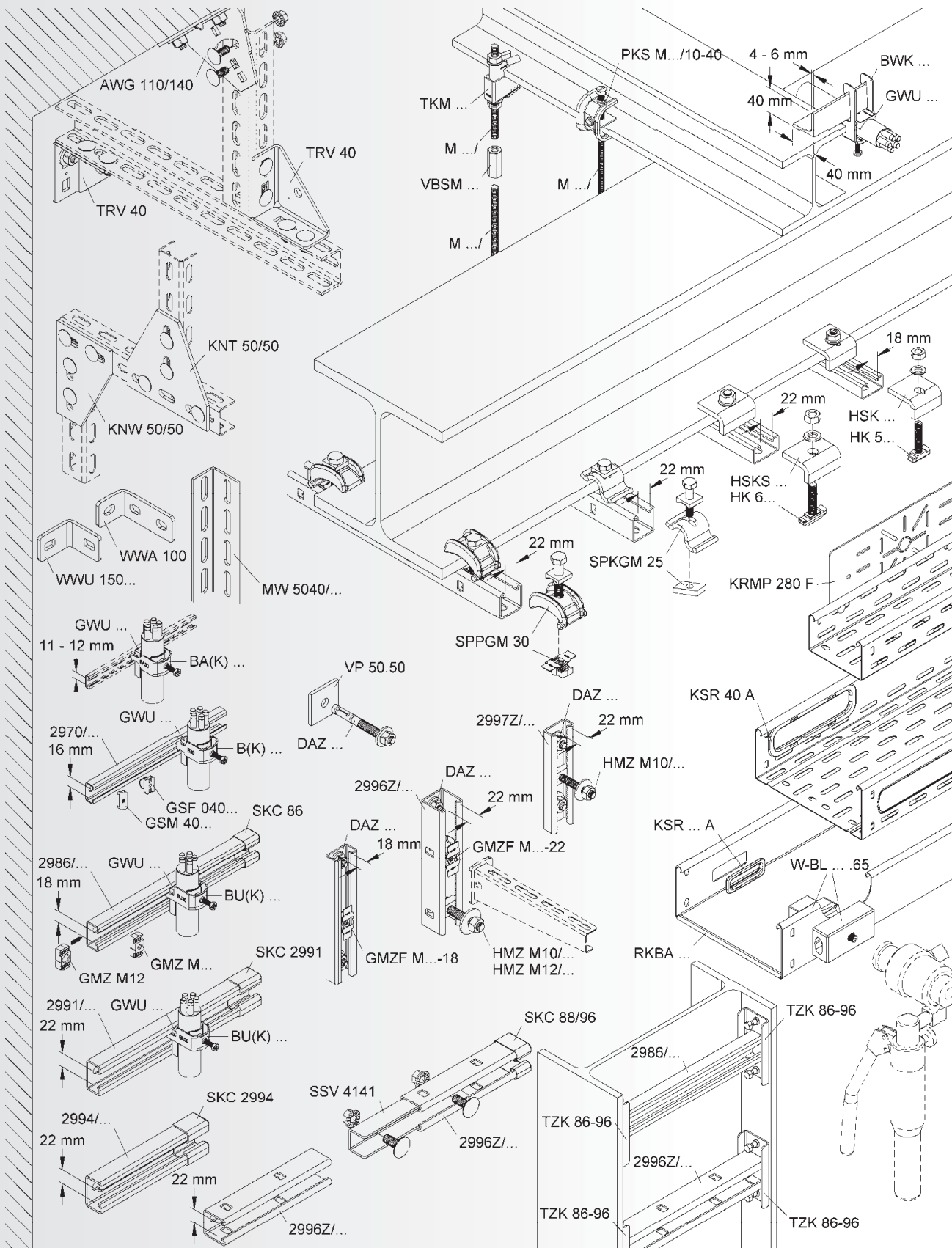


Channels, Rails, Clamps and Accessories

ACCESSORIES	2970 Framing Channel	2970/...	Page 140
	Sloped Sliding Nut	GSM... , GSF...	Page 140
	2986 Framing Channel	2986/...	Page 140
	Protective End Cap	SKC 86	Page 141
★	2997Z Framing Channel	2997Z/...	Page 141
	2991 Framing Channel	2991/...	Page 141
	Protective End Cap	SKC 2991	Page 141
	2994 Framing Channel	2994/...	Page 142
	Protective End Cap	SKC 2994	Page 142
	2996Z Toothed Framing Channel	2996Z/...	Page 142
	Protective End Cap	SKC 88/96	Page 142
	Inside Strut Joiner	SSV 4141 F	Page 143
	Channel Nut	GMZ...	Page 143
	Gripping Channel Nut	GMZF...	Page 143/144
	Hook Head Bolt	HK...	Page 144/145
★	Hammer Head Bolt	HMZ...	Page 145
	Beam Clamp	HSK..., HSKS...	Page 146
	I-Beam Clamping Assembly	SPKM 25 F / SPKGM 25 F	Page 146/147
	Heavy Duty I-Beam Clamping Assembly	SPPM 30 F / SPPGM...	Page 147/148
	Two Hole Corner Angle	WWU 150...	Page 148/149
	Three Hole Corner Angle	WWA 100...	Page 149
	Four Hole Corner Gusset Plate	KNW 50/50	Page 149
	Five Hole Tee Gusset Plate	KNT 50/50	Page 149
	Shelf Bracket	TRV 40...	Page 149
	Adjustable Corner Bracket	AWG 110/140...	Page 150
	Slotted Angle Iron	MW 5040/4500 FL	Page 150
	Heavy Duty Square Washer / Anchor Plate	VP 50.50	Page 150
	Column Support Bracket	TZK 86-96 S	Page 150
	Hammerset Flange Clamp	TKM...	Page 151
	Flange Clamp	PKS...	Page 151
	Beam Clamp with Locknut	FC...	Page 151
	Hammerset Flange Clip	AH... , EH...	Page 152
	Hex Head Bolt	SK...	Page 153
★	Socket Cap Bolt	M...	Page 153
★	Serrated Flange Nut	SMF...	Page 153
	Hex Head Bolt with Nut	SKM...	Page 153/154
	Carriage Bolt with Nut	FLM...	Page 154
	Carriage Bolt with Shaft and Nut	FLDM...	Page 154
	Threaded Rod	M 6/..., M 8/..., M 10/..., M 12/...	Page 154/155
	Large Diameter Washer	UGM...	Page 155
	Hexagonal Nut	SMU...	Page 155
	Hexagonal Rod Coupling	VBSM...	Page 156
	Serrated Washer	ZS...	Page 156
	Expansion Anchor	DAM..., DAZ...	Page 156
	Concrete Screw Anchor	NSA...	Page 157
	Edge Protection Strip	RKBA...	Page 157
	Edge Protection Ring	KSR...	Page 158
	Punch and Die Set for Hydraulic Tools	W-BL...	Page 158
★	Mounting Plate, Universal Mounting Plate	RMP 130..., KRMP 280 F	Page 158
	Yoke-Clamp	BA..., BAK..., B...	Page 159
	Yoke-Clamp	BK..., BU..., BUK..., BWK...	Page 160/161
	Counter Pressure Cradle for all Yoke-Clamps	GWU...	Page 161



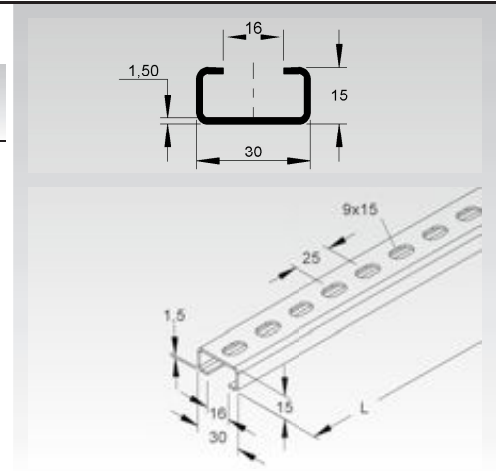


SUPPORT SYSTEM

2970 Framing Channel

slot width 16 mm, perforated, according to DIN EN 60715 standard

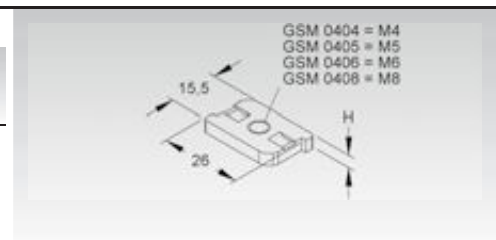
	Model no.	Length L		Perforation	Distance between drill holes		Weight per 100 m kg	Pack/ Box Qty
		mm	Inch		mm	mm Inch		
G	2970/2 GL	2000	78,7	9x15	25	1	69,94	10 x 2 m
S	2970/2 SL	2000	78,7	9x15	25	1	69,94	10 x 2 m



Sloped Sliding Nut

	Model no.	Thread M	Height H		Weight per 100 pc. kg	Pack/ Box Qty
			mm	Inch		
G	GSM 0406	6	4	0,2	1,04	50
G	GSM 0408	8	4	0,2	0,99	50

Suitable for: framing channel 2970... (16 mm slotwidth)
Insertable at any position of the framing channel.

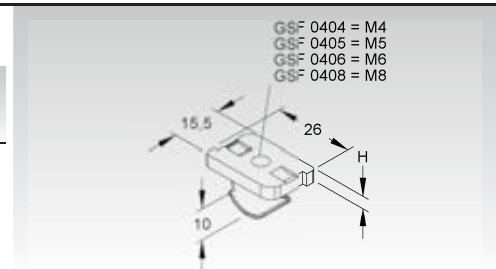


Sloped Sliding Nut

with clamping spring

	Model no.	Thread M	Height H		Weight per 100 pcs kg	Pack/ Box Qty
			mm	Inch		
G	GSF 0406	6	4	0,2	1,04	25
G	GSF 0408	8	4	0,2	1,02	25

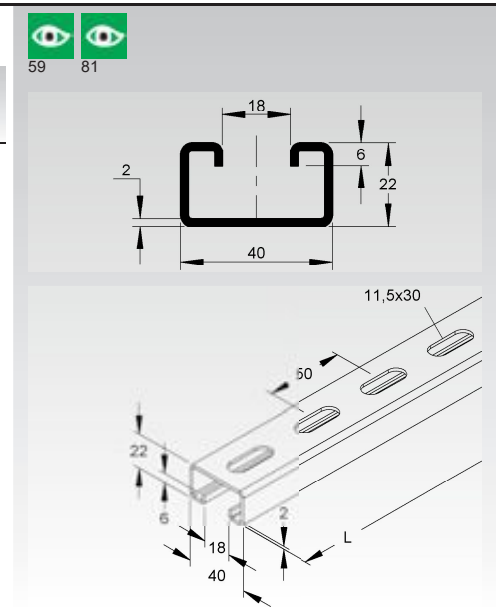
Suitable for: framing channel 2970... (16 mm slotwidth)
Insertable at any position of the framing channel.



2986 Framing Channel

C-profile, slot width 18 mm, perforated, according to DIN EN 60715 standard

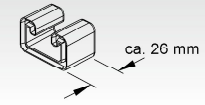
	Model no.	Length L		Perforation	Distance between drill holes		Weight per 100 m/ kg	Pack/ Box Qty
		mm	Inch		mm	mm Inch		
S	2986/200 SL	200	7,9	11,5x30	50	2	29,81	1
S	2986/300 SL	300	11,8	11,5x30	50	2	44,72	1
S	2986/400 SL	400	15,7	11,5x30	50	2	59,63	1
S	2986/500 SL	500	19,7	11,5x30	50	2	74,53	1
S	2986/600 SL	600	23,6	11,5x30	50	2	89,44	1
S	2986/700 SL	700	27,6	11,5x30	50	2	104,35	1
S	2986/3 SL	3000	118,1	11,5x30	50	2	149,10	5 x 3 m
F	2986/3 FL	3000	118,1	11,5x30	50	2	163,97	5 x 3 m
E3	2986/3 E3L	3000	118,1	11,5x30	50	2	150,02	5 x 3 m



Protective End Cap

Model no.	Color	Weight per 100 pcs kg	Pack/Box Qty
K03 SKC 86	yellow	0,79	20

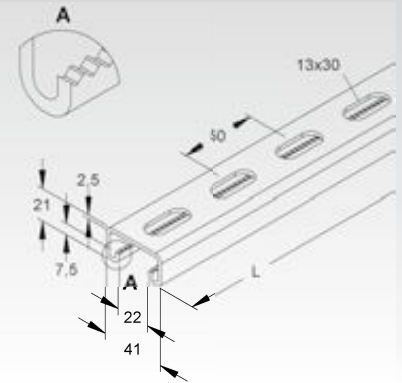
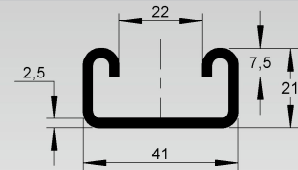
Suitable for: framing channel 2986...



2997Z Framing Channel

C-profile, slot width 22 mm, perforated

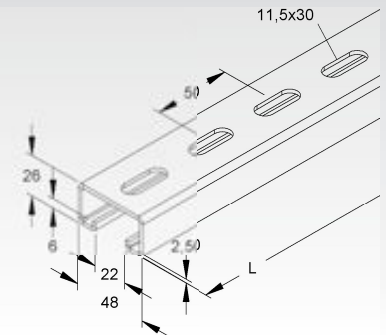
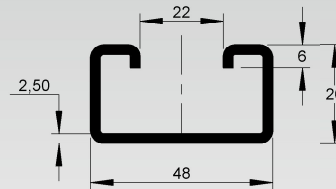
Model no.	Length L	Perforation	Distance between drill holes	Weight per 100	Pack/Box Qty
	mm Inch	mm	mm Inch	kg	
* F 2997Z/3 FL	3000 118,1	13x30	50 2	184,33	3 m
* F 2997Z/6 FL	6000 236,2	13x30	50 2	184,33	6 m



2991 Framing Channel

slot width 22 mm, perforated

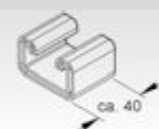
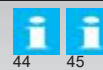
Model no.	Length L	Perforation	Distance between drill holes	Weight per 100 m/ kg	Pack/Box Qty
	mm Inch	mm	mm Inch		
F 2991/200 FL	200 7,9	11,5x30	50 2	48,06	1
F 2991/300 FL	300 11,8	11,5x30	50 2	72,08	1
F 2991/400 FL	400 15,7	11,5x30	50 2	96,10	1
F 2991/500 FL	500 19,7	11,5x30	50 2	120,10	1
F 2991/600 FL	600 23,6	11,5x30	50 2	144,17	1
F 2991/700 FL	700 27,6	11,5x30	50 2	168,19	1
F 2991/3 FL	3000 118,1	11,5x30	50 2	240,27	5 x 3 m



Protective End Cap

Model no.	Color	Weight per 100 kg	Pack/Box Qty
K10 SKC 2991	yellow	2,33	10

Suitable for: framing channel 2991...

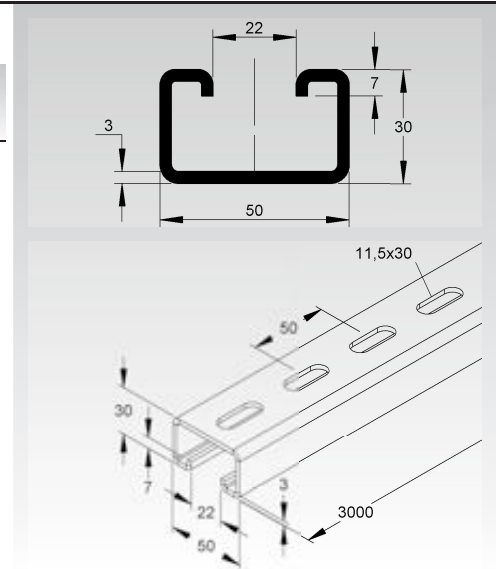


SUPPORT SYSTEM

2994 Framing Channel

C-profile, slot width 22 mm, perforated, according to DIN EN 60715 standard

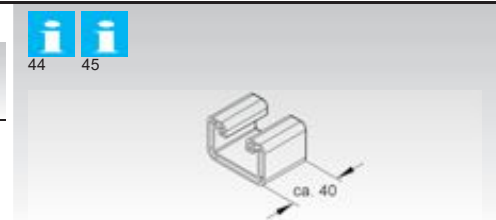
	Model no.	Length L		Perforation mm	Distance between drill holes		Weight per 100 kg	Pack/ Box Qty
		mm	Inch		mm	Inch		
F	2994/3 FL	3000	118,1	11,5x30	50	2	311,82	2 x 3 m
F	2994/6 FL	6000	236,2	11,5x30	50	2	311,82	6 m



Protective End Cap

	Model no.	Color	Weight per 100 kg	Pack/ Box Qty

Suitable for: framing channel 2994...

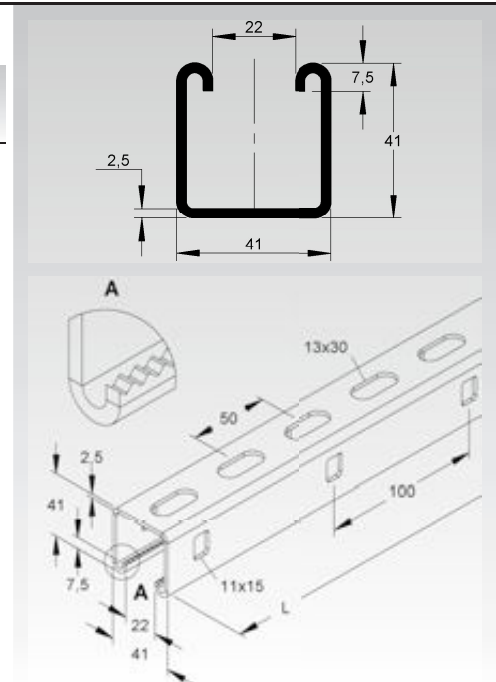


2996Z Toothed Framing Channel

slot width 22 mm, perforated

	Model no.	Length L		Perforation mm	Distance between drill holes mm Inch	Dimension siderail holes mm	Distance between siderail holes mm Inch	Weight per 100 m kg	Pack/ Box Qty
		mm	Inch						
F	2996Z/3 FL	3000	118,1	13x30	50 2	11x15	100 3,9	265,10	3 m
F	2996Z/6 FL	6000	236,2	13x30	50 2	11x15	100 3,9	265,20	6 m
E3	2996Z/3 E3L	3000	118,1	13x30	50 2	11x15	100 3,9	242,25	3 m
E3	2996Z/6 E3L	6000	236,2	13x30	50 2	11x15	100 3,9	242,25	6 m

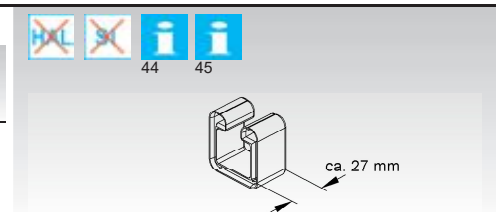
The combination of the toothed channel with the GMZ M... channel nuts guarantees higher load ratings.



Protective End Cap

	Model no.	Color	Weight per 100 pcs kg	Pack/ Box Qty

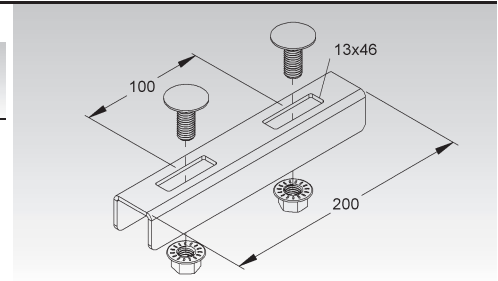
Suitable for: framing channel 2996Z...



Inside Strut Joiner

Model no.	Acc. incl.	Weight per 100 pcs kg	Pack/Box Qty
F SSV 4141 F	2 FLM 12x30 F	55,28	1

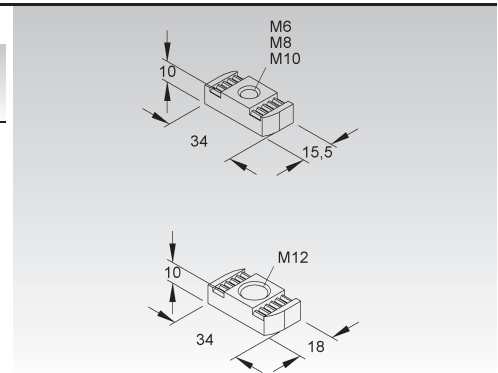
Suitable for: framing channel 2996Z...



Channel Nut

Model no.	Thread M	Strength category	Weight per 100 pcs kg	Pack/Box Qty
F GMZ M6 F	6	8	3,5	100
F GMZ M8 F	8	8	3,3	100
F GMZ M10 F	10	8	3,2	100
F GMZ M12 F	12	8	3,5	100

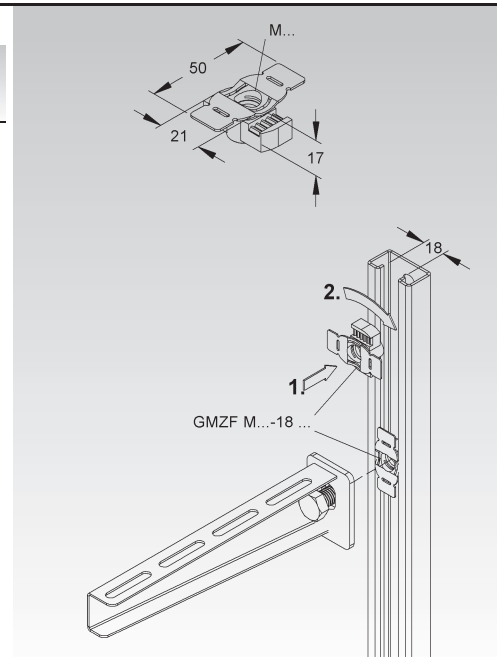
Suitable for: framing channel 2986... (18 mm slotwidth), 2996Z... and 2997Z... (22 mm slotwidth)
The GMZ M12 F can only be inserted from the end of the 2986... framing channel.



Gripping Channel Nut

Model no.	Thread M	Strength category	Weight per 100 pcs kg	Pack/Box Qty
F GMZF M6-18 F	6	8	3,66	100
F GMZF M8-18 F	8	8	3,52	100
F GMZF M10-18 F	10	8	3,36	100
F GMZF M12-18 F	12	8	3,71	100
E5 GMZF M6-18 E5	6	1.4571	3,72	100
E5 GMZF M8-18 E5	8	1.4571	3,58	100
E5 GMZF M10-18 E5	10	1.4571	3,41	100
E5 GMZF M12-18 E5	12	1.4571	3,77	100

Suitable for: framing channel 2986... (18 mm slotwidth)
The GMZF M12-18 F can only be inserted from the end of the 2986... framing channel.

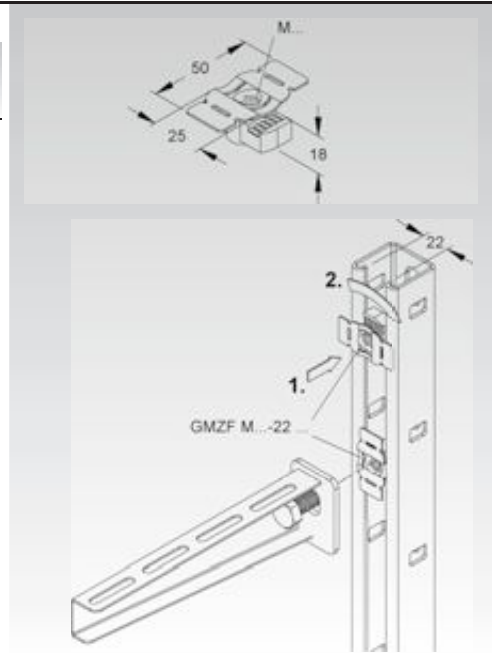


Gripping Channel Nut

Model no.	Thread M	Strength category	Weight per 100 pcs kg	Pack/Box Qty
F GMZF M6-22 F	6	8	3,70	100
F GMZF M8-22 F	8	8	3,57	100
F GMZF M10-22 F	10	8	3,40	100
F GMZF M12-22 F	12	8	3,76	100
E5 GMZF M6-22 E5	6	1.4571	3,76	100
E5 GMZF M8-22 E5	8	1.4571	3,62	100
E5 GMZF M10-22 E5	10	1.4571	3,45	100
E5 GMZF M12-22 E5	12	1.4571	3,81	100

Suitable for: framing channel 2996Z... and 2997Z... (22 mm slotwidth)

The GMZF... gripping channel nuts can be positioned exactly and are locking securely into the toothed channel.

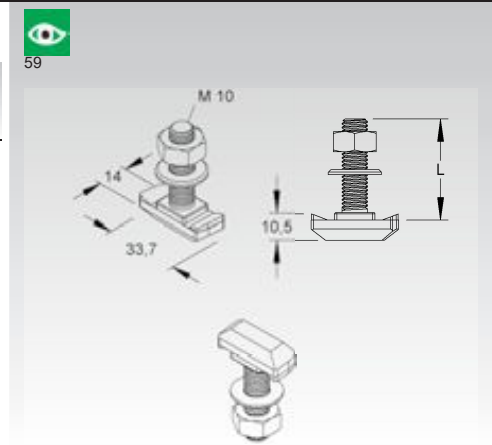


Hook Head Bolt, size M10

nut and washer included

Model no.	Length L		Strength category	Weight per 100 pcs/kg	Pack/Box Qty
	mm	Inch			
V HK 510/30	30	1,2	4.6	5,00	100
V HK 510/50	50	2	4.6	6,05	50
F HK 510/30 F	30	1,2	4.6	5,00	100
F HK 510/50 F	50	2	4.6	6,05	50
F HK 510/80 F	80	3,1	4.6	7,60	50

Suitable for: framing channel 2986... (18 mm slotwidth)

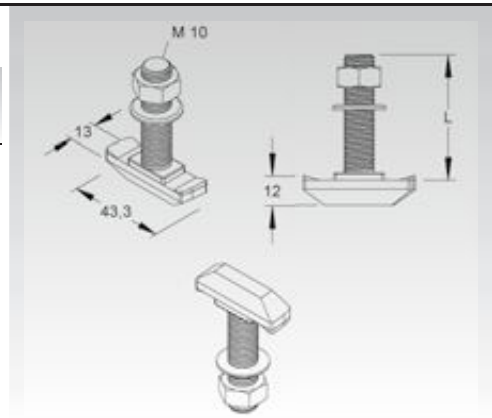


Hook Head Bolt, size M10

nut and washer included

Model no.	Length L		Strength category	Weight per 100 pcs/pc. kg	Pack/Box Qty
	mm	Inch			
V HK 610/30	30	1,2	4.6	6,00	100
V HK 610/40	40	1,6	4.6	6,55	100
V HK 610/50	50	2	4.6	7,10	50
V HK 610/80	80	3,1	4.6	8,65	50
F HK 610/30 F	30	1,2	4.6	6,00	100
F HK 610/50 F	50	2	4.6	7,10	50
F HK 610/80 F	80	3,1	4.6	8,65	50

Suitable for: framing channel 2991... (22 mm slotwidth)

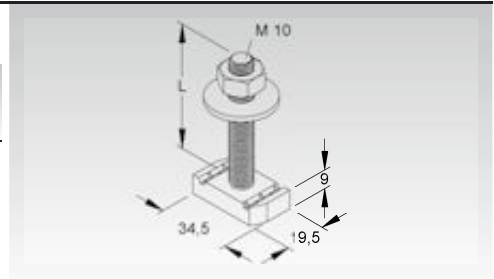


Hammer Head Bolt, size M10

with tothing, incl. hexagon nut and washer according to DIN EN ISO 7093-1

	Model no.	Length L		Strength category	Weight per 100	Pack/Box Qty	
		mm	Inch				
★	F	HMZ M10/30 F	30	1,2	4,6	7,67	100
★	F	HMZ M10/60 F	60	2,4	4,6	9,57	100
★	F	HMZ M10/80 F	80	3,1	4,6	10,77	100

Suitable for: framing channel 2996Z... and 2997Z... (22 mm slotwidth)
Insertable at any position of the framing channel.

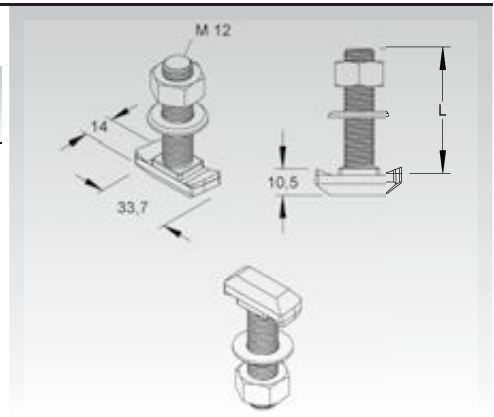


Hook Head Bolt, size M12

nut and washer included

	Model no.	Length L		Strength category	Weight per 100 pcs/ kg	Pack/Box Qty	
		mm	Inch				
	F	HK 512/30 F	30	1,2	4,6	8,0	100
	F	HK 512/50 F	50	2	4,6	9,0	50
	F	HK 512/80 F	80	3,1	4,6	11,5	50

Suitable for: framing channel 2986... (18 mm slotwidth)

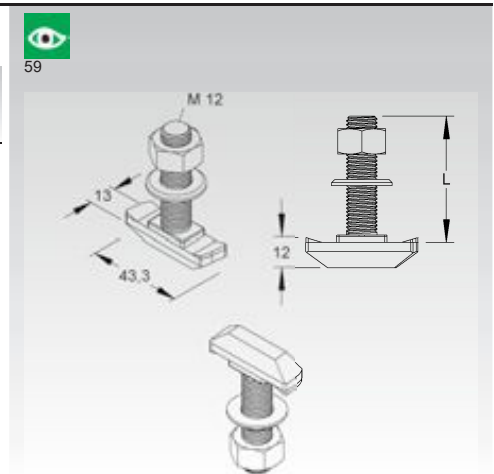


Hook Head Bolt, size M12

nut and washer included

	Model no.	Length L		Strength category	Weight per 100 pcs/pc./ kg	Pack/Box Qty	
		mm	Inch				
	V	HK 612/30	30	1,2	4,6	8,0	100
	V	HK 612/50	50	2	4,6	9,5	50
	V	HK 612/80	80	3,1	4,6	12,0	50
	F	HK 612/30 F	30	1,2	4,6	8,0	100
	F	HK 612/50 F	50	2	4,6	9,5	50
	F	HK 612/80 F	80	3,1	4,6	12,0	50

Suitable for: framing channel 2991... (22 mm slotwidth)

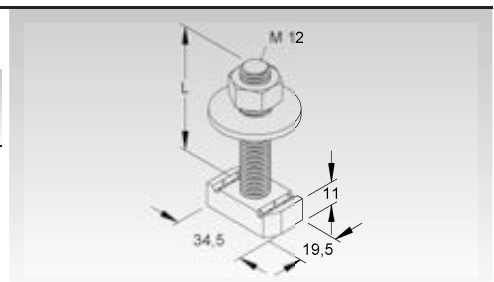


Hammer Head Bolt, size M12

with tothing, incl. hexagon nut and washer according to DIN EN ISO 7093-1

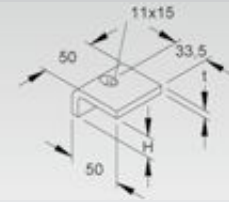
	Model no.	Length L		Strength category	Weight per 100	Pack/Box Qty	
		mm	Inch				
★	F	HMZ M12/30 F	30	1,2	4,6	9,46	100
★	F	HMZ M12/60 F	60	2,4	4,6	11,96	100
★	F	HMZ M12/80 F	80	3,1	4,6	13,76	100

Suitable for: framing channel 2996Z... (22 mm slotwidth)
Insertable at any position of the framing channel.



Beam Clamp

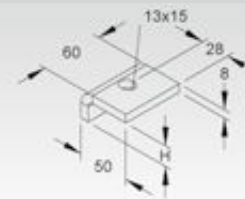
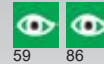
Model no.	Height H mm Inch	Thick- ness t mm	Flange thickness t mm	Weight per 100 pcs kg	Pack/ Box Qty
F HSK 10	10 0,4	7	5 - 9	16,28	50
F HSK 15	15 0,6	7	10 - 14	17,80	50
F HSK 20	20 0,8	7	15 - 19	19,31	50
F HSK 25	25 1	7	20 - 24	20,81	50
F HSK 30	30 1,2	7	25 - 29	22,33	50
F HSK 35	35 1,4	7	30 - 34	23,84	50
F HSK 40	40 1,6	7	35 - 39	25,36	50
E3 HSK 10 E3	10 0,4	6	5 - 9	12,84	10
E3 HSK 15 E3	15 0,6	6	10 - 14	14,02	10
E3 HSK 20 E3	20 0,8	6	15 - 19	15,21	10
E3 HSK 25 E3	25 1	6	20 - 24	16,39	10
E3 HSK 30 E3	30 1,2	6	25 - 29	17,58	10
E3 HSK 35 E3	35 1,4	6	30 - 34	18,76	10
E3 HSK 40 E3	40 1,6	6	35 - 39	19,95	10



Beam Clamp

heavy-duty version

Model no.	Height H mm Inch	Flange thickness t mm	Weight per 100 pcs kg	Pack/ Box Qty
F HSKS 10	10 0,4	5 - 9	22,17	25
F HSKS 15	15 0,6	10 - 14	24,24	25
F HSKS 20	20 0,8	15 - 19	26,32	25
F HSKS 25	25 1	20 - 24	28,39	25
F HSKS 30	30 1,2	25 - 29	30,46	25
F HSKS 35	35 1,4	30 - 34	32,53	25
F HSKS 40	40 1,6	35 - 39	34,61	25

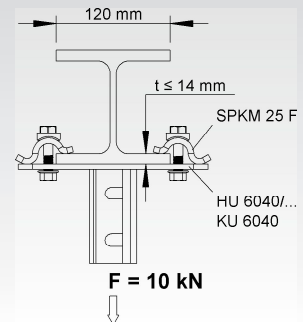
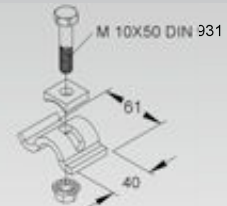


I-Beam Clamping Assembly

Model no.	Flange thickness t mm	Acc. incl.	Weight per 100 kg	Pack/ Box Qty
F SPKM 25 F	0 - 14	1 SK 10X50 DIN 931	44	10

for attaching headplates or hangers directly to I-beams

M10... tightening torque 46 Nm, 16 mm metric wrench.



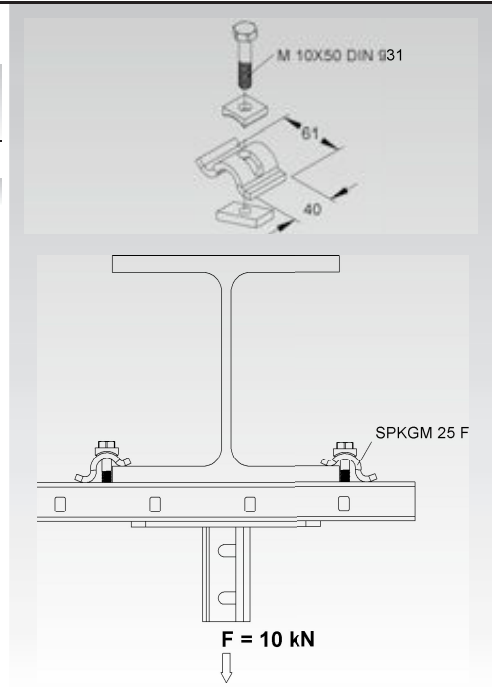
I-Beam Clamping Assembly

with sliding nut

Model no.	Flange thickness (t) 2986 mm	Flange thickness (t) 2988/2996 mm	Acc. incl.	Weight per 100 kg	Pack/ Box Qty
F SPKGM 25 F	7 - 11	0 - 10	1 SK 10X50 DIN 931	47,3	10

for attaching C-rails-mounted headplates or hangers to I-beams

M10... tightening torque 46 Nm, 16 mm metric wrench.

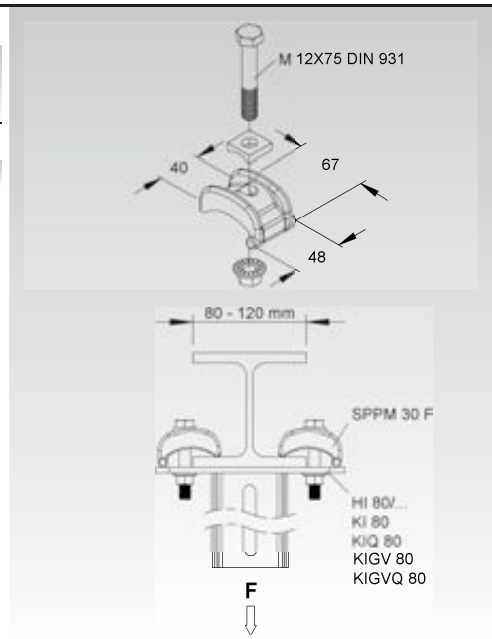
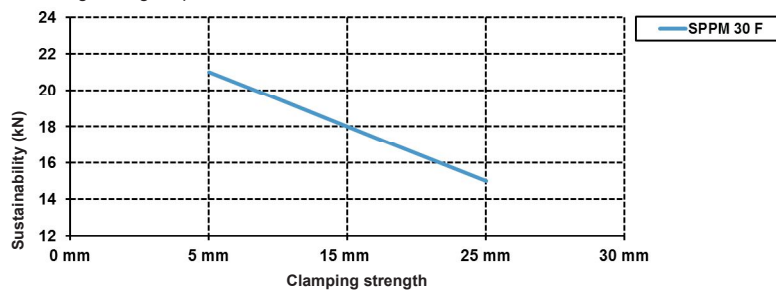


Heavy Duty I-Beam Clamping Assembly

Model no.	Flange thickness t mm	Acc. incl.	Weight per 100 kg	Pack/ Box Qty
F SPPM 30 F	0 - 25	1 SK 12X75 DIN 931	80	10

for attaching headplates or hangers directly to I-beams

M12... tightening torque 84 Nm, 18 mm metric wrench.



SUPPORT SYSTEM

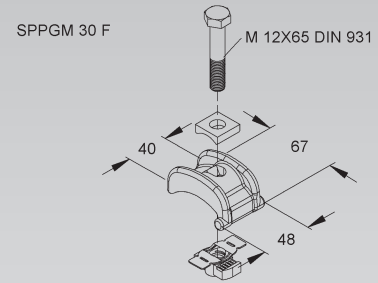
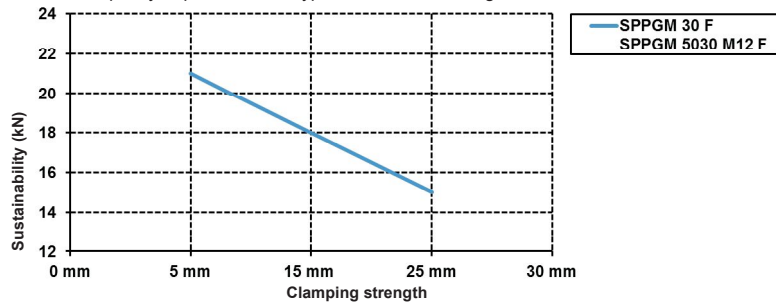
Heavy Duty I-Beam Clamping Assembly

Model no.	Flange thickness t mm	Acc. incl.	Weight per 100 kg	Pack/Box Qty
F SPPGM 30 F	0 - 25	1 SK 12X65 DIN 931	82,00	10
F SPPGM 5030 M12 F	0 - 25	1 SK 12X65 DIN 931	78,77	10

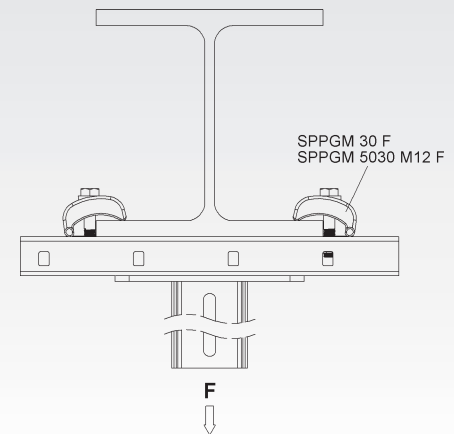
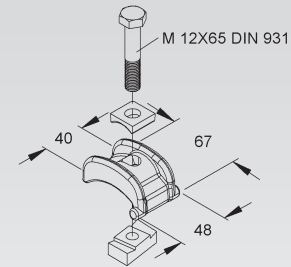
for attaching C-rail-mounted headplates or hangers to I-beams please use SPPGM 30 F for 2996Z... and SPPGM 5030 M12 F for 2991... and 2994... framing channel

M12... tightening torque 84 Nm, 18 mm metric wrench.

The load capacity depends on the type of rail and the flange width of the I-beam.



SPPGM 5030 M12 F

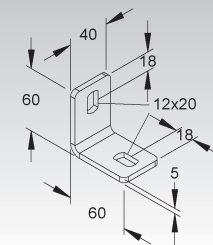


Two Hole Corner Angle

Model no.	Acc. incl.	Weight per 100 pcs kg	Pack/Box Qty
F WWU 150	1 FLM 10X25 F	21,03	50

for floor-, ceiling- or wall-mounting

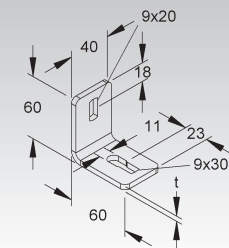
Suitable for: U-profiles U 4530/..., U 5050/... and U 6040/...



Two Hole Corner Angle

Model no.	Thick-ness t mm	Acc. incl.	Weight per 100 pcs kg	Pack/Box Qty
F WWU 150/8	5	1 FLM 8X16 F	19,11	50

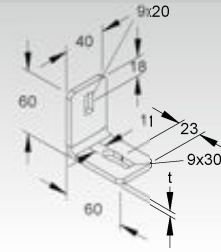
for floor-, ceiling- or wall-mounting



Two Hole Corner Angle

Model no.	Thick-ness t mm	Acc. incl.	Weight per 100 pcs kg	Pack/ Box Qty
E3 WWU 150/8 E3	4	1 FLM 8X16 E3	14,87	50

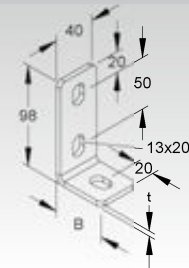
for floor-, ceiling- or wall-mounting



Three Hole Corner Angle

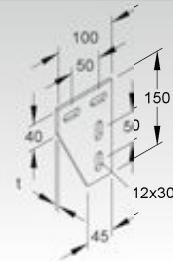
Model no.	Width B		Thick-ness t mm	Acc. incl.	Weight per 100 pcs kg	Pack/ Box Qty
	mm	Inch				
F WWA 100	50,0	2	5	1 FLM 10X25 F	24,98	50
E3 WWA 100 E3	48,5	1,9	4	1 FLM 10X25 E3	19,42	50

for floor-, ceiling- or wall-mounting



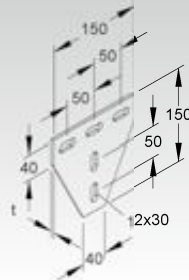
Four Hole Corner Gusset Plate

Model no.	Thick-ness t mm	Acc. incl.	Weight per 100 kg	Pack/ Box Qty
F KNW 50/50	5	4 FLM 10X25 F	43	1



Five Hole Tee Gusset Plate

Model no.	Thick-ness t mm	Acc. incl.	Weight per 100 kg	Pack/ Box Qty
F KNT 50/50	5	4 FLM 10X25 F	79,92	1



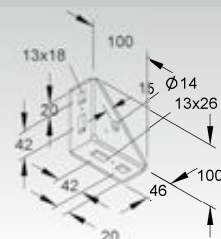
Shelf Bracket

Model no.	Weight per 100 pcs kg	Pack/ Box Qty
F TRV 40	41,1	10
E3 TRV 40 E3	40,5	10

for floor-, ceiling- or wall-mounting

Suitable for: profile U 5050/..., U 6040/... and framing channels

Hardware is not included.



SUPPORT SYSTEM

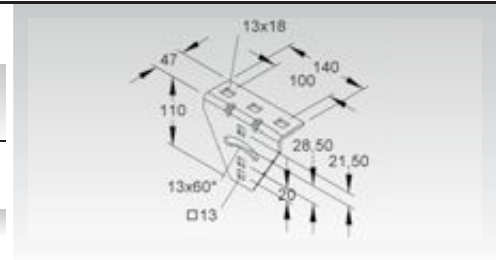
Adjustable Corner Bracket

adjustable from -30° to +30°

Model no.	Acc. incl.	Weight per 100 pcs kg	Pack/Box Qty
F AWG 110/140	2 FLM 10X25 F	58,40	10
E3 AWG 110/140 E3	2 FLM 10X25 E3	54,61	10

for mounting on inclined ceilings

Suitable for: U-profiles and framing channels

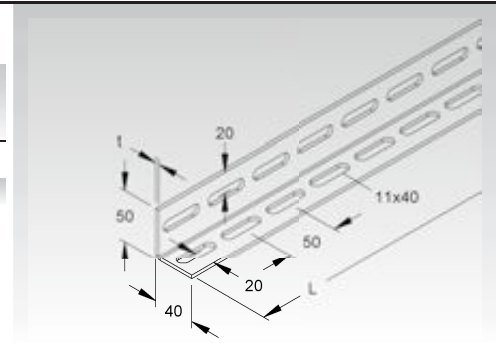


Slotted Angle Iron

asymmetrical heavy-duty profile

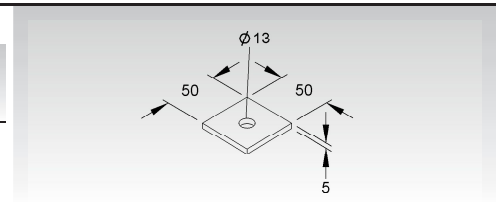
Model no.	Thickness t mm	Length L mm Inch	Weight per 100 kg	Pack/Box Qty
F MW 5040/4500 FL	3,5	4500 177,2	974,58	1

all purpose framing system for electrical and mechanical supports



Heavy Duty Square Washer/Anchor Plate

Model no.	Height H mm Inch	Width B mm Inch	Weight per 100 pcs kg	Pack/Box Qty
F VP 50.50	50 2	50 2	10,34	20

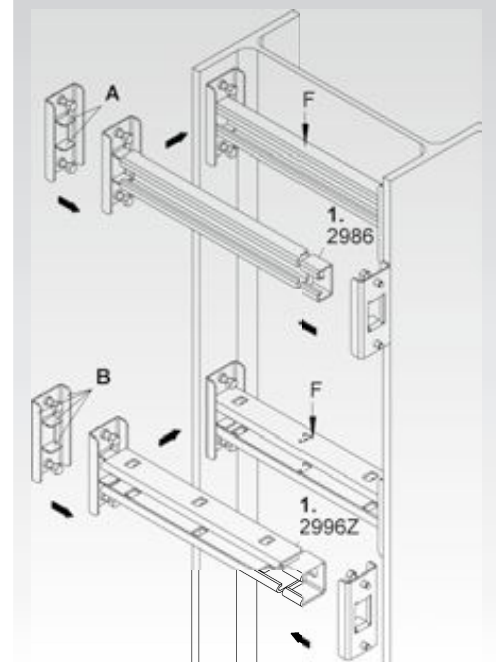
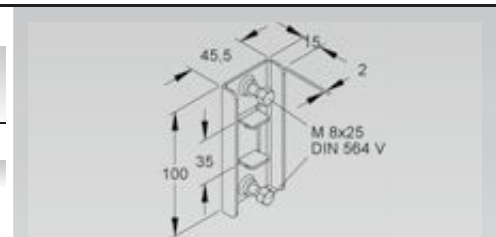


Column Support Bracket

Model no.	Width B mm Inch	Length L mm Inch	Thickness t mm	Max. load F at flange distance of I-beam/2 kN	Acc. incl.	Weight per 100 kg	Pack/Box Qty
S TZK 86-96 S	45,5 1,8	100 3,9	2	0,5	4 SK 8X25 V	24,74	10

for clamping channels in between I-beam flanges

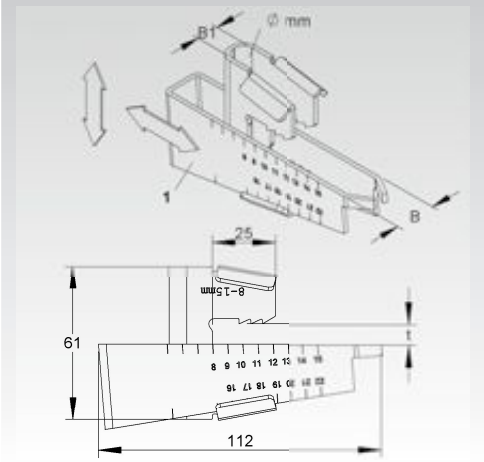
Suitable for: framing channel 2986..., 2996Z..., and 2997Z...



Hammerset Flange Clamp

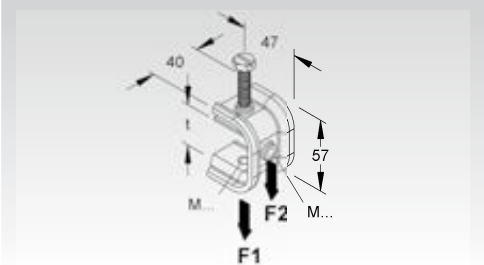
Model no.	Width B mm Inch	Width B1 mm Inch	Threading rod-Ø mm	Thickness of flange (t) mm	Vertical nominal load F kN	Weight per 100 kg	Pack/Box Qty
S TKM 1	17,5 0,7	8,5 0,3	≤ M8	8-20	2,0	16,5	25
S TKM 2	19,5 0,8	10,5 0,4	≤ M10	8-20	3,6	16,7	25
S TKM 3	21,5 0,8	12,5 0,5	≤ M12	8-20	5,0	17,4	25

for attaching threaded rod to flanges of horizontal I-beams (flange thickness: min. 8, max. 20 mm)



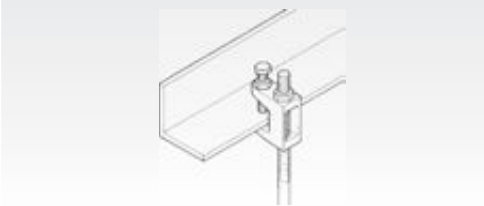
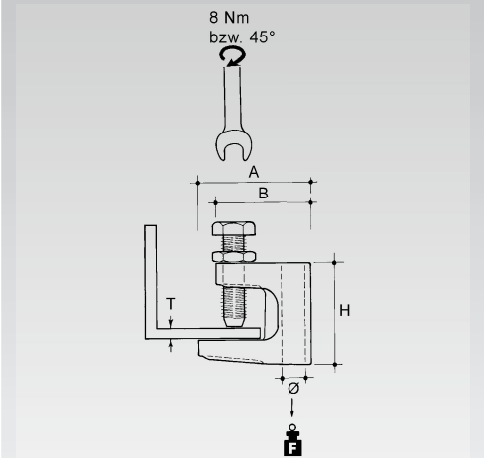
Flange Clamp

Model no.	Thickness of flange (t) mm	Thread M	Vertical nominal load F1 kN	Vertical nominal load F2 kN	Weight per 100 kg	Pack/Box Qty
F PKS M6/10-40 F	6 - 35	6	1,8	1,6	20,27	25
F PKS M8/10-40 F	6 - 35	8	1,8	1,6	21,20	25
E3 PKS M8/10-40 E3	6 - 35	8	1,8	1,6	19,40	25



Beam Clamp with Locknut

Model no.	Flange thickness T mm	Ø	Thigh width A mm	Height H mm Inch	Width B mm Inch	Max. load F kN	Weight per 100 kg	Pack/Box Qty
F1 FC-7	1 - 19	7	50	45 1,8	42 1,7	2,35	15,6	25
F1 FC-9	1 - 19	9	50	45 1,8	42 1,7	2,35	14,8	25
F1 FC-11	1 - 19	11	50	45 1,8	42 1,7	2,35	14,8	25
F1 FC-13	1 - 23	13	59	54 2,1	49 1,9	3	14,4	25
F1 FC-6T	1 - 19	M6	50	45 1,8	42 1,7	2,35	15,6	25
F1 FC-8T	1 - 19	M8	50	45 1,8	42 1,7	2,35	15,2	25
F1 FC-10T	1 - 19	M10	50	45 1,8	42 1,7	2,35	15,2	25
F1 FC-12T	1 - 23	M12	59	54 2,1	49 1,9	3	22,8	25

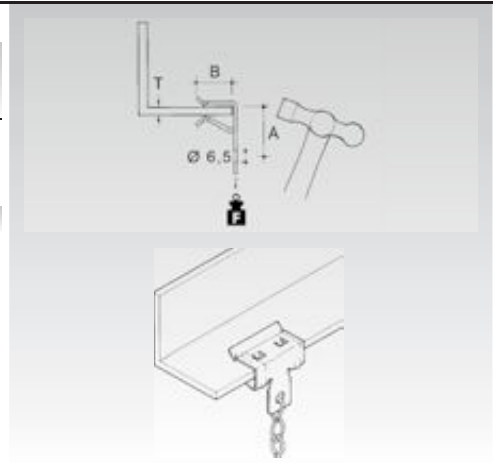


SUPPORT SYSTEM

Hammerset Flange Clip

Model no.	Flange thickness T mm	Distance between drilling holes A mm	Impact depth mm	Max. load F kN	Weight per 100 pc kg	Pack/Box Qty
F8 AH-38	3 - 8	18	20,3	0,9	1,6	100
F8 AH-814	8 - 14	26	20,3	0,9	1,6	100
F8 AH-1420	14 - 20	30	26,6	0,9	1,8	100

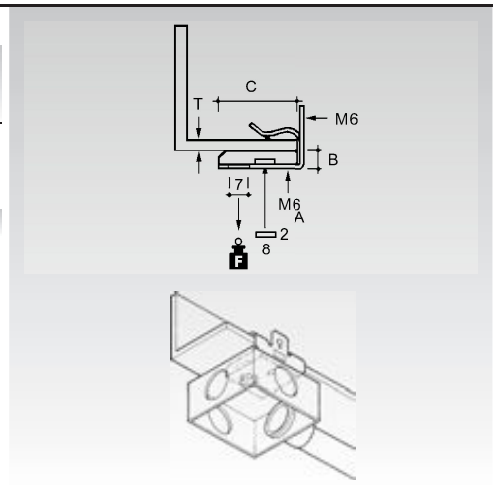
with 6.5 mm hole for chain or wire



Hammerset Flange Clip

Model no.	Flange thickness T mm	Mounting distance mm	Clamping depth mm	Max. load F kN	Weight per 100 pc kg	Pack/Box Qty
F8 EH-38	3 - 8	7,5	33	0,45	2,4	100
F8 EH-814	8 - 14	7,5	33	0,45	2,6	100
F8 EH-1420	14 - 20	7,5	33	0,45	3,1	100

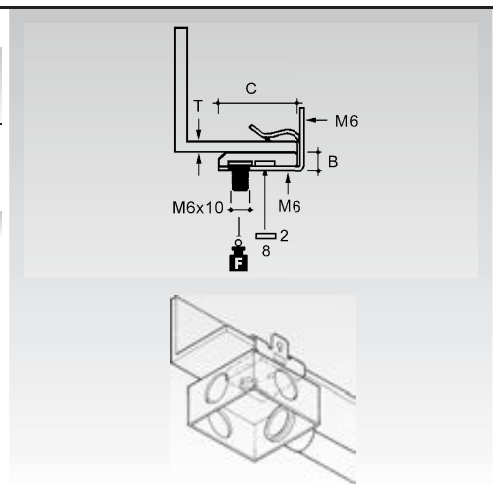
with M6 thread



Hammerset Flange Clip

Model no.	Flange thickness T mm	Mounting distance mm	Clamping depth mm	Max. load F kN	Weight per 100 pc kg	Pack/Box Qty
F8 EH-38S	3 - 8	7,5	33	0,45	2,8	100
F8 EH-814S	8 - 14	7,5	33	0,45	2,9	100
F8 EH-1420S	14 - 20	7,5	33	0,45	3,4	100

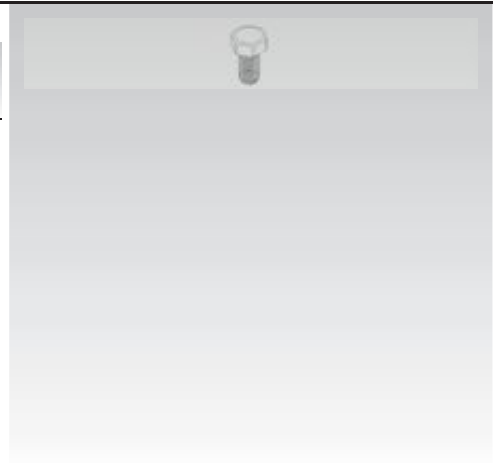
with M6X10 stud



Hex Head Bolt

Model no.	Length L	Strength category	Wrench size	Thread M	Weight per 100 pcs/ kg	Pack/ Box Qty
V SK 8X16 V	16 0,6	8.8	13	—	1,11	100
V SK 10X25 V	25 1	8.8	17/16	—	2,37	100
F SK 8X25 F	25 1	8.8	13	—	1,39	100
F SK 10X25 F	25 1	8.8	—	10	2,55	100
F SK 10X35 F	35 1,4	8.8	—	10	2,87	100
F SK 10X50 F	50 2	8.8	—	10	3,82	100
F SK 10X60 F	60 2,4	8.8	—	10	4,44	100
E3 SK 8X30 E3	30 1,2	1.4301	—	8	1,56	100
E3 SK 10X30 E3	30 1,2	1.4301	—	10	2,62	100

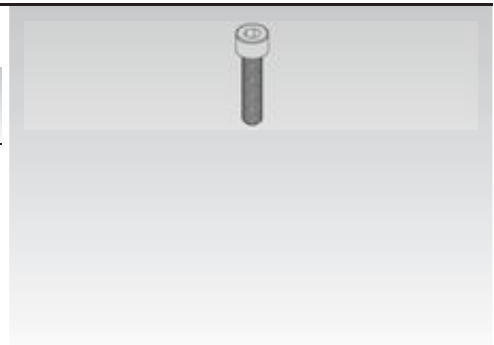
Please maintain proper tightening torque of bolts/nuts especially for all vertical clamping connections.
SK 8..., tightening torque 24 Nm, 13 mm metric wrench
SK10..., tightening torque 48 Nm, 17/16 mm metric wrench



Socket Cap Bolt

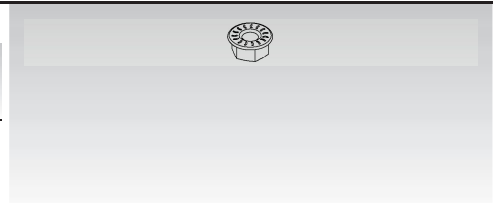
with allen wrench drive

Model no.	Thread M	Length L	Strength category	Weight per 100 kg	Pack/ Box Qty
V M 6X25 912-8.8 V	6	25 1	8.8	0,76	200
V M 6X35 912-8.8 V	6	35 1,4	8.8	0,99	200
V M 8X25 912-8.8 V	8	25 1	8.8	1,50	200
V M 8X35 912-8.8 V	8	35 1,4	8.8	1,89	200
V M 8X50 912-8.8 V	8	50 2	8.8	2,49	200
V M 10X25 912-8.8 V	10	25 1	8.8	2,54	200
V M 10X35 912-8.8 V	10	35 1,4	8.8	3,04	200
V M 10X50 912-8.8 V	10	50 2	8.8	3,93	200



Serrated Flange Nut

Model no.	Thread M	Weight per 100 pc/ kg	Pack/ Box Qty
V SMF M6 1661 V	6	0,31	200
V SMF M8 1661 V	8	0,71	200
V SMF M10 1661 V	10	1,15	200

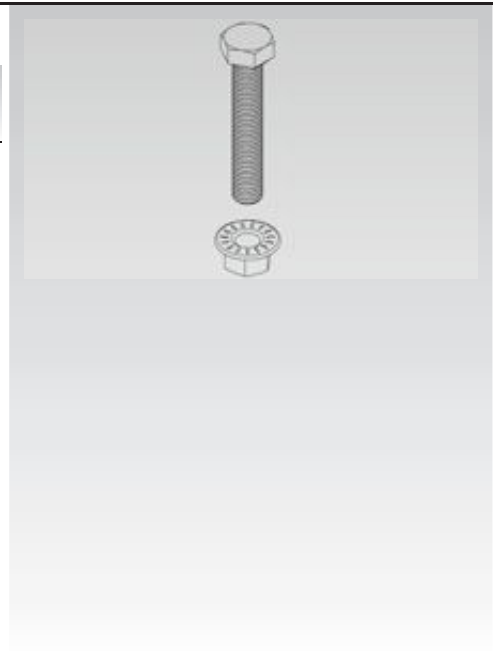


Hex Head Bolt

serrated flange nut included

Model no.	Thread M	Length L	Strength category	Weight per 100 pcs./pc./ kg	Pack/ Box Qty
V SKM 8X16 V	8	16 0,6	8.8	1,72	50
V SKM 10X25 V	10	25 1	8.8	3,60	50
V SKM 10X40 V	10	40 1,6	8.8	4,50	50
V SKM 10X50 V	10	50 2	8.8	5,00	50
V SKM 10X70 V	10	70 2,8	8.8	5,50	50
V SKM 12X50 V	12	50 2	10.9	7,00	20
V SKM 12X70 V	12	70 2,8	10.9	8,44	20
F SKM 10X90 F	10	90 3,5	8.8	6,50	50
F SKM 10X80 F	10	80 3,1	8.8	6,00	50
E3 SKM 8X16 E3	8	16 0,6	1.4301	1,72	50
E3 SKM 8X40 E3	8	40 1,6	1.4301	2,00	20
E3 SKM 10X25 E3	10	25 1	1.4301	3,89	50
E3 SKM 10X40 E3	10	40 1,6	1.4301	4,50	50
E3 SKM 10X70 E3	10	70 2,8	1.4301	5,98	50
E3 SKM 10X90 E3	10	90 3,5	1.4301	6,50	50

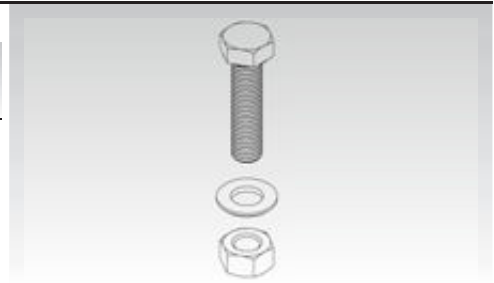
Please maintain proper tightening torque of bolts/nuts especially for all vertical clamping connections.
SKM 8..., tightening torque 24 Nm, 13 mm metric wrench
SKM 10..., tightening torque 48 Nm, 17/16 mm metric wrench
SKM 12..., tightening torque 123 Nm, 19 mm metric wrench



Hex Head Bolt with Nut and Washer

	Model no.	Thread M	Length L		Strength category	Weight per 100 pcs kg	Pack/ Box Qty
			mm	Inch			
F	SKM 12X50 F	12	50	2	10.9	8,27	20
F	SKM 12X70 F	12	70	2,8	10.9	9,85	20

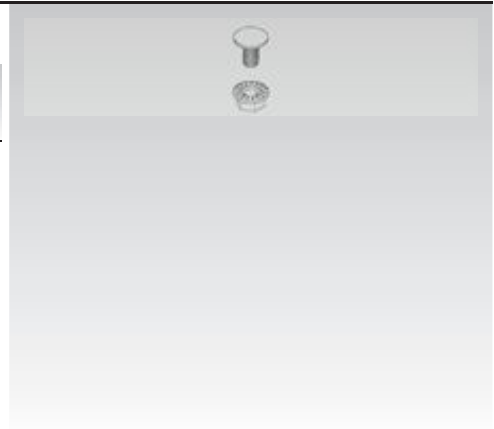
Please maintain proper tightening torque of bolts/nuts especially for all vertical clamping connections.
SKM 12..., tightening torque 123 Nm, 19 mm metric wrench



Carriage Bolt with Nut

serrated flange nut included

	Model no.	Thread M	Length L		Strength category	Weight per 100 pcs kg	Pack/ Box Qty
			mm	Inch			
V	FLM 6X12	6	12	0,5	-	0,79	100
F	FLM 6X12 F	6	12	0,5	-	0,79	50
F	FLM 6X16 F	6	16	0,6	-	0,86	50
F	FLM 8X13 F	8	13	0,5	8.8	2,00	100
F	FLM 8X16 F	8	16	0,6	8.8	2,09	50
F	FLM 8X25 F	8	25	1	8.8	2,34	50
F	FLM 10X25 F	10	25	1	8.8	4,00	50
F	FLM 12X30 F	12	30	1,2	8.8	8,00	50
E3	FLM 6X12 E3	6	12	0,5	1.4301	0,81	50
E3	FLM 8X16 E3	8	16	0,6	1.4301	2,01	50
E3	FLM 10X25 E3	10	25	1	1.4301	3,99	50



Carriage Bolt with Shaft and Nut

serrated flange nut and washer included

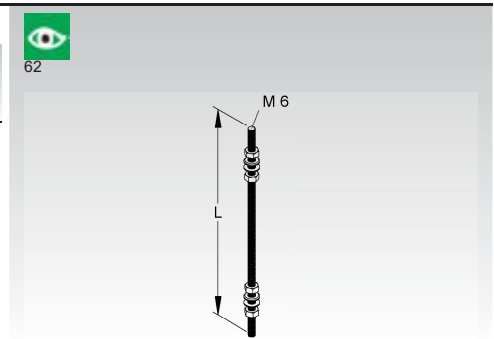
	Model no.	Thread M	Length L		Weight per 100 pcs kg	Pack/ Box Qty
			mm	Inch		
V	FLDM 6X30	6	30	1,2	1,25	50
V	FLDM 6X45	6	45	1,8	1,56	50
V	FLDM 6X60 V	6	60	2,4	2,08	50
E3	FLDM 6X45 E3	6	45	1,8	1,56	50



Threaded Rod, size M6

	Model no.	Length L		Strength category	Acc. incl.	Weight per 100 pcs kg	Pack/ Box Qty
		mm	Inch				
V	M 6/1000	1000	39,4	4.6	4 SMU 6	21,72	25

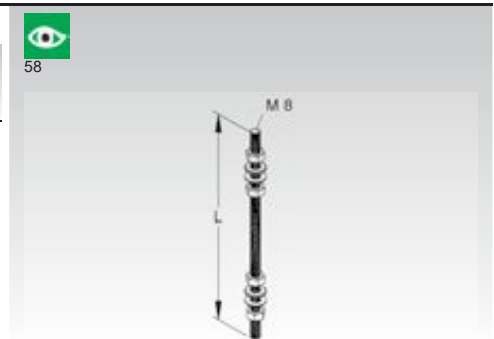
Nuts and washers are included.



Threaded Rod, size M8

	Model no.	Length L		Strength category	Acc. incl.	Weight per 100 pcs kg	Pack/ Box Qty
		mm	Inch				
V	M 8/1000	1000	39,4	4.6	4 SMU 8	35,1	25

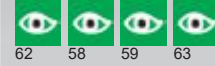
Nuts and washers are included.



Threaded Rod, size M10

Model no.	Length L		Strength category	Acc. incl.	Weight per 100 pcs kg	Pack/Box Qty
	mm	Inch				
V M 10/1000	1000	39,4	4.6	4 SMU 10	56,4	25

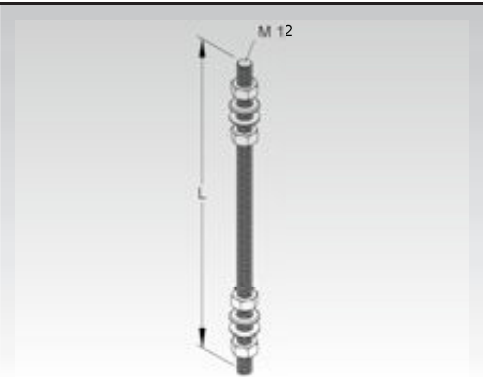
Nuts and washers are included.



Threaded Rod, size M12

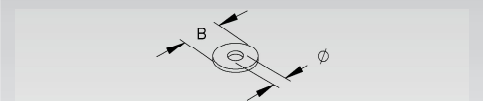
Model no.	Length L		Strength category	Acc. incl.	Weight per 100 pcs kg	Pack/Box Qty
	mm	Inch				
V M 12/1000	1000	39,4	4.6	4 SMU 12	75	20

Nuts and washers are included.



Large Diameter Washer

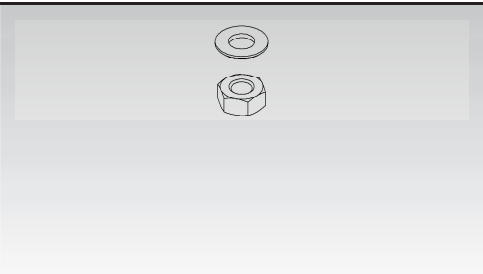
Model no.	Diameter of mounting hole	Width B		Weight per 100 pcs kg	Pack/Box Qty
		mm	mm Inch		
V UGM 6	6,4	18 0,7	0,26	100	
V UGM 8	8,4	24 0,9	0,68	100	
V UGM 10	10,5	30 1,2	1,22	100	
V UGM 12 V	13	37 1,5	2,22	100	
F UGM 6 F	6,4	18 0,7	0,28	100	
F UGM 8 F	8,4	24 0,9	0,74	100	
F UGM 10 F	10,5	30 1,2	1,34	100	
F UGM 12 F	13	37 1,5	2,44	100	
E3 UGM 6 E3	6,4	18 0,7	0,26	100	
E3 UGM 8 E3	8,4	24 0,9	0,68	100	
E3 UGM 10 E3	10,5	30 1,2	1,22	100	
E3 UGM 12 E3	13	37 1,5	2,23	100	



Hexagonal Nut

washer included

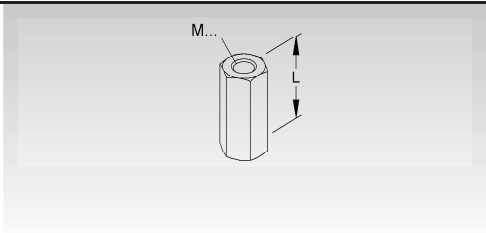
Model no.	Thread M	Weight per 100 pcs kg	Pack/Box Qty
V SMU 8	8	0,77	50
V SMU 10	10	1,53	50
V SMU 12	12	2,32	40
E3 SMU 10 E3	10	1,53	50
E3 SMU 12 E3	12	2,25	40



Hexagonal Rod Coupling

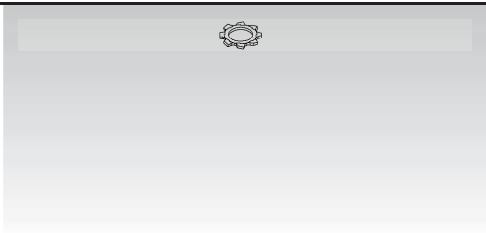
Model no.	Thread M	Length L		Weight per 100 pcs kg	Pack/ Box Qty
		mm	Inch		
V VBSM 8	8	40	1,6	1,80	50
V VBSM 10	10	40	1,6	2,25	50
V VBSM 12	12	40	1,6	7,00	50

for coupling threaded rods



Serrated Washer

Model no.	Inner diameter	Weight per 100 pcs kg		Pack/ Box Qty
		mm	Inch	
V ZS M6	6,4	0,3	0,02	100
V ZS M8	8,4	0,3	0,05	100
V ZS M10	10,5	0,4	0,08	100
V ZS M12	12,5	0,5	0,11	100



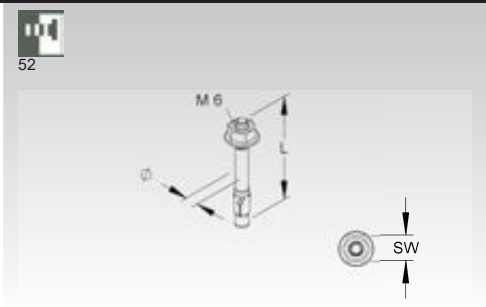
Expansion Anchor

Approval no.: ETA-18/0541, with flange nut and metric connecting thread M6

Model no.	Connection thread metric	Length L		Diameter drillhole	Clamping range t fix mm	Effective anchoring depth h ef mm	Weight per 100 piece kg	Pack/ Box Qty
		mm	Inch					
V DAM 6X5	6	50	2	6	≤ 5	30	1,38	50
V DAM 6X10	6	55	2,2	6	≤ 10	30	1,30	50

Please always follow the enclosed installation instructions and contact Niedax for detailed technical specifications.

Please also note the following additional approval:
DoP No. NI 001



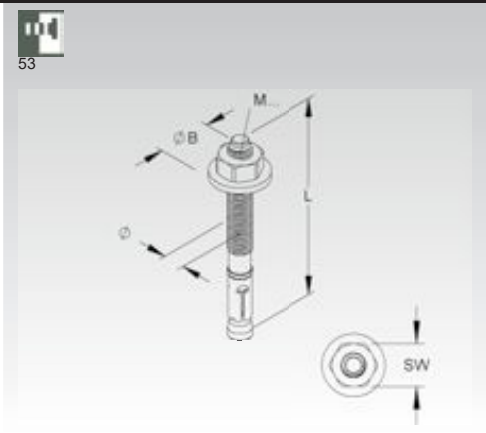
Expansion Anchor

Approval No.: ETA-18/0542, with nut and large washer

Model no.	Connection thread metric	Length L		Diameter drillhole	Washer diameter	Clamping range t fix mm	Effective anchoring depth h ef mm	Weight per 100 pcs kg	Pack/ Box Qty
		mm	Inch						
V DAZ 8X10	8	75	3	8	24	≤ 10	45	3,16	50
V DAZ 10X10	10	95	3,7	10	25	≤ 10	60	6,33	50
V DAZ 12X10	12	110	4,3	12	30	≤ 10	70	10,27	20

Please always follow the enclosed installation instructions and contact Niedax for detailed technical specifications.

Please also note the following additional approval:
DoP No. NI 002



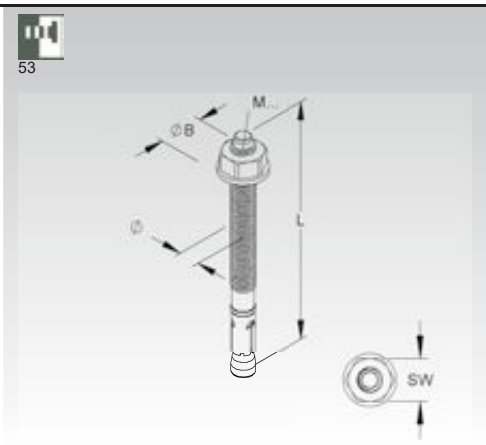
Expansion Anchor

Approval No.: ETA-18/0542, with nut and washer

Model no.	Connection thread metric	Length L		Diameter drillhole	Washer diameter	Clamping range t fix mm	Effective anchoring depth h ef mm	Weight per 100 pcs kg	Pack/ Box Qty
		mm	Inch						
V DAZ 10X30	10	115	4,5	10	20	≤ 30	60	7,32	25
V DAZ 16X25	16	148	5,8	16	30	≤ 25	85	23,78	10

Please always follow the enclosed installation instructions and contact Niedax for detailed technical specifications.

Please also note the following additional approval:
DoP No. NI 002



Concrete Screw Anchor

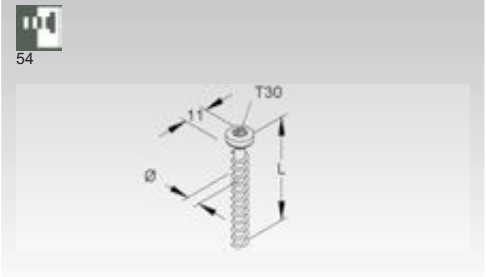
Approval no.: ETA 15/0784, Torx T30 pan-head

Model no.	Dia- meter (\varnothing) mm	Length L mm Inch	Drive size	Diameter drillhole mm	Max. mounting thickness mm	Weight per 100 kg	Pack/ Box Qty
V NSA 6X35/FKK-T30 V	6	35 1,4	T30	5	1	0,91	100
V NSA 6X50/FKK-T30 V	6	50 2	T30	5	5/15	1,02	100

for indoor use only

Suitable for: mounting e.g. pipe clamps

Recommended screw tightening torque 10 Nm



Concrete Screw Anchor

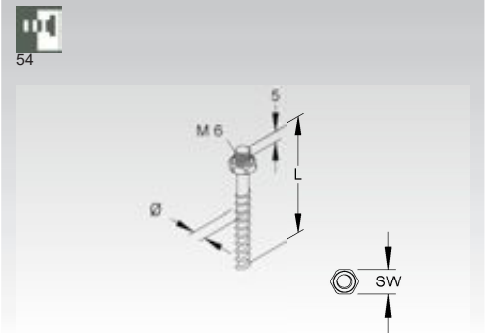
Approval no.: ETA 15/0784, Hex-head (10 mm) with M6x10 thread

Model no.	Dia- meter (\varnothing) mm	Connection thread metric	Length L mm Inch	Diameter drillhole mm	Weight per 100 kg	Pack/ Box Qty
V NSA 6X55/SW10-M6 V	6	6	55 2,2	5	1,12	100

for indoor use only

Suitable for: mounting e.g. pipe clamps

Recommended screw tightening torque 10 Nm



Concrete Screw Anchor

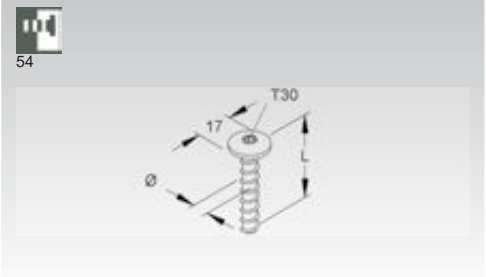
Approval no.: ETA 15/0784, Torx T30 large diameter pan-head

Model no.	Dia- meter (\varnothing) mm	Length L mm Inch	Drive size	Diameter drillhole mm	Max. mounting thickness mm	Weight per 100 kg	Pack/ Box Qty
V NSA 7.5X40/FKG-T30 V	7,5	40 1,6	T30	6	5	1,38	100
V NSA 7.5X50/FKG-T30 V	7,5	50 2	T30	6	15	1,62	100

for indoor use only

Suitable for: mounting e.g. framing channel

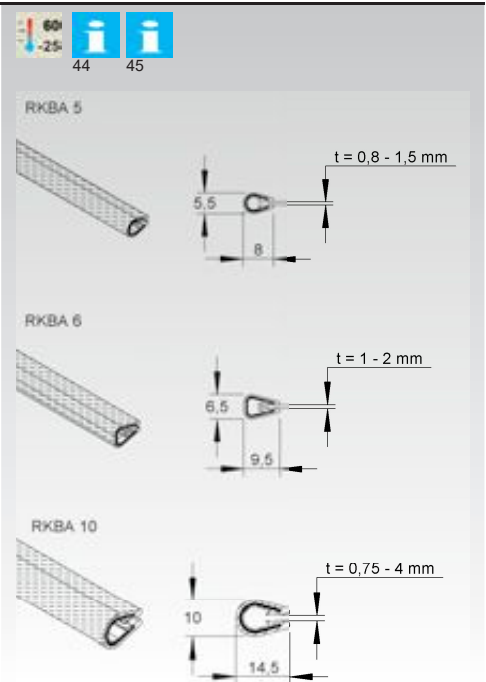
Recommended screw tightening torque 20 Nm



Edge Protection Strip

with steel inserts

Model no.	Color	clamping range mm	Weight per 100 m kg	Pack/ Box Qty
K10 RKBA 5	black	0,8-1,5	4,7	10 m
K10 RKBA 6	black	1-2	7,7	10 m
K10 RKBA 10	black	0,75-4	15,0	10 m
K10 RKBA 10 E4	black	0,75-4	15,0	10 m



SUPPORT SYSTEM

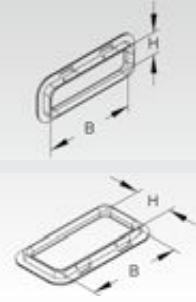
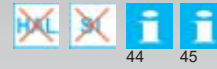
Edge Protection Ring

UV resistant

Model no.	Color	Inside height H mm Inch	Inside dimension B mm Inch	Weight per 100 pcs kg	Pack/Box Qty
K04 KSR 20 A	black	14,5 0,6	58 2,3	0,32	20
K04 KSR 30 A	black	24,0 0,9	58 2,3	0,38	20

to protect cables at the knockouts

Suitable for: distribution cable trays RSV 50... and RLCI 60...



Edge Protection Ring

UV resistant

Model no.	Color	Inside height H mm Inch	Inside dimension B mm Inch	Weight per 100 pcs kg	Pack/Box Qty
K04 KSR 40 A	black	34,5 1,4	144,5 5,7	0,97	20

to protect cables at the knockouts

Suitable for: distribution cable trays RLCPV 85... OV and RSV 110...

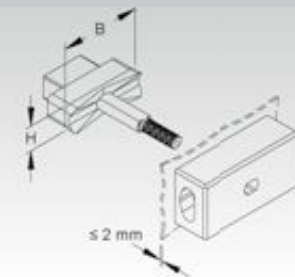


Punch and Die Set for Hydraulic Tools

Model no.	Height H mm Inch	Width B mm Inch	Weight per 100 pcs kg	Pack/Box Qty
B W-BL 20.65	20 0,8	65 2,6	108	1
B W-BL 30.65	30 1,2	65 2,6	108	1

for punching square knockouts in mild steel of max. 2 mm thickness

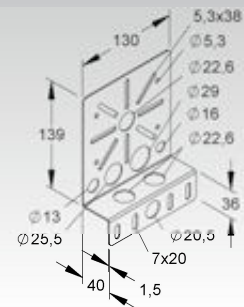
Please install KSR...A edge protection rings to protect cables from damage.



Mounting Plate

Model no.	Acc. incl.	Weight per 100 pc. kg	Pack/Box Qty
S RMP 130	2 FLM 6X12	27,90	10
F RMP 130 F	2 FLM 6X12 F	30,78	10
E3 RMP 130 E3	2 FLM 6X12 E3	28,09	10

for attaching electrical junction boxes or cable glands to cable tray

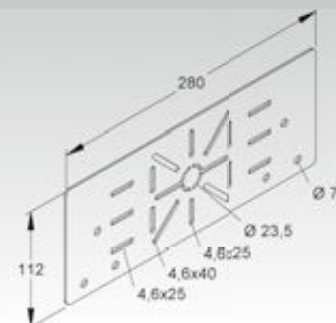


Universal Mounting Plate

Model no.	Weight per 100 pc kg	Pack/Box Qty
* F KRMP 280 F	49,48	50

for attaching electrical junction boxes

Hardware not included.



Yoke-Clamp

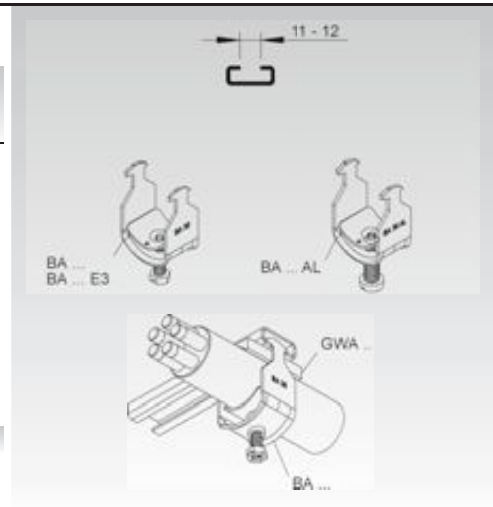
with pressure cradle

Model no.	For cable dia. mm	Bolt head	Thread M	Weight per 100 pcs kg	Pack/ Box Qty
F BA 12	6 - 12	slotted hex head	6	2,44	100
F BA 14	10 - 14	slotted hex head	6	2,54	100
F BA 18	14 - 18	slotted hex head	6	2,96	100
F BA 22	16 - 22	slotted hex head	6	3,46	100
F BA 30	22 - 30	slotted hex head	6	4,40	100
F BA 34	28 - 34	slotted hex head	6	5,80	100
F BA 42	34 - 42	slotted hex head	6	8,99	100
F BA 46	40 - 46	slotted hex head	8	9,91	100
F BA 54	46 - 54	slotted hex head	8	11,68	50
F BA 58	52 - 58	slotted hex head	8	12,63	50
F BA 64	58 - 64	slotted hex head	8	13,36	50

for one cable

Suitable for: slot width 11-12 mm

Please order GWU... counter pressure cradles separately.



Yoke-Clamp

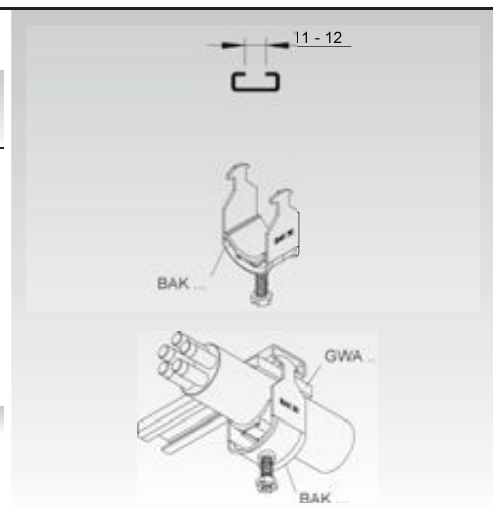
with plastic pressure cradle

Model no.	For cable dia. mm	Bolt head	Thread M	Weight per 100 pcs kg	Pack/ Box Qty
F BAK 14	8 - 14	slotted hex head	6	2,95	100
F BAK 18	12 - 18	slotted hex head	6	3,29	100
F BAK 22	16 - 22	slotted hex head	6	3,71	100
F BAK 30	22 - 30	slotted hex head	6	4,40	100
F BAK 34	28 - 34	slotted hex head	6	4,75	100
F BAK 42	34 - 42	slotted hex head	6	8,25	100
F BAK 46	40 - 46	slotted hex head	8	9,57	100
F BAK 54	46 - 54	slotted hex head	8	11,02	50
F BAK 58	52 - 58	slotted hex head	8	12,25	50
F BAK 64	58 - 64	slotted hex head	8	12,07	50

for one cable

Suitable for: slot width 11-12 mm

Please order GWU... counter pressure cradles separately.



Yoke-Clamp

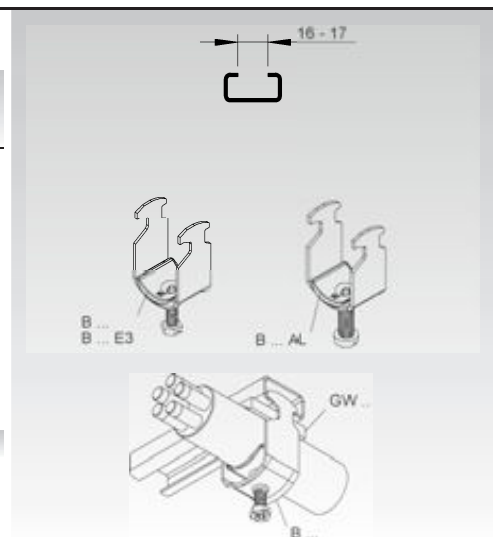
with pressure cradle

Model no.	For cable dia. mm	Bolt head	Thread M	Weight per 100 pcs kg	Pack/ Box Qty
F B 12	6 - 12	slotted hex head	6	2,57	100
F B 14	10 - 14	slotted hex head	6	2,78	100
F B 18	14 - 18	slotted hex head	6	3,14	100
F B 22	16 - 22	slotted hex head	6	3,67	100
F B 30	22 - 30	slotted hex head	6	4,70	100
F B 34	28 - 34	slotted hex head	6	6,07	100
F B 42	34 - 42	slotted hex head	6	8,61	100
F B 46	40 - 46	slotted hex head	8	10,15	100
F B 54	46 - 54	slotted hex head	8	11,44	50
F B 58	52 - 58	slotted hex head	8	12,00	50
F B 64	58 - 64	slotted hex head	8	12,47	50

for one cable

Suitable for: slot width 16-17 mm

Please order GWU... counter pressure cradles separately.



SUPPORT SYSTEM

Yoke-Clamp

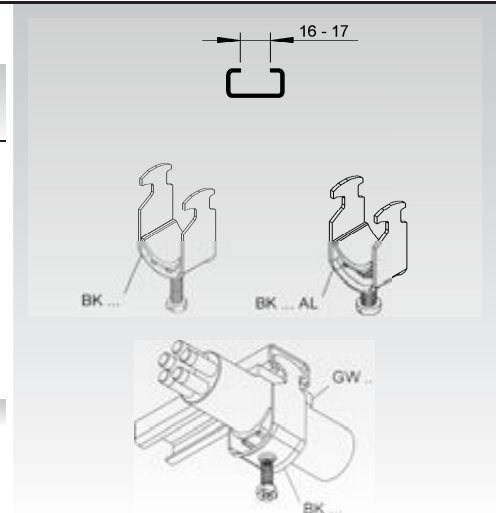
with plastic pressure cradle

Model no.	For cable dia. mm	Bolt head	Thread M	Weight per 100 pcs kg	Pack/ Box Qty
F BK 14	8 - 14	slotted hex head	6	3,42	100
F BK 18	12 - 18	slotted hex head	6	3,65	100
F BK 22	16 - 22	slotted hex head	6	3,92	100
F BK 30	22 - 30	slotted hex head	6	4,67	100
F BK 34	28 - 34	slotted hex head	6	5,05	100
F BK 42	34 - 42	slotted hex head	6	8,02	100
F BK 46	40 - 46	slotted hex head	8	9,30	100
F BK 54	46 - 54	slotted hex head	8	10,99	50
F BK 58	52 - 58	slotted hex head	8	11,61	50
F BK 64	58 - 64	slotted hex head	8	12,55	50

for one cable

Suitable for: slot width 16-17 mm

Please order GWU... counter pressure cradles separately.



Yoke-Clamp

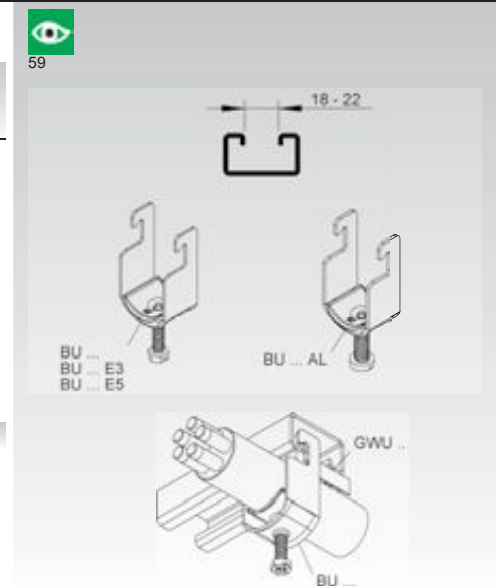
with pressure cradle

Model no.	For cable dia. mm	Bolt head	Thread M	Weight per 100 pcs kg	Pack/ Box Qty
F BU 12	6 - 12	slotted hex head	6	2,83	100
F BU 14	10 - 14	slotted hex head	6	3,16	100
F BU 18	14 - 18	slotted hex head	6	3,46	100
F BU 22	16 - 22	slotted hex head	6	3,91	100
F BU 30	22 - 30	slotted hex head	6	4,81	100
F BU 34	28 - 34	slotted hex head	6	6,06	100
F BU 42	34 - 42	slotted hex head	6	8,61	100
F BU 46	40 - 46	slotted hex head	8	9,95	100
F BU 54	46 - 54	slotted hex head	8	11,25	50
F BU 58	52 - 58	slotted hex head	8	11,88	50
F BU 64	58 - 64	slotted hex head	8	12,68	50

for one cable

Suitable for: slot width 18-22 mm

Please order GWU... counter pressure cradles separately.



Yoke-Clamp

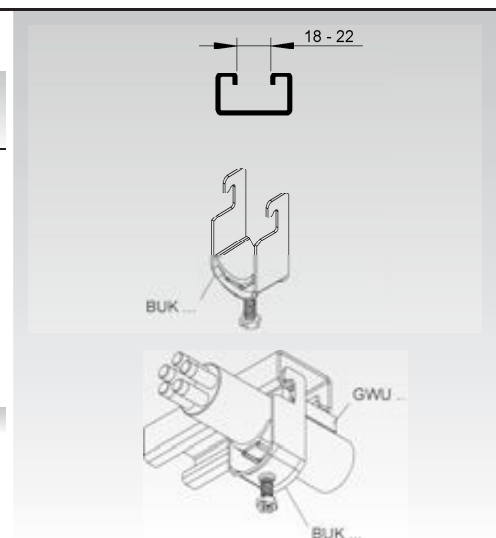
with plastic pressure cradle

Model no.	For cable dia. mm	Bolt head	Thread M	Weight per 100 pcs kg	Pack/ Box Qty
F BUK 14	8 - 14	slotted hex head	6	3,55	100
F BUK 18	12 - 18	slotted hex head	6	3,77	100
F BUK 22	16 - 22	slotted hex head	6	4,10	100
F BUK 30	22 - 30	slotted hex head	6	4,94	100
F BUK 34	28 - 34	slotted hex head	6	5,17	100
F BUK 42	34 - 42	slotted hex head	6	7,98	100
F BUK 46	40 - 46	slotted hex head	8	9,29	100
F BUK 54	46 - 54	slotted hex head	8	10,79	50
F BUK 58	52 - 58	slotted hex head	8	11,34	50
F BUK 64	58 - 64	slotted hex head	8	11,80	50

for one cable

Suitable for: slot width 18-22 mm

Please order GWU... counter pressure cradles separately.



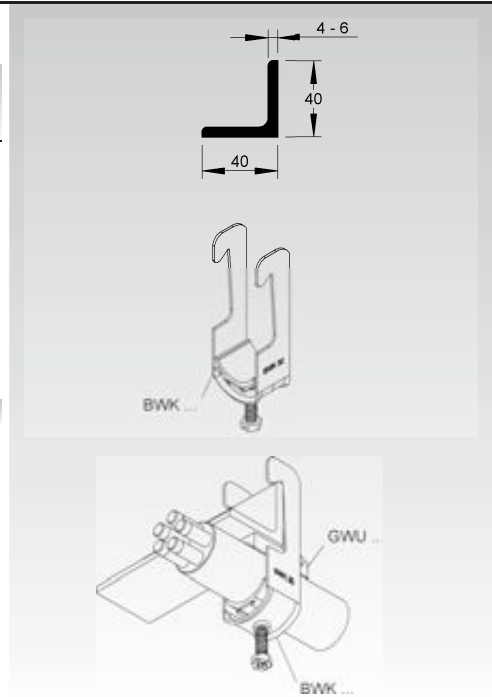
Yoke Clamp for Angle Sections

with plastic pressure cradle

Model no.	For cable dia.	Bolt head	Thread	Weight per 100	Pack/Box Qty
	mm		M	kg	
F BWK 14	8 - 14	slotted hex head	6	4,68	100
F BWK 18	12 - 18	slotted hex head	6	4,93	100
F BWK 22	16 - 22	slotted hex head	6	5,21	100
F BWK 30	22 - 30	slotted hex head	6	5,90	100
F BWK 34	28 - 34	slotted hex head	6	6,26	100
F BWK 42	34 - 42	slotted hex head	6	9,22	100
F BWK 46	40 - 46	slotted hex head	8	10,61	100
F BWK 54	46 - 54	slotted hex head	8	11,59	50
F BWK 58	52 - 58	slotted hex head	8	12,09	50
F BWK 64	58 - 64	slotted hex head	8	12,96	50

for one cable

Please order GWU... counter pressure cradles separately.



Counter Pressure Cradle for all Yoke-Clamps

Model no.	Similar to RAL	For cable dia.	Length L	Weight per 100 pcs	Pack/Box Qty
		mm	mm Inch	kg	
K02 GWU 12	7035	6 - 12	40 1,6	0,08	100
K02 GWU 14	7035	10 - 14	40 1,6	0,10	100
K02 GWU 18	7035	14 - 18	40 1,6	0,13	100
K02 GWU 22	7035	18 - 22	40 1,6	0,23	100
K02 GWU 30	7035	26 - 30	40 1,6	0,37	100
K02 GWU 34	7035	30 - 34	40 1,6	0,42	100
K02 GWU 42	7035	38 - 42	40 1,6	0,66	50
K02 GWU 46	7035	42 - 46	40 1,6	0,73	50
K02 GWU 54	7035	50 - 54	45 1,8	1,27	50
K02 GWU 58	7035	54 - 58	45 1,8	1,42	50
K02 GWU 64	7035	58 - 64	45 1,8	1,53	50

for insertion into the clamp bracket

Suitable for: yoke-clamp BA..., BAK..., B..., BK..., BU..., BUK... and BWK...

