

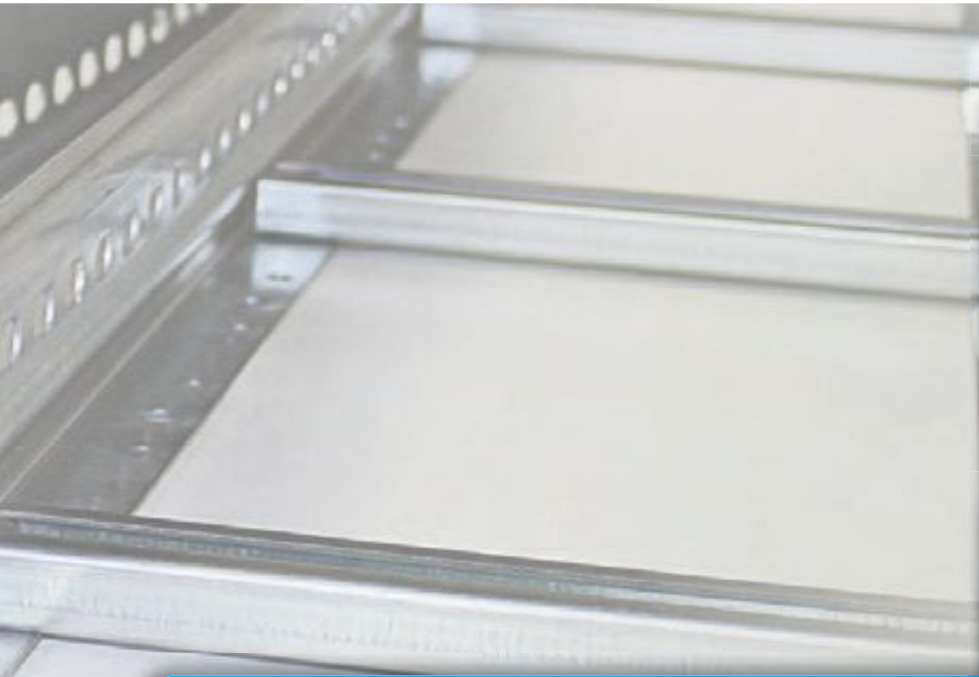
CABLE LADDER SYSTEM



- Cable Ladder
- Covers
- Fittings
- Accessories

All straight sections of cable tray as well as their corresponding system components (fittings, splice plates, covers, ...) are classified by UL in accordance with NEMA VE 1 for the USA and CSA C22.1 No. 126.1 for Canada. An 'X' in the part number will be added for labeling according to UL instructions (see catalog page 46).





KL 100...



KSV 100...



KGV 100...



KWV 100...



Cable ladders are ideal to install large volumes of heavy duty power cables. The long rung spacing means full free air rating of cables. Higher current flow can be achieved at the same cable cross-section. Overheating and consecutive damaging of cables is avoided. The new shape of the side rail allows higher cable loads at similar support spans, the continuous perforation in the siderails guarantees easy mounting of fittings. Cables can be installed and fixed to the rungs using appropriate yoke clamps. Niedax Cable ladders can be slit together to minimize transport and storage volume needs.

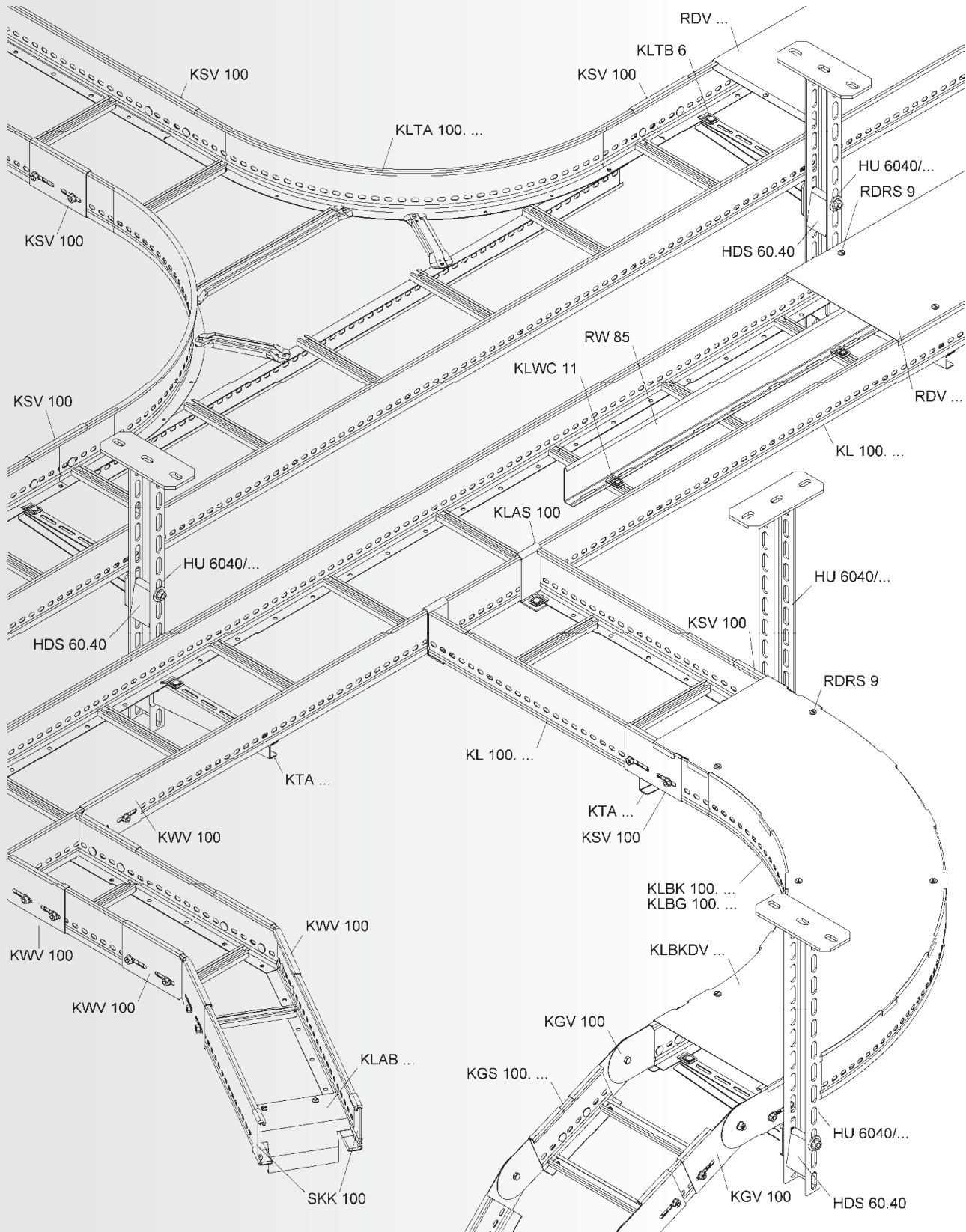


CABLE LADDER SYSTEM

Available Side Rail Heights

SYSTEM			
	Cable Ladder	KL...	Page 278
ACCESSORIES	Splice Plate	KSV...	Page 278
	Adjustable Splice Plate	KGV...	Page 278
	Adjustable Splice Plate	KWV...	Page 279
	Divider	RW 85...	Page 279
	Splice Plate for Divider	RTV 85 E2	Page 279
	Mounting Clamp for Divider	KLWC 11...	Page 279
	Horizontal Elbow 90°, small radius	KLBK...	Page 280
	Horizontal Elbow 90°, large radius	KLBG...	Page 280
	Extension Horizontal Tee	KLTA...	Page 281
	Horizontal Tee	KLT...	Page 281
	Horizontal Cross	KLK...	Page 281
	Adjustable Vertical Elbow	KGS...	Page 282
	Cable Ladder Connection Bracket	KLAS 100	Page 282
	Pair of Protective End Caps	SKK 100	Page 282
	Ladder Drop Out	KLAB...	Page 282
	Cable Ladder Mounting Bracket	KLTB 6...	Page 283
	Two Hole Corner Angle	WWU...	Page 283
	Three Hole Corner Angle	WWA...	Page 283
	Cover for Cable Tray/Ladder	RDV...	Page 284
	Cover for 90° Horizontal Elbow, small radius	KLBKDV...	Page 284
	Cover for Horizontal Tee	KLTDV...	Page 284
	Turnbolt Lock	RDRS...	Page 285





Cable Ladder Specifications:

➔ A. CABLE TRAY DESIGN

1. Cable Tray shall be made of straight sections, fittings and accessories as defined in the latest NEMA standards per NEMA VE-1. Standard cable trays shall be UL classified as equipment grounding conductors.

➔ B. MATERIAL

1. **Pre-galvanized steel.** The structural quality of the steel shall meet the minimum yield and tensile strength of the ASTM standards (ASTM A 653) with G 90 coating thickness.
All cable trays to be labeled for material identification purposes.
2. **Hot dipped galvanized steel.** All trays to be hot-dipped galvanized in accordance with ASTM A123.
All trays to be labeled for material identification.
3. **Stainless steel.** All trays are to be constructed of AISA type 304 or 316 stainless steel.
All trays to be labeled for material identification.

➔ C. TRAY TYPES

1. **Ladder cable tray.** Ladder shall consist of two side-rails with rungs riveted to the bottom flange of the side-rails. Rungs shall be spaced 8" or 12" (200 or 300 mm) on center. Rungs shall not protrude below the bottom of the side-rail.

➔ D. TRAY SIZE

1. **Height:** Ladder shall have an overall height of 4" (100 mm).
Minimum load depth shall be 3.5" (90 mm).
2. **Width:** Widths shall be 8", 12", 16", 20" and 24" (200, 300, 400, 500 and 600 mm)
3. **Length:** Length shall be a nominal 10' or 3 meters and 20' or 6 meters

➔ E. ACCESSORIES

1. **Covers.** Covers shall be supplied to protect tray cable where needed. Covers will be solid and contain three pair of turn-bolt locks to secure the covers to the lips of the cable tray, requiring only the use of a slotted screwdriver.
2. **Splice plates.** Splice plates shall fasten to the outside of the cable tray side-rails and wrap around and snap onto each section of tray. Bolts and nuts are used to fasten to the tray and are included with splice plates.
Plates shall not exceed the NEMA VE-1 resistance of 330 micro ohms.
3. **Other accessories** shall be furnished as required to protect, support, and install a cable tray system.
Fittings shall made of the same material as the cable tray whenever possible.
Fittings can be of factory construction or also be of a type that allows field constructed fittings.

➔ F. LOADING CAPABILITIES

1. Cable tray shall meet the load/span class designation in accordance with NEMA VE 1 and CSA E22.2 No 126.1.
Cable tray shall also meet load/span designation in accordance with IEC 61537

➔ G. DESIGN AND MANUFACTURE

1. Cable tray design shall be manufactured by The Niedax Group.



➔ **Load/Span Class Designation in accordance with NEMA VE 1 and CSA E22.2 No. 126.1**

Niedax Series	Minimum Area		Load class in accordance to NEMA VE 1		
	(calculational) mm ² / in. ²	in accordance to NEMA VE 2 mm ² / in. ²	Rated Load Kg/m / lb./ft.	Support spacing m / ft.	Load/Span Class
KLX 100.203	414.0 / 0.64	258 / 0.4	107 / 72	2 / 6.6	5A, A
KLX 100.303	414.0 / 0.64	258 / 0.4	107 / 72	2 / 6.6	5A, A
KLX 100.403	414.0 / 0.64	258 / 0.4	107 / 72	2 / 6.6	5A, A
KLX 100.503	414.0 / 0.64	258 / 0.4	107 / 72	2 / 6.6	5A, A
KLX 100.603	414.0 / 0.64	258 / 0.4	107 / 72	2 / 6.6	5A, A
KLX 100.203 F	414.0 / 0.64	258 / 0.4	107 / 72	2 / 6.6	5A, A
KLX 100.303 F	414.0 / 0.64	258 / 0.4	107 / 72	2 / 6.6	5A, A
KLX 100.403 F	414.0 / 0.64	258 / 0.4	107 / 72	2 / 6.6	5A, A
KLX 100.503 F	414.0 / 0.64	258 / 0.4	107 / 72	2 / 6.6	5A, A
KLX 100.603 F	414.0 / 0.64	258 / 0.4	107 / 72	2 / 6.6	5A, A



CABLE LADDER SYSTEM

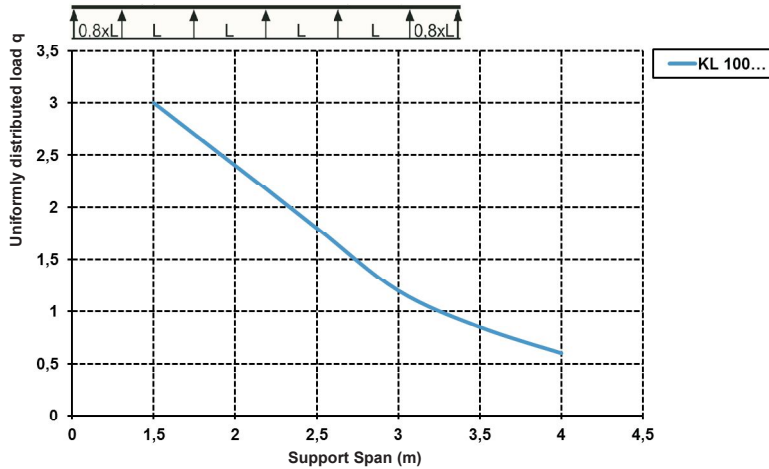
Cable Ladder

C-channel rungs with 11 mm slot width, standard spacing 300 mm

	Model no.	Height H		Width B		Thick-ness t	Length L		Weight per 100 m kg	Pack/ Box Qty
		mm	Inch	mm	Inch		mm	Inch		
S	KL 100.203	100	3,9	200	7,9	1,5	6000	236,2	350,70	6 m
S	KL 100.303	100	3,9	300	11,8	1,5	6000	236,2	370,50	6 m
S	KL 100.403	100	3,9	400	15,7	1,5	6000	236,2	390,20	6 m
S	KL 100.503	100	3,9	500	19,7	1,5	6000	236,2	409,90	6 m
S	KL 100.603	100	3,9	600	23,6	1,5	6000	236,2	429,60	6 m
F	KL 100.203 F	100	3,9	200	7,9	1,5	6000	236,2	386,98	6 m
F	KL 100.303 F	100	3,9	300	11,8	1,5	6000	236,2	371,50	6 m
F	KL 100.403 F	100	3,9	400	15,7	1,5	6000	236,2	391,30	6 m
F	KL 100.503 F	100	3,9	500	19,7	1,5	6000	236,2	411,00	6 m
F	KL 100.603 F	100	3,9	600	23,6	1,5	6000	236,2	473,79	6 m

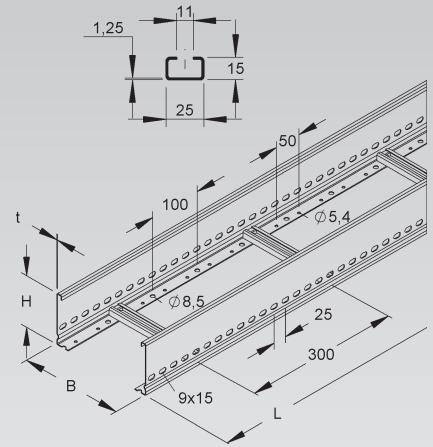
This product is also available with 2970 rungs (w=30 mm, h=15 mm, t=1.5 mm, slot width 16 mm).
KSV 100... splice plates have to be ordered separately.
Cable ladder is available in 3 meter length as well.

Load Chart: q = uniformly distributed load (tested according to DIN EN IEC 61537 standard)



Specified load ratings are independent of splice plate location.

Height 100 mm
Nominal 4 inches
76



Splice Plate

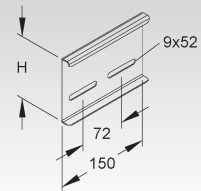
	Model no.	Height H		Acc. incl.	Weight per 100 pcs kg	Pack/ Box Qty
		mm	Inch			
S	KSV 100 S	100	3,9	2 FLM 8X13 F	26,37	10
F	KSV 100 F	100	3,9	2 FLM 8X13 F	24,83	10

form-locking straight splice plate for cable ladders

2 pieces required per joint

UL classified splice plates ensure electrical continuity and proper bonding.

Height 100 mm
Nominal 4 inches



Adjustable Splice Plate

vertical

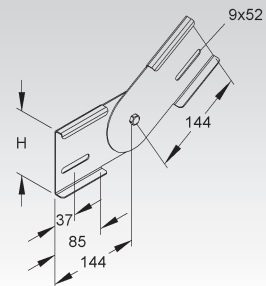
	Model no.	Height H		Acc. incl.	Weight per 100 pcs kg	Pack/ Box Qty
		mm	Inch			
S	KGV 100 S	100	3,9	2 FLM 8X13 F	53,25	10
F	KGV 100 F	100	3,9	2 FLM 8X13 F	58,20	10

use for custom built horizontal elbows

2 pieces required per joint

UL classified splice plates ensure electrical continuity and proper bonding.

Height 100 mm
Nominal 4 inches



Adjustable Splice Plate

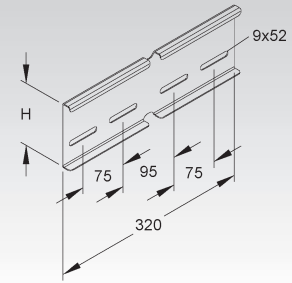
horizontal

Model no.	Height H mm Inch	Acc. incl.	Weight per 100 pcs kg	Pack/Box Qty
S KVV 100 S	100 3,9	4 FLM 8X13 F	55,0	10
F KVV 100 F	100 3,9	4 FLM 8X13 F	59,6	10

2 pieces required per joint

UL classified splice plates ensure electrical continuity and proper bonding.

Height 100 mm
Nominal 4 inches

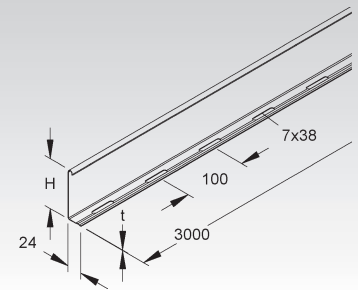


Divider

Model no.	Height H mm Inch	Thickness t mm	Acc. incl.	Weight per 100 m kg	Pack/Box Qty
S RW 85	80 3,1	0,9	4 FLM 6X12	78,39	10 x 3 m
F RW 85 F	80 3,1	0,9	4 FLM 6X12 F	86,12	10 x 3 m

to separate wires and cables of different voltage levels or with different functions

Height 85 mm
Nominal 3 3/8 inches

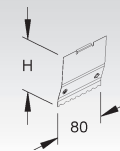


Splice Plate for Divider

Model no.	Height H mm Inch	Length L mm Inch	Weight per 100 pcs kg	Pack/Box Qty
E2 RTV 85 E2	79,5 3,1	80 3,1	2,03	20

for positive locking connections and proper bonding of dividers

Height 85 mm
Nominal 3 3/8 inches

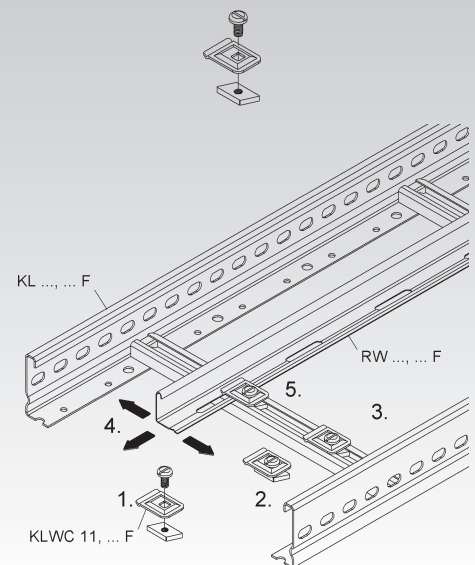


Mounting Clamp for Divider

Model no.	Acc. incl.	Weight per 100 pcs kg	Pack/Box Qty
S KLWC 11	1 FK 6X12 V, GSM 306 V	2,26	50
F KLWC 11 F	1 FK 6X10 E3, GSM 306 E3	2,30	50

to fix dividers to KL... cable ladders (slot width 11 mm)

Suitable for: divider RW...



CABLE LADDER SYSTEM

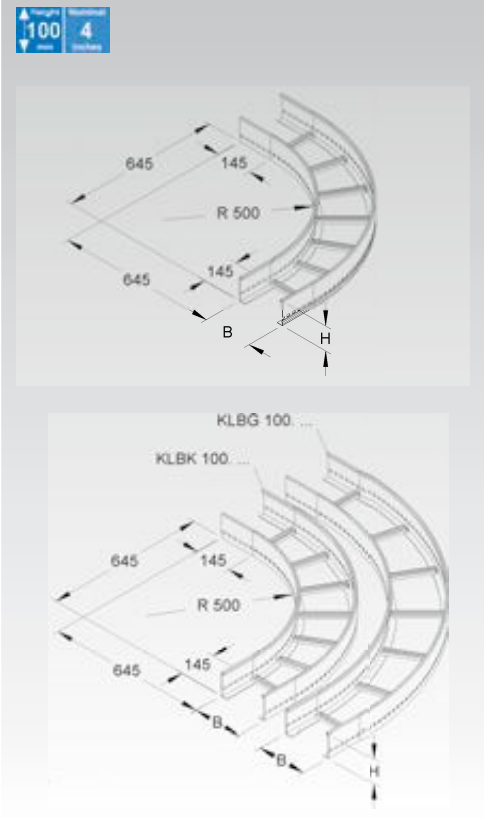
Horizontal Elbow 90° (small radius)

with perforated siderails

	Model no.	Height H		Width B		Weight per 100 pcs kg	Pack/Box Qty
		mm	Inch	mm	Inch		
S	KLBK 100.203	100	3,9	200	7,9	466,77	1
S	KLBK 100.303	100	3,9	300	11,8	533,05	1
S	KLBK 100.403	100	3,9	400	15,7	599,35	1
S	KLBK 100.503	100	3,9	500	19,7	665,67	1
S	KLBK 100.603	100	3,9	600	23,6	731,99	1
F	KLBK 100.203 F	100	3,9	200	7,9	513,45	1
F	KLBK 100.303 F	100	3,9	300	11,8	586,36	1
F	KLBK 100.403 F	100	3,9	400	15,7	659,29	1
F	KLBK 100.503 F	100	3,9	500	19,7	732,24	1
F	KLBK 100.603 F	100	3,9	600	23,6	805,19	1

Please use a KLBK... and a KLBG... elbow to form a 90° bend for 2 runs of ladder tray of the same width being installed in parallel.

This product is also available with 2970 rungs (w=30 mm, h=15 mm, t=1.5 mm, slot width 16 mm). KSV 100... splice plates have to be ordered separately.



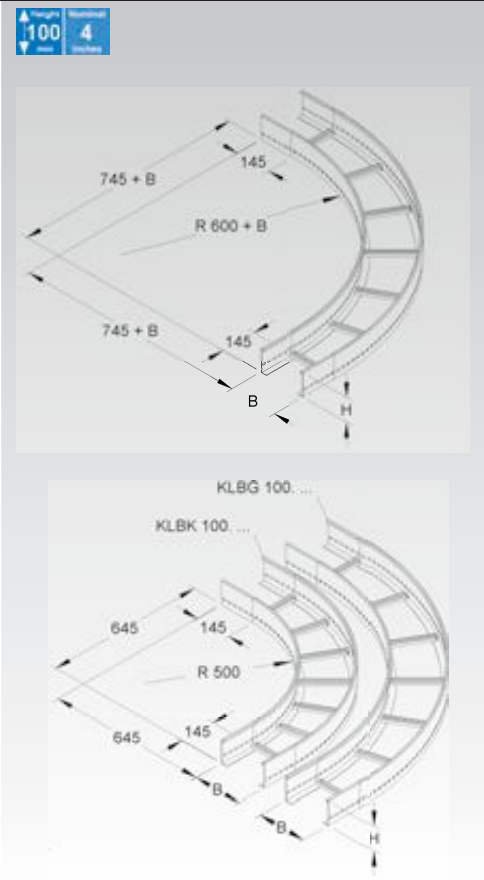
Horizontal Elbow 90° (large radius)

with perforated siderails

	Model no.	Height H		Width B		Weight per 100 pcs kg	Pack/Box Qty
		mm	Inch	mm	Inch		
S	KLBG 100.203	100	3,9	200	7,9	615,91	1
S	KLBG 100.303	100	3,9	300	11,8	731,86	1
S	KLBG 100.403	100	3,9	400	15,7	847,88	1
S	KLBG 100.503	100	3,9	500	19,7	964,05	1
S	KLBG 100.603	100	3,9	600	23,6	1.080,14	1
F	KLBG 100.203 F	100	3,9	200	7,9	677,49	1
F	KLBG 100.303 F	100	3,9	300	11,8	805,02	1
F	KLBG 100.403 F	100	3,9	400	15,7	932,65	1
F	KLBG 100.503 F	100	3,9	500	19,7	1.060,44	1
F	KLBG 100.603 F	100	3,9	600	23,6	1.188,13	1

Please use a KLBK... and a KLBG... elbow to form a 90° bend for 2 runs of ladder tray of the same width being installed in parallel.

KSV 100... splice plates have to be ordered separately.

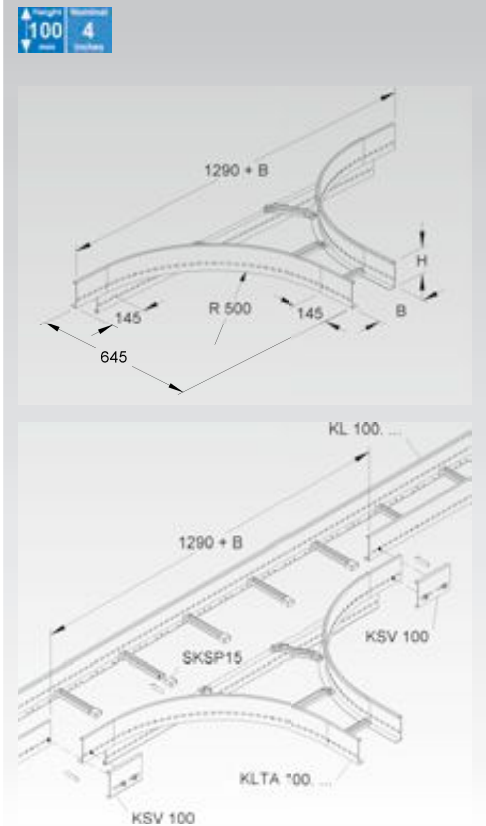


Extension Horizontal Tee

with perforated siderails

	Model no.	Height H		Width B		Weight per 100 pcs kg	Pack/Box Qty
		mm	Inch	mm	Inch		
S	KLTA 100.203	100	3,9	200	7,9	550,75	1
S	KLTA 100.303	100	3,9	300	11,8	576,52	1
S	KLTA 100.403	100	3,9	400	15,7	601,20	1
S	KLTA 100.503	100	3,9	500	19,7	625,77	1
S	KLTA 100.603	100	3,9	600	23,6	650,34	1
F	KLTA 100.203 F	100	3,9	200	7,9	605,83	1
F	KLTA 100.303 F	100	3,9	300	11,8	634,17	1
F	KLTA 100.403 F	100	3,9	400	15,7	661,32	1
F	KLTA 100.503 F	100	3,9	500	19,7	688,35	1
F	KLTA 100.603 F	100	3,9	600	23,6	715,37	1

This product is also available with 2970 rungs (w=30 mm, h=15 mm, t=1.5 mm, slot width 16 mm). KSV 100... splice plates have to be ordered separately.

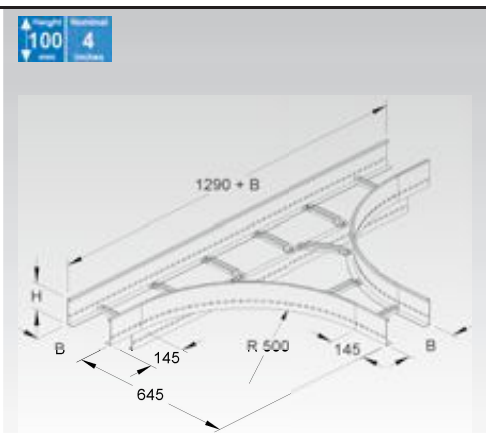


Horizontal Tee

with perforated siderails

	Model no.	Height H		Width B		Weight per 100 pcs kg	Pack/Box Qty
		mm	Inch	mm	Inch		
S	KLT 100.203	100	3,9	200	7,9	868,22	1
S	KLT 100.303	100	3,9	300	11,8	951,82	1
S	KLT 100.403	100	3,9	400	15,7	1.034,33	1
S	KLT 100.503	100	3,9	500	19,7	1.116,73	1
S	KLT 100.603	100	3,9	600	23,6	1.244,27	1
F	KLT 100.203 F	100	3,9	200	7,9	955,04	1
F	KLT 100.303 F	100	3,9	300	11,8	1.047,00	1
F	KLT 100.403 F	100	3,9	400	15,7	1.137,76	1
F	KLT 100.503 F	100	3,9	500	19,7	1.228,40	1
F	KLT 100.603 F	100	3,9	600	23,6	1.368,70	1

This product is also available with 2970 rungs (w=30 mm, h=15 mm, t=1.5 mm, slot width 16 mm). KSV 100... splice plates have to be ordered separately.

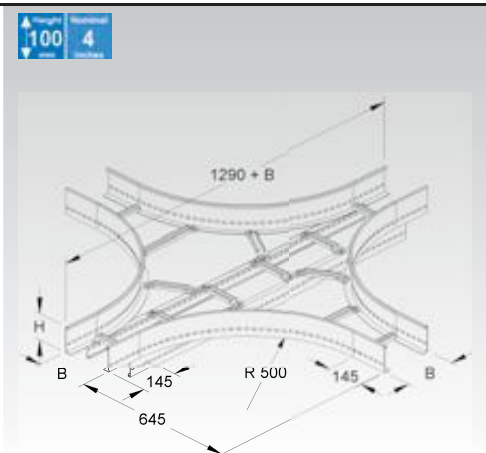


Horizontal Cross

with perforated siderails

	Model no.	Height H		Width B		Weight per 100 pcs kg	Pack/Box Qty
		mm	Inch	mm	Inch		
S	KLK 100.203	100	3,9	200	7,9	1.183,26	1
S	KLK 100.303	100	3,9	300	11,8	1.276,81	1
S	KLK 100.403	100	3,9	400	15,7	1.368,17	1
S	KLK 100.503	100	3,9	500	19,7	1.459,33	1
S	KLK 100.603	100	3,9	600	23,6	1.595,62	1
F	KLK 100.203 F	100	3,9	200	7,9	1.301,59	1
F	KLK 100.303 F	100	3,9	300	11,8	1.404,49	1
F	KLK 100.403 F	100	3,9	400	15,7	1.504,99	1
F	KLK 100.503 F	100	3,9	500	19,7	1.605,26	1
F	KLK 100.603 F	100	3,9	600	23,6	1.755,18	1

KSV 100... splice plates have to be ordered separately.



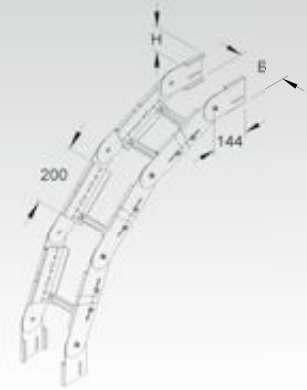
CABLE LADDER SYSTEM

Adjustable Vertical Elbow

vertical

	Model no.	Height H		Width B		Acc. incl.	Weight per 100 pcs kg	Pack/Box Qty
		mm	Inch	mm	Inch			
S	KGS 100.203	100	3,9	200	7,9	16 FLM 8X13 F	660,83	1
S	KGS 100.303	100	3,9	300	11,8	16 FLM 8X13 F	684,50	1
S	KGS 100.403	100	3,9	400	15,7	16 FLM 8X13 F	708,18	1
S	KGS 100.503	100	3,9	500	19,7	16 FLM 8X13 F	731,85	1
S	KGS 100.603	100	3,9	600	23,6	16 FLM 8X13 F	755,53	1
F	KGS 100.203 F	100	3,9	200	7,9	16 FLM 8X13 F	726,08	1
F	KGS 100.303 F	100	3,9	300	11,8	16 FLM 8X13 F	752,13	1
F	KGS 100.403 F	100	3,9	400	15,7	16 FLM 8X13 F	778,14	1
F	KGS 100.503 F	100	3,9	500	19,7	16 FLM 8X13 F	804,18	1
F	KGS 100.603 F	100	3,9	600	23,6	16 FLM 8X13 F	830,23	1

This product is also available with 2970 rungs (w=30 mm, h=15 mm, t=1.5 mm, slot width 16 mm).
Delivered as a kit (not assembled).



Cable Ladder Connection Bracket

	Model no.	Height H		Acc. incl.	Weight per 100 pcs kg	Pack/Box Qty
		mm	Inch			
F	KLAS 100	100	3,9	1 FLM 6X16 F	20,51	20

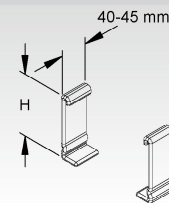
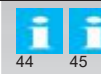
cable ladder connector bracket for field made horizontal tees



Pair of Protective End Caps

	Model no.	Height H		Color	Weight per 100 pair kg	Pack/Box Qty
		mm	Inch			
K10	SKK 100	100	3,9	yellow	5	10 sets

Suitable for: cable ladder KL...

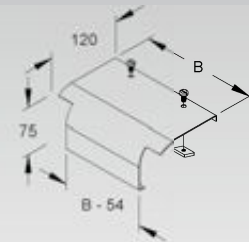


Ladder Drop Out

with rounded edges

	Model no.	Width B		Acc. incl.	Weight per 100 pcs kg	Pack/Box Qty
		mm	Inch			
S	KLAB 200	190	7,5	2 FK 6X12, 2 GSM 306	40,89	1
S	KLAB 300	290	11,4	2 FK 6X12, 2 GSM 306	63,64	1
S	KLAB 400	390	15,4	2 FK 6X12, 2 GSM 306	86,39	1
S	KLAB 500	490	19,3	2 FK 6X12, 2 GSM 306	143,41	1
S	KLAB 600	590	23,2	2 FK 6X12, 2 GSM 306	173,46	1
F	KLAB 200 F	190	7,5	2 FK 6X10 E3, 2 GSM 306 E3	44,60	1
F	KLAB 300 F	290	11,4	2 FK 6X10 E3, 2 GSM 306 E3	69,62	1
F	KLAB 400 F	390	15,4	2 FK 6X10 E3, 2 GSM 306 E3	94,65	1
F	KLAB 500 F	490	19,3	2 FK 6X10 E3, 2 GSM 306 E3	157,37	1
F	KLAB 600 F	590	23,2	2 FK 6X10 E3, 2 GSM 306 E3	190,42	1
E3	KLAB 200 E3	190	7,5	2 FK 6X10 E3, 2 GSM 306 E3	41,08	1
E3	KLAB 300 E3	290	11,4	2 FK 6X10 E3, 2 GSM 306 E3	63,97	1
E3	KLAB 400 E3	390	15,4	2 FK 6X10 E3, 2 GSM 306 E3	86,87	1
E3	KLAB 500 E3	490	19,3	2 FK 6X10 E3, 2 GSM 306 E3	144,25	1
E3	KLAB 600 E3	590	23,2	2 FK 6X10 E3, 2 GSM 306 E3	174,49	1

Suitable for: cable ladder KL...



Cable Ladder Mounting Bracket

Model no.	Acc. incl.	Weight per 100 pcs kg	Pack/Box Qty
S KLTB 6	1 FLM 6X16 F	2,13	50
F KLTB 6 F	1 FLM 6X16 F	2,22	50
E3 KLTB 6 E3	1 FLM 6X12 E3	2,37	50
E5 KLTB 6 E5	1 FLM 6X12 E5	2,40	50

hold down clamp to fix cable ladders on brackets

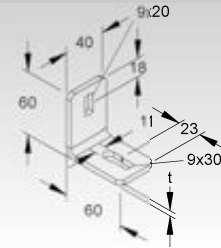
2 pieces required per bracket



Two Hole Corner Angle

Model no.	Thick-ness t mm	Acc. incl.	Weight per 100 pcs kg	Pack/Box Qty
F WWU 150/8	5	1 FLM 8X16 F	19,11	50
E3 WWU 150/8 E3	4	1 FLM 8X16 E3	14,87	50
E5 WWU 150/8 E5	4	1 SKM 8X16 E5	14,62	50

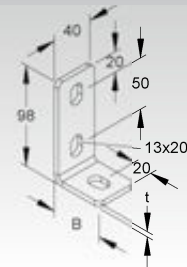
for floor-, ceiling- or wall-mounting



Three Hole Corner Angle

Model no.	Width B mm Inch	Thick-ness t mm	Acc. incl.	Weight per 100 pcs kg	Pack/Box Qty
F WWA 100	50,0 2	5	1 FLM 10X25 F	24,98	50
E3 WWA 100 E3	48,5 1,9	4	1 FLM 10X25 E3	19,42	50

for floor-, ceiling- or wall-mounting

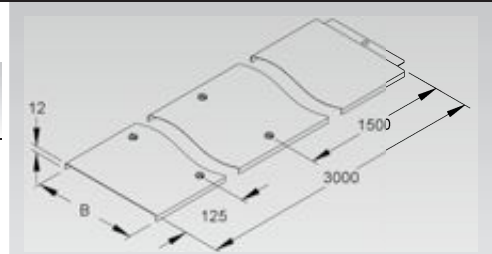


CABLE LADDER SYSTEM ACCESSORIES

Cover for Cable Tray/Ladder

with turnbolt locks

Model no.	Inside dimension B mm Inch	Weight per 100 m kg	Pack/Box Qty
S RDV 200	202 8	133,44	2 x 3 m
S RDV 300	302 11,9	231,02	2 x 3 m
S RDV 400	402 15,8	335,56	2 x 3 m
S RDV 500	502 19,8	414,60	2 x 3 m
S RDV 600	602 23,7	493,63	2 x 3 m
F RDV 200 F	202 8	146,79	2 x 3 m
F RDV 300 F	302 11,9	254,13	2 x 3 m
F RDV 400 F	402 15,8	369,12	2 x 3 m
F RDV 500 F	502 19,8	456,06	2 x 3 m
F RDV 600 F	602 23,7	542,99	2 x 3 m

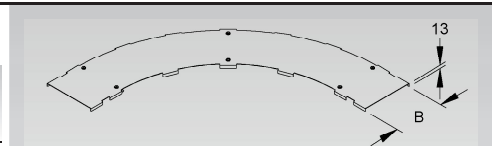


Suitable for: all straight sections of cable tray (other than RSV 50...) as well as for cable ladders KL...
For outdoor service covers need to be secured against windloads using heavy duty cover clamps or steel cable ties.

Cover for 90° Horizontal Elbow (small radius)

with turnbolt locks

Model no.	Inside dimension B mm Inch	Weight per 100 pcs kg	Pack/Box Qty
S KLBKDV 200	203 8	202,76	1
S KLBKDV 300	303 11,9	317,53	1
S KLBKDV 400	403 15,9	444,62	1
S KLBKDV 500	503 19,8	584,04	1
S KLBKDV 600	603 23,7	735,79	1
F KLBKDV 200 F	203 8	223,04	1
F KLBKDV 300 F	303 11,9	349,28	1
F KLBKDV 400 F	403 15,9	489,08	1
F KLBKDV 500 F	503 19,8	642,44	1
F KLBKDV 600 F	603 23,7	809,37	1

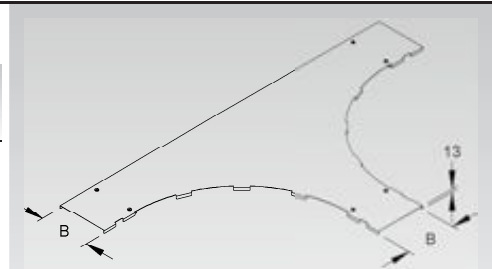


Suitable for: horizontal elbows 90° (small radius) KLBK...
For outdoor service covers need to be secured against windloads using heavy duty cover clamps or steel cable ties.

Cover for Horizontal Tee

with turnbolt locks

Model no.	Inside dimension B mm Inch	Weight per 100 pcs kg	Pack/Box Qty
S KLTDV 200	203 8	444,10	1
S KLTDV 300	303 11,9	636,22	1
S KLTDV 400	403 15,9	844,03	1
S KLTDV 500	503 19,8	1.067,55	1
S KLTDV 600	603 23,7	1.306,77	1
F KLTDV 200 F	203 8	488,51	1
F KLTDV 300 F	303 11,9	699,84	1
F KLTDV 400 F	403 15,9	928,44	1
F KLTDV 500 F	503 19,8	1.174,31	1
F KLTDV 600 F	603 23,7	1.437,45	1



Suitable for: horizontal tees KLT...
For outdoor service covers need to be secured against windloads using heavy duty cover clamps or steel cable ties.



Turnbolt Lock

incl. locking nut

Model no.	Acc. incl.	Weight per 100 pcs kg	Pack/Box Qty
S RDRS 9	1 FL 6X12-S V, 1 SMS 6 V	1,2	100
F RDRS 9 F	1 FL 6X12-S E3, 1 SMS 6 E3, 1 US M8 E3	1,6	100

for field modifications of covers

Suitable for: cover RDV...

Not sufficient for securing covers to tray installed vertically or sideways nor for securing covers against windloads. Please use self tapping screws, steel cable ties or coverhinges in addition.

