

## **NXCITO** LINE

### **ONE CLICK - FINISHED!**

- ➔ **Easy Handling:**  
*NXCITO* wire mesh tray can be installed smoothly and quickly even in confined spaces.
- ➔ **No need for bolts and splices:**  
*NXCITO* wire mesh trays are connected with a patented snap lock mechanism that ensures the same load rating as bolted splices.
- ➔ ***NXCITO* Wire Mesh Tray is fully compatible with all existing accessories.**  
Grounding lugs, mounting plates for junction boxes ...



## WIRE MESH TRAY SYSTEM



- Wire Mesh Tray
- Dividers
- Covers
- Accessories
- Fittings

All straight sections of cable tray as well as their corresponding system components (fittings, splice plates, covers, ...) are classified by UL in accordance with NEMA VE 1 for the USA and CSA C22.1 No. 126.1 for Canada. An 'X' in the part number will be added for labeling according to UL instructions (see catalog page 46).

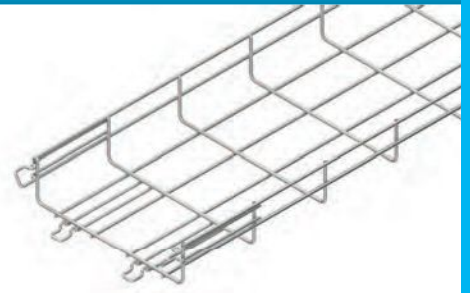


**NXCITO** LINE

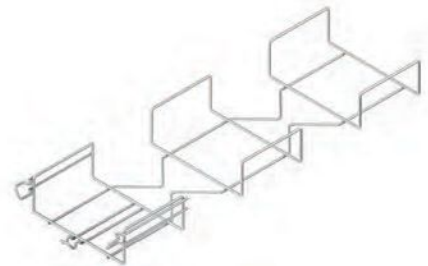
Wire Mesh Tray is lightweight, flexible and easy to install. Due to its small surface area there is no accumulation of dirt or humidity. Cable ventilation is perfect. There is no need for long term advanced planning and ordering. Just get straight sections of tray, a few accessories like the universal splice kit and a bolt cutter and you are ready to go. All kinds of fittings can be done onsite easily.

Wire Mesh Tray is available in many finishes and can be used in industrial and commercial environments, inside and outside.

MTC 54...



MTCE 54...



MTCC...



GRKHV 173...



# WIRE MESH TRAY SYSTEM .....

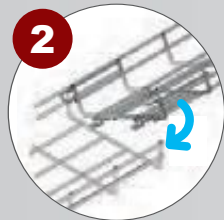
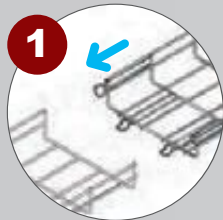
## Available Side Rail Heights

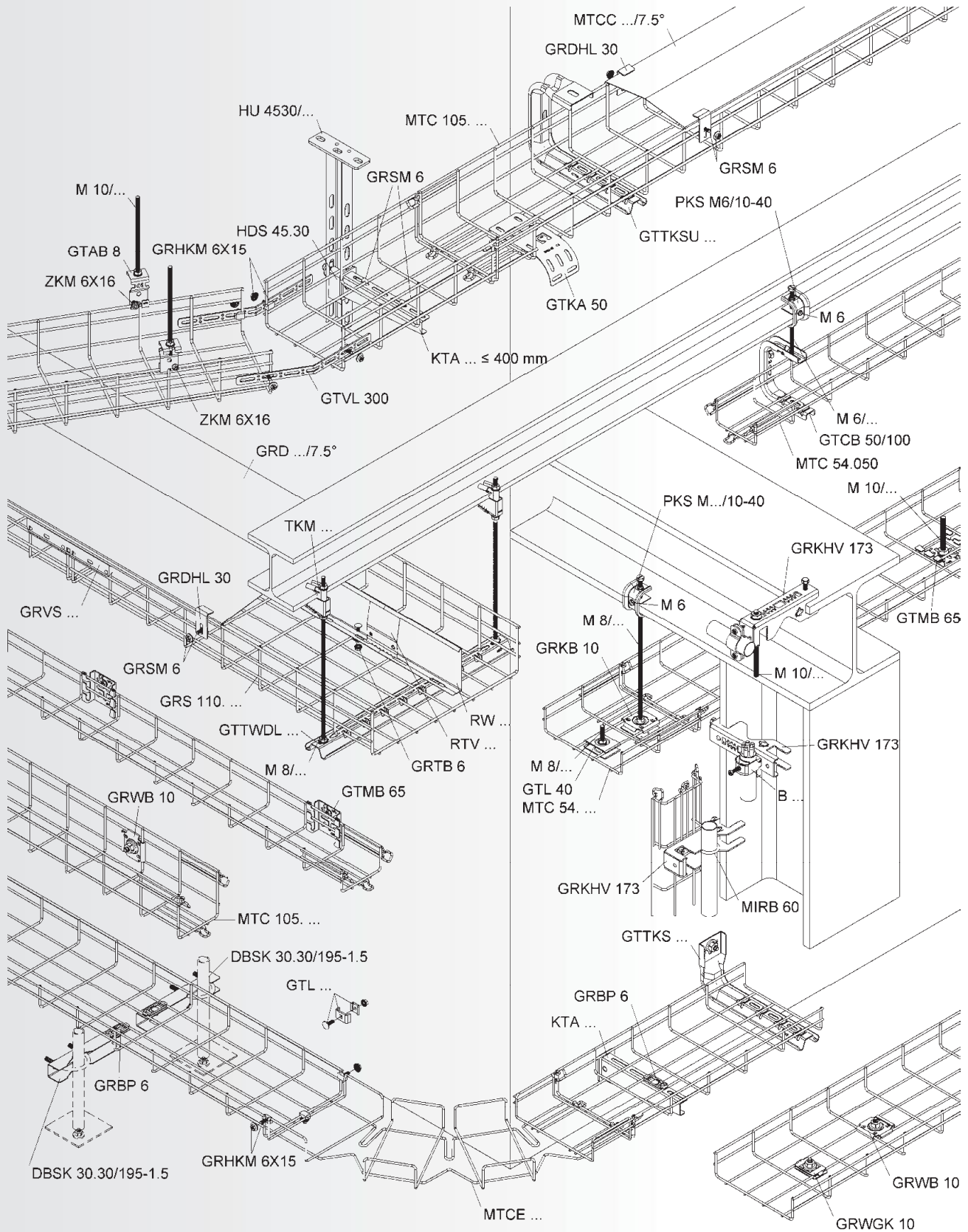
Height 54 mm	Nominal 2 inches	Height 60 mm	Nominal 2 3/8 inches	Height 105 mm	Nominal 4 inches	Height 110 mm	Nominal 4 3/8 inches	Height 160 mm	Nominal 6 inches
--------------------	------------------------	--------------------	----------------------------	---------------------	------------------------	---------------------	----------------------------	---------------------	------------------------

SYSTEM			
	Cito Line Wire Mesh Tray	MTC 54...	Page 168
	Flexible Horizontal and Vertical Elbow	MTCE 54...	Page 168
	Cito Line Wire Mesh Tray	MTC 105...	Page 169
	★ Flexible Horizontal and Vertical Elbow	MTCE 105...	Page 169
ACCESSORIES	Peaked Cover for MTC Wire Mesh Tray	MTCC...	Page 170
	Retaining Bracket	GRDHL...	Page 170
	Universal Splice Bolt for Wire Mesh Tray	GRHKM 6X15...	Page 171
	Heavy Duty Splice Bolt for Wire Mesh Tray	GTVM 6X25...	Page 171
	Bendable Multifunction Splice Bar	GTVL 300...	Page 171
	Square Splice Washer	GTL 20...	Page 171
	U-Shaped Square Washer	GTL 30...	Page 171
	Large Square Splice Washer/Clamping Bracket	GTL 40...	Page 171
	Mushroom Head Bolt	FLM 6X20...	Page 172
	J-Hook Bolt	GRSM 6...	Page 172
	Divider	RW...	Page 172
	Splice Plate for Divider	RTV...	Page 172
	★ Mounting Clamp for Divider	GRTB 6...	Page 172
	Cable Drop Out	GTKA 50...	Page 173
	Wall and Box Mount Bracket for Wire Mesh Tray	GTMB 65...	Page 173
	Trapeze Hanger for Wire Mesh Tray	GTAB 8...	Page 173
	Attachment Clip for MTC Wire Mesh Tray	GTWAB 50...	Page 174
	★ Wire Mesh Mounting Clamp	GRKHV 173...	Page 174
	Hanger/ Wall Bracket for Wire Mesh Tray	GTTKS...	Page 174
	Wall/Ceiling Bracket for Wire Mesh Tray	GTTKSU...	Page 175
	C-Bracket for Mesh Tray	GTCB 50/100...	Page 175
	★ Center Hanger/Trapeze Support for Wire Mesh Basket	GTTWDL...	Page 175
	★ Pedestal Clamp	DBSK 30.30-195-1.5	Page 176
	U-Bolt	MIRB 60 F	Page 176

Please find the nominal dimensions of accessories in the chart section.

MTC <sup>NX</sup>CITO Wire Mesh Tray - fast and easy installed.





## Wire Mesh Cable Tray Specifications:

### ➔ A. CABLE TRAY DESIGN

1. Wire mesh cable tray shall utilize high mechanical strength steel wire that is welded into a 2" x 4" (50 mm x 100 mm) grid system. This grid is then formed into channels, which support and carry cables and permit ventilation of cables and maximum heat dissipation.

### ➔ B. MATERIAL

1. **Electro-plated zinc galvanized: ASTM B633.**  
To be applied to welded and formed wire mesh surfaces.
2. **Hot dipped galvanized steel.**  
All trays to be hot-dipped galvanized after fabrication in accordance with ASTM A123.
3. **Stainless steel.**  
All trays are to be constructed of AISI type 304 or type 316 stainless steel for maximum corrosion resistance
4. **Epoxy Powder Coated Paint:**  
available on special request

### ➔ C. TRAY SIZE

1. **Height:** Trays shall have an overall height of 2.3", 4.3" and 6.3" (60, 110 and 160 mm)
2. **Width:** Widths shall be 2", 4", 6", 8", 12", 16", 18" 20" and 24" (50/60, 100, 150, 200, 300, 400, 450, 500 and 600 mm).
3. **Length:** Length shall be a nominal 10' or 3 meters.

### ➔ D. FITTINGS:

1. Shall be fabricated in the field by cutting wires with offset blade bolt cutters. Cuts shall be made in a manner reducing sharp edges and projections so they do not harm cables or installation personnel.
2. **Dividers.** Provide pre-galvanized steel, full depth divider strips to follow the contours of the mesh sections to allow different wiring systems to be run in the same tray.
3. **Supports.** Manufacturers specified supports and hardware are to be used for installation
4. **Splices.** Two options available, bolted type or non bolted to splice sections end to end, in pre-galvanized steel, hot dipped galvanized steel, and stainless steel.

### ➔ E. UL CLASSIFICATION

1. Straight sections shall be UL classified as an equipment grounding conductor

### ➔ F. DESIGN AND MANUFACTURE

1. GRX/GRSX series cable tray shall be manufactured by The Niedax Group.
2. MTCX series cable tray shall be manufactured by The Niedax Group.



➔ **Load/Span Class Designation in accordance with NEMA VE 1 and CSA E22.2 No. 126.1**

Niedax Series	Minimum Area		Load class in accordance to NEMA VE 1		
	(calculational) mm <sup>2</sup> / in. <sup>2</sup>	in accordance to NEMA VE 2 mm <sup>2</sup> / in. <sup>2</sup>	Rated Load Kg/m / lb./ft.	Support spacing m / ft.	Load/Span Class
MTCX 54.050 V	60 / 0.09	-	37 / 25	1.5 / 5	5AA
MTCX 54.100 V	72 / 0.11	-	37 / 25	1.5 / 5	5AA
MTCX 54.150 V	84 / 0.13	-	37 / 25	1.5 / 5	5AA
MTCX 54.200 V	96 / 0.15	-	37 / 25	1.5 / 5	5AA
MTCX 54.300 V	181 / 0.28	129 / 0.2	37 / 25	2.4 / 8	8AA
MTCX 54.400 V	217 / 0.34	129 / 0.2	37 / 25	2.4 / 8	8AA
MTCX 54.450 V	235 / 0.36	129 / 0.2	37 / 25	2.4 / 8	8AA
MTCX 54.500 V	253 / 0.39	129 / 0.2	37 / 25	2.4 / 8	8AA
MTCX 54.600 V	290 / 0.45	258 / 0.4	37 / 25	2.4 / 8	8AA
MTCX 54.050 F	60 / 0.09	-	37 / 25	1.5 / 5	5AA
MTCX 54.100 F	72 / 0.11	-	37 / 25	1.5 / 5	5AA
MTCX 54.150 F	84 / 0.13	-	37 / 25	1.5 / 5	5AA
MTCX 54.200 F	96 / 0.15	-	37 / 25	1.5 / 5	5AA
MTCX 54.300 F	181 / 0.28	129 / 0.2	37 / 25	2.4 / 8	8AA
MTCX 54.400 F	217 / 0.34	129 / 0.2	37 / 25	2.4 / 8	8AA
MTCX 54.450 F	235 / 0.36	129 / 0.2	37 / 25	2.4 / 8	8AA
MTCX 54.500 F	253 / 0.39	129 / 0.2	37 / 25	2.4 / 8	8AA
MTCX 54.600 F	290 / 0.45	258 / 0.4	37 / 25	2.4 / 8	8AA
MTCX 105.100 V	96 / 0.15	129 / 0.2	37 / 25	1.5 / 5	5AA
MTCX 105.150 V	108 / 0.17	129 / 0.2	37 / 25	1.5 / 5	5AA
MTCX 105.200 V	181 / 0.28	129 / 0.2	37 / 25	2.4 / 8	8AA
MTCX 105.300 V	217 / 0.34	129 / 0.2	74 / 50	2.4 / 8	8A
MTCX 105.400 V	253 / 0.39	129 / 0.2	74 / 50	2.4 / 8	8A
MTCX 105.450 V	271 / 0.42	258 / 0.4	74 / 50	2.4 / 8	8A
MTCX 105.500 V	290 / 0.45	258 / 0.4	74 / 50	2.4 / 8	8A
MTCX 105.600 V	326 / 0.5	258 / 0.4	74 / 50	2.4 / 8	8A
MTCX 105.100 F	96 / 0.15	129 / 0.2	37 / 25	1.5 / 5	5AA
MTCX 105.150 F	108 / 0.17	129 / 0.2	37 / 25	1.5 / 5	5AA
MTCX 105.200 F	181 / 0.28	129 / 0.2	37 / 25	2.4 / 8	8AA
MTCX 105.300 F	217 / 0.34	129 / 0.2	74 / 50	2.4 / 8	8A
MTCX 105.400 F	253 / 0.39	129 / 0.2	74 / 50	2.4 / 8	8A
MTCX 105.450 F	271 / 0.42	258 / 0.4	74 / 50	2.4 / 8	8A
MTCX 105.500 F	290 / 0.45	258 / 0.4	74 / 50	2.4 / 8	8A
MTCX 105.600 F	326 / 0.5	258 / 0.4	74 / 50	2.4 / 8	8A

# WIRE MESH TRAY SYSTEM

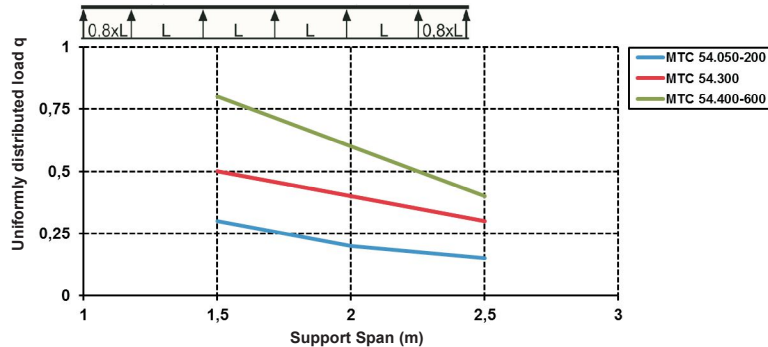
## Cito Line Wire Mesh Tray

with integrated snap lock mechanism

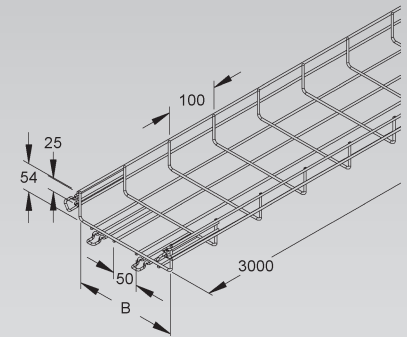
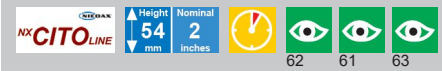
	Model no.	Inside width B		Steel wire-Ø lengthwise		Steel wire-Ø crosswise		Weight per 100 kg	Pack/Box Qty
		mm	Inch	mm	Inch	mm	Inch		
V	MTC 54.050 V	50	2	3,90	0,2	3,90	0,2	62,98	2 x 3 m
V	MTC 54.100 V	100	3,9	3,90	0,2	3,90	0,2	76,66	2 x 3 m
V	MTC 54.150 V	150	5,9	3,90	0,2	3,90	0,2	89,91	2 x 3 m
V	MTC 54.200 V	200	7,9	3,90	0,2	3,90	0,2	104,16	2 x 3 m
V	MTC 54.300 V	300	11,8	4,82	0,2	4,82	0,2	202,94	2 x 3 m
V	MTC 54.400 V	400	15,7	4,82	0,2	5,82	0,2	283,58	2 x 3 m
V	MTC 54.450 V	450	17,7	4,82	0,2	5,82	0,2	313,33	2 x 3 m
V	MTC 54.500 V	500	19,7	4,82	0,2	5,82	0,2	333,23	2 x 3 m
V	MTC 54.600 V	600	23,6	4,82	0,2	5,82	0,2	382,80	2 x 3 m
F	MTC 54.050 F	50	2	3,90	0,2	3,90	0,2	68,94	2 x 3 m
F	MTC 54.100 F	100	3,9	3,90	0,2	3,90	0,2	84,33	2 x 3 m
F	MTC 54.150 F	150	5,9	3,90	0,2	3,90	0,2	98,90	2 x 3 m
F	MTC 54.200 F	200	7,9	3,90	0,2	3,90	0,2	114,58	2 x 3 m
F	MTC 54.300 F	300	11,8	4,82	0,2	4,82	0,2	223,24	2 x 3 m
F	MTC 54.400 F	400	15,7	4,82	0,2	5,82	0,2	311,94	2 x 3 m
F	MTC 54.450 F	450	17,7	4,82	0,2	5,82	0,2	344,67	2 x 3 m
F	MTC 54.500 F	500	19,7	4,82	0,2	5,82	0,2	366,55	2 x 3 m
F	MTC 54.600 F	600	23,6	4,82	0,2	5,82	0,2	421,08	2 x 3 m

MTC wire mesh tray can be special ordered in AISI 304 (E3) and AISI 316L (E4) stainless steel. Certain restrictions apply!

Load Chart: q = uniformly distributed load (tested according to DIN EN IEC 61537 standard)



Specified load ratings are independent of splice plate location.

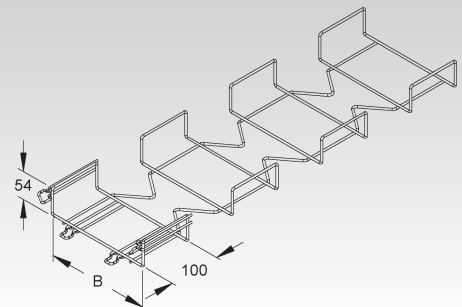
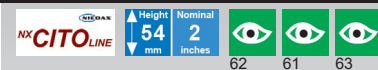


## Flexible Horizontal and Vertical Elbow

with integrated splice connector

	Model no.	Inside width B		Weight per 100 kg	Pack/Box Qty
		mm	Inch		
V	MTCE 54.100 V	100	3,9	30,55	1
V	MTCE 54.150 V	150	5,9	34,76	1
V	MTCE 54.200 V	200	7,9	54,45	1
V	MTCE 54.300 V	300	11,8	106,80	1
F	MTCE 54.100 F	100	3,9	33,61	1
F	MTCE 54.150 F	150	5,9	38,24	1
F	MTCE 54.300 F	300	11,8	117,48	1
F	MTCE 54.200 F	200	7,9	59,90	1

Suitable for: wire mesh tray MTC 54...



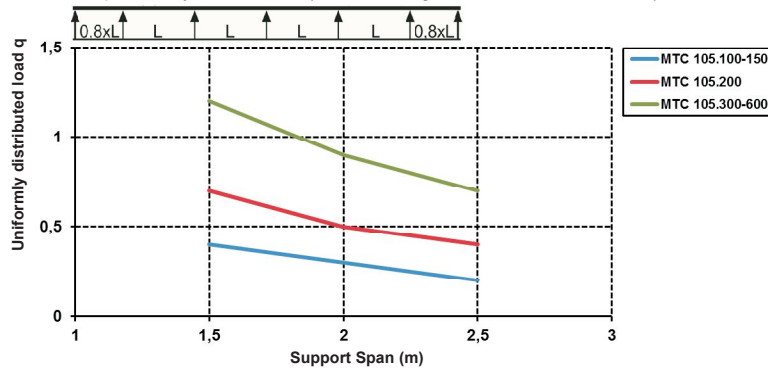
## Cito Line Wire Mesh Tray

with integrated snap lock mechanism

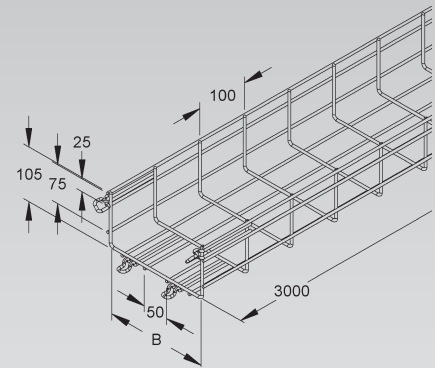
Model no.	Inside width B mm   Inch	Steel wire-Ø lengthwise mm   Inch	Steel wire-Ø crosswise mm   Inch	Weight per 100 kg	Pack/ Box Qty
V MTC 105.100 V	100   3,9	3,90   0,2	3,90   0,2	104,37	2 x 3 m
V MTC 105.150 V	150   5,9	3,90   0,2	3,90   0,2	117,61	2 x 3 m
V MTC 105.200 V	200   7,9	4,82   0,2	4,82   0,2	203,45	2 x 3 m
V MTC 105.300 V	300   11,8	4,82   0,2	5,82   0,2	280,79	2 x 3 m
V MTC 105.400 V	400   15,7	4,82   0,2	5,82   0,2	325,95	2 x 3 m
V MTC 105.450 V	450   17,7	4,82   0,2	5,82   0,2	363,33	2 x 3 m
V MTC 105.500 V	500   19,7	4,82   0,2	5,82   0,2	373,30	2 x 3 m
V MTC 105.600 V	600   23,6	4,82   0,2	5,82   0,2	421,64	2 x 3 m
F MTC 105.100 F	100   3,9	3,90   0,2	3,90   0,2	114,80	2 x 3 m
F MTC 105.150 F	150   5,9	3,90   0,2	3,90   0,2	129,37	2 x 3 m
F MTC 105.200 F	200   7,9	4,82   0,2	4,82   0,2	223,80	2 x 3 m
F MTC 105.300 F	300   11,8	4,82   0,2	5,82   0,2	308,86	2 x 3 m
F MTC 105.400 F	400   15,7	4,82   0,2	5,82   0,2	358,55	2 x 3 m
F MTC 105.450 F	450   17,7	4,82   0,2	5,82   0,2	399,67	2 x 3 m
F MTC 105.500 F	500   19,7	4,82   0,2	5,82   0,2	410,63	2 x 3 m
F MTC 105.600 F	600   23,6	4,82   0,2	5,82   0,2	463,81	2 x 3 m

MTC wire mesh tray can be special ordered in AISI 304 (E3) and AISI 316L (E4) stainless steel. Certain restrictions apply!

Load Chart: q = uniformly distributed load (tested according to DIN EN IEC 61537 standard)



Specified load ratings are independent of splice plate location.

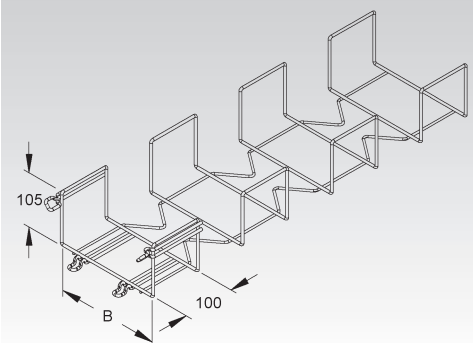
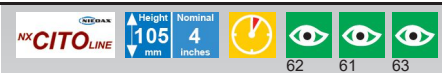


## Flexible Horizontal and Vertical Elbow

with integrated splice connector

Model no.	Inside width B mm   Inch	Weight per 100 kg	Pack/ Box Qty
V MTCE 105.100 V	100   3,9	38,4	1
V MTCE 105.150 V	150   5,9	42,6	1
V MTCE 105.200 V	200   7,9	93,9	1
V MTCE 105.300 V	300   11,8	154,3	1

Suitable for: wire mesh tray MTC 105...





# WIRE MESH TRAY SYSTEM .....

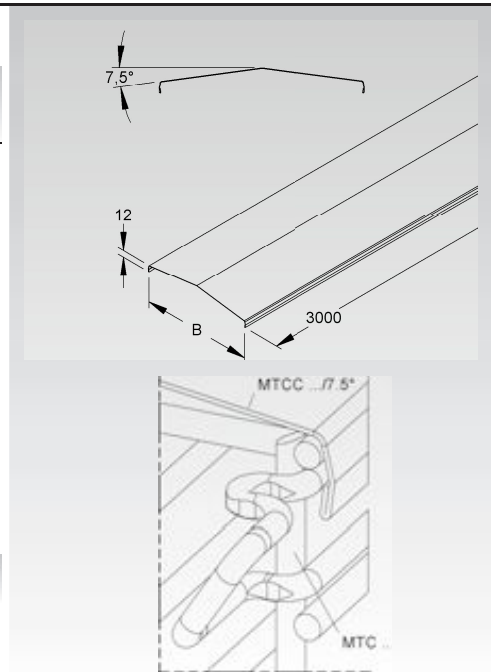
## Peaked Snapon Cover for Wire Mesh Tray

with 7.5° pitch

	Model no.	Width B		Thick-ness t	Weight per 100 kg	Pack/Box Qty
		mm	Inch			
S	MTCC 50/7.5° S	62,5	2,5	0,50	37,82	3 m
S	MTCC 100/7.5° S	111,0	4,4	0,75	86,04	3 m
S	MTCC 150/7.5° S	161,0	6,3	0,75	115,61	3 m
S	MTCC 200/7.5° S	213,0	8,4	0,75	146,02	3 m
S	MTCC 300/7.5° S	315,0	12,4	0,90	248,69	3 m
S	MTCC 400/7.5° S	416,0	16,4	0,90	314,86	3 m
S	MTCC 500/7.5° S	517,0	20,4	1,00	429,58	3 m
S	MTCC 600/7.5° S	617,0	24,3	1,00	508,76	3 m
F	MTCC 50/7.5° F	62,5	2,5	0,50	41,61	3 m
F	MTCC 100/7.5° F	111,0	4,4	0,75	94,64	3 m
F	MTCC 150/7.5° F	161,0	6,3	0,75	127,17	3 m
F	MTCC 200/7.5° F	213,0	8,4	0,75	160,62	3 m
F	MTCC 300/7.5° F	315,0	12,4	0,90	273,56	3 m
F	MTCC 400/7.5° F	416,0	16,4	0,90	346,34	3 m
F	MTCC 500/7.5° F	517,0	20,4	1,00	472,54	3 m
F	MTCC 600/7.5° F	617,0	24,3	1,00	559,63	3 m

These covers are intended for horizontal installations only. Please use GRDHL... clamps to secure the cover in all vertical installations.

Suitable for: wire mesh tray MTC...

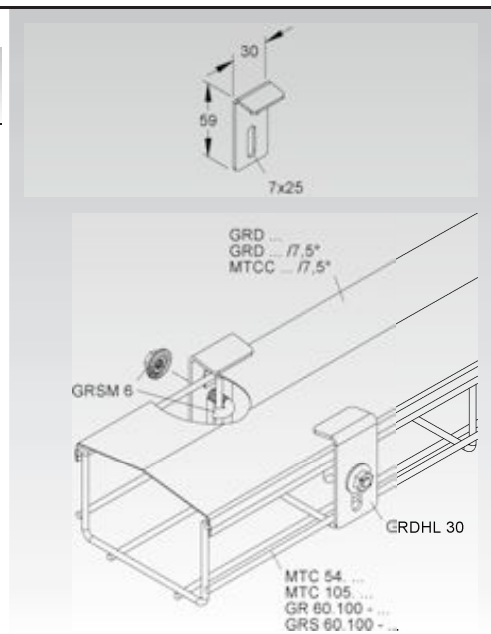


## Retaining Bracket

	Model no.	Weight per 100 pc/kg	Pack/Box Qty
S	GRDHL 30 S	3,27	50
F	GRDHL 30 F	3,60	50
E3	GRDHL 30 E3	3,29	50

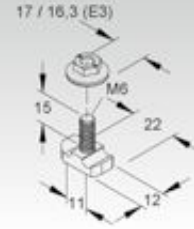
Suitable for: wire mesh tray covers GRD... and MTCC...

For securing covers on vertically mounted trays.  
GRSM 6 J-hook bolts are not included.



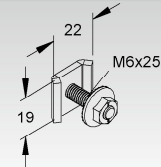
### Universal Splice Bolt for Wire Mesh Tray

Model no.	Strength category	Weight per 100 pcs kg	Pack/Box Qty
<b>V</b> GRHKM 6X15 V	8.8	1,83	50
<b>F</b> GRHKM 6X15 F	8.8	1,83	50
<b>E3</b> GRHKM 6X15 E3	70	1,82	50



### Heavy Duty Splice Bolt for Wire Mesh Tray

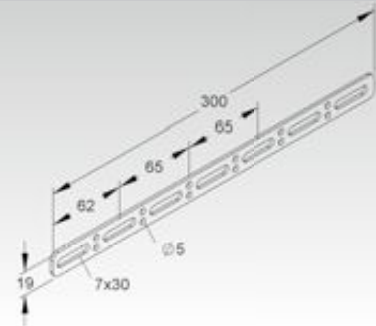
Model no.	Weight per 100 pc kg	Pack/Box Qty
<b>V</b> GTVM 6X25 V	2	50
<b>FG</b> GTVM 6X25 FG	2	50
<b>E4</b> GTVM 6X25 E4	2	50



### Bendable Multifunction Splice Bar

Model no.	Weight per 100 kg	Pack/Box Qty
<b>V</b> GTVL 300 V	8	50
<b>E3</b> GTVL 300 E3	8	50

Available also in F and E4 finish as well as in 600 and 1200 mm length. GRSM 6 hardware not included.

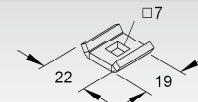


### Square Splice Washer

Model no.	Weight per 100 kg	Pack/Box Qty
<b>V</b> GTL 20 V	0,6	50
<b>FG</b> GTL 20 FG	0,9	50
<b>E3</b> GTL 20 E3	0,6	50
<b>E4</b> GTL 20 E4	0,6	50



61

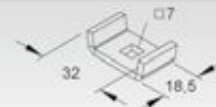


### U-Shaped Square Washer

Model no.	Weight per 100 kg	Pack/Box Qty
<b>V</b> GTL 30 V	1,5	50
<b>FG</b> GTL 30 FG	1,5	50
<b>E3</b> GTL 30 E3	1,5	50
<b>E4</b> GTL 30 E4	1,5	50



61



Use GTL 20 and GTL 30 with FLM 6X20 as heavy duty splicekit.

### Large Square Splice Washer/Clamping Bracket

Model no.	Weight per 100 kg	Pack/Box Qty
<b>V</b> GTL 40 V	3,6	50
<b>FG</b> GTL 40 FG	3,6	50
<b>E3</b> GTL 40 E3	4,0	50
<b>E4</b> GTL 40 E4	3,6	50



# WIRE MESH TRAY SYSTEM ACCESSORIES .....

## Mushroom Head Bolt

serrated flange nut included

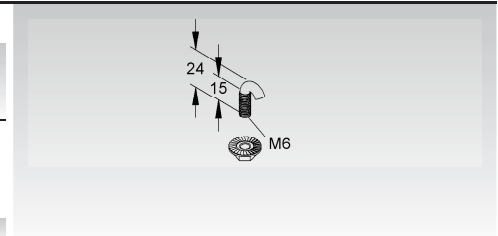
Model no.	Thread M	Length L mm   Inch	Strength category	Weight per 100 kg	Pack/ Box Qty
<b>G</b> FLM 6X20 G	6	20   0,8	-	0,9	100
<b>FG</b> FLM 6X20 FG	6	20   0,8	-	0,7	100
<b>E4</b> FLM 6X20 E4	6	20   0,8	-	0,9	100



## J-Hook Bolt

Model no.	Thread M	Weight per 100 pcs kg	Pack/ Box Qty
<b>V</b> GRSM 6 V	6	1,16	50
<b>F</b> GRSM 6 F	6	1,16	50
<b>E3</b> GRSM 6 E3	6	1,15	50

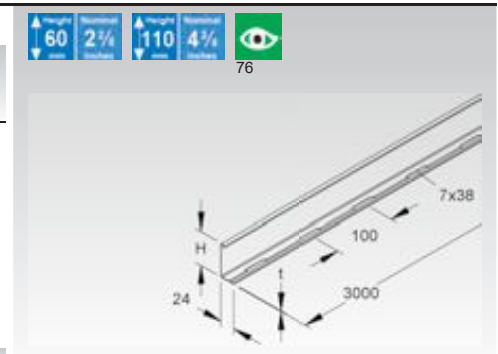
for attaching wire mesh tray



## Divider

Model no.	Height H mm   Inch	Thick- ness t mm	Acc. incl.	Weight per 100 m/ kg	Pack/ Box Qty
<b>S</b> RW 60	55   2,2	0,75	4 FLM 6X12	49,86	10 x 3 m
<b>S</b> RW 110	98   3,9	0,90	4 FLM 6X12	90,37	10 x 3 m
<b>F</b> RW 60 F	55   2,2	0,75	4 FLM 6X12 F	54,87	10 x 3 m
<b>F</b> RW 110 F	98   3,9	0,90	4 FLM 6X12 F	99,30	10 x 3 m
<b>E3</b> RW 60 E3	55   2,2	0,80	4 FLM 6X12 E3	53,48	10 x 3 m
<b>E3</b> RW 110 E3	98   3,9	0,90	4 FLM 6X12 E3	88,73	10 x 3 m
<b>E5</b> RW 60 E5	55   2,2	0,80	4 FLM 6X12 E5	53,86	10 x 3 m
<b>E5</b> RW 110 E5	98   3,9	0,90	4 FLM 6X12 E5	81,25	10 x 3 m

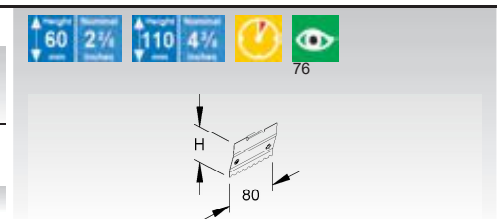
to separate wires and cables of different voltage levels or with different functions



## Splice Plate for Divider

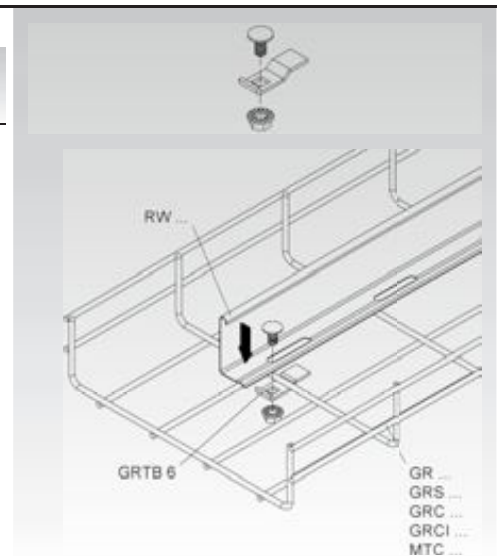
Model no.	Height H mm   Inch	Length L mm   Inch	Weight per 100 pcs kg	Pack/ Box Qty
<b>E2</b> RTV 60 E2	54,5   2,1	80   3,1	1,39	20
<b>E2</b> RTV 110 E2	97,5   3,8	80   3,1	2,50	20

for positive locking connections and proper bonding of dividers



## Mounting Clamp for Divider

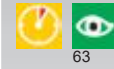
Model no.	Acc. incl.	Weight per 100 kg	Pack/ Box Qty
* <b>S</b> GRTB 6 S	1 FLM 6X12 V	1,70	20
* <b>F</b> GRTB 6 F	1 FLM 6X12 F	1,92	20
* <b>E3</b> GRTB 6 E3	1 FLM 6X12 E3	1,73	20



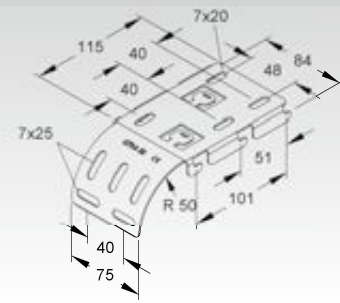
### Cable Drop Out

Model no.	Weight per 100 pcs/kg	Pack/Box Qty
<b>S</b> GTKA 50 S	16,5	10
<b>FG</b> GTKA 50 FG	17,6	10
<b>E3</b> GTKA 50 E3	14,0	10
<b>E4</b> GTKA 50 E4	14,0	10

Suitable for: wire mesh trays MTC... and GRS...



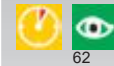
63



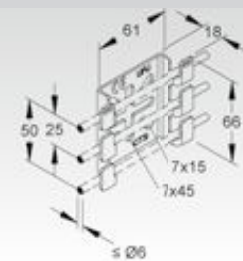
### Wall and Box Mount Bracket for Wire Mesh Tray

Model no.	Weight per 100 kg	Pack/Box Qty
<b>S</b> GTMB 65 S	8,6	20
<b>FG</b> GTMB 65 FG	8,7	20
<b>E3</b> GTMB 65 E3	9,0	20
<b>E4</b> GTMB 65 E4	9,0	20

Suitable for: wire mesh tray MTC... only  
Does not work with GR... or GRS... trays!

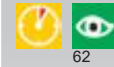


62

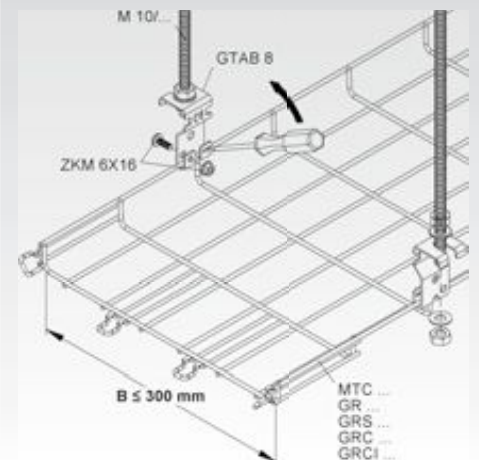
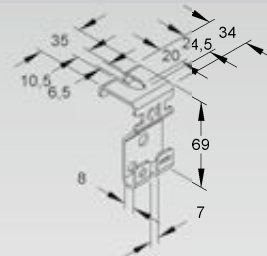


### Trapeze Hanger for Wire Mesh Tray

Model no.	Weight per 100 kg	Pack/Box Qty
<b>S</b> GTAB 8 S	7,0	20
<b>FG</b> GTAB 8 FG	7,0	20
<b>E3</b> GTAB 8 E3	7,0	20
<b>E4</b> GTAB 8 E4	5,7	20



62



# WIRE MESH TRAY SYSTEM ACCESSORIES .....

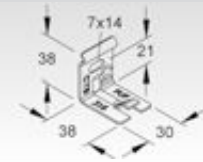
## Attachment Clip for Wire Mesh Tray

Model no.	Weight per 100 pc kg	Pack/Box Qty
<b>S</b> GTWAB 50 S	2,6	50
<b>FG</b> GTWAB 50 FG	2,6	50
<b>E3</b> GTWAB 50 E3	3,0	50

for attaching wire mesh tray to walls and brackets



63



## Wire Mesh Mounting Clamp

horizontal and vertical

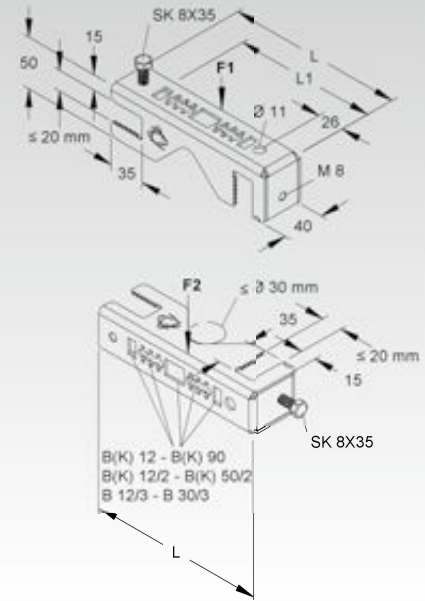
Model no.	Total length L mm   Inch	Support length L1 mm	F1 Load bearing capacity kN	F2 Load bearing capacity kN	Acc. incl.	Weight per 100 kg	Pack/Box Qty
<b>S</b> GRKHV 173 S	173   6,8	148	0,60	0,9	1 SK 8X35 V	36,77	10
<b>E3</b> GRKHV 173 E3	173   6,8	148	0,35	0,6	1 SK 8X35 E3	37,01	10

for mounting wire mesh tray to horizontal or vertical I-beam flanges of up to 20 mm thickness

Suitable for: wire mesh trays GR..., GRS... and MTC... 100-... series



64

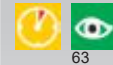


## Hanger/Wall Bracket for Wire Mesh Tray

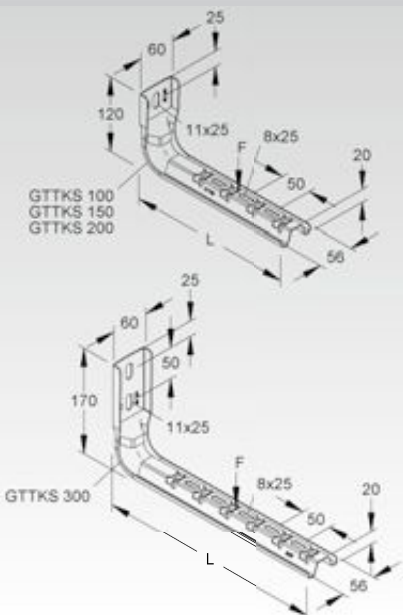
Model no.	Height H mm   Inch	Length L mm   Inch	Max. load F at L/2 kN	Weight per 100 pcs kg	Pack/Box Qty
<b>S</b> GTTKS 150 S	120   4,7	215   8,5	1,08	38	20
<b>S</b> GTTKS 200 S	120   4,7	265   10,4	0,86	43	20
<b>S</b> GTTKS 300 S	170   6,7	365   14,4	0,64	60	20
<b>E4</b> GTTKS 150 E4	120   4,7	215   8,5	1,08	38	20
<b>E4</b> GTTKS 200 E4	120   4,7	265   10,4	0,86	43	20

Specifically designed for boltless attachment of wire mesh tray.

The load rating shown is valid only for proper anchorage to the building structure.



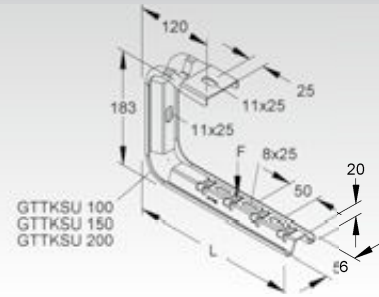
63



### Wall/Ceiling Bracket for Wire Mesh Tray

Model no.		Height H		Length L		Max. load F at L/2 kN	Weight per 100 kg	Pack/Box Qty
		mm	Inch	mm	Inch			
S	GTTKSU 100 S	183	7,2	165	6,5	1,22	53	1
S	GTTKSU 150 S	183	7,2	215	8,5	1,00	60	1
S	GTTKSU 200 S	183	7,2	265	10,4	0,81	67	1

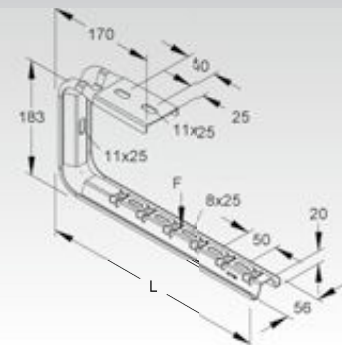
The load rating shown is only valid for proper anchorage to the building structure.



### Wall/Ceiling Bracket for Wire Mesh Tray

Model no.		Height H		Length L		Max. load F at L/2 kN	Weight per 100 kg	Pack/Box Qty
		mm	Inch	mm	Inch			
S	GTTKSU 300 S	183	7,2	365	14,4	0,64	85	1

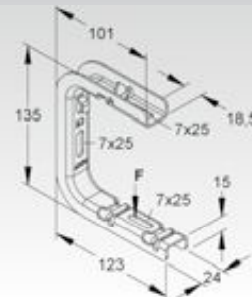
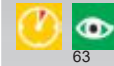
The load rating shown is only valid for proper anchorage to the building structure.



### C-Bracket for Wire Mesh Tray

Model no.		Max. load F at L/2 kN	Weight per 100 kg	Pack/Box Qty
S	GTCB 50/100 S			
FG	GTCB 50/100 FG	0,2	20	25
E3	GTCB 50/100 E3	0,2	20	25

Suitable for: wire mesh tray MTC... in 50 and 100 mm only



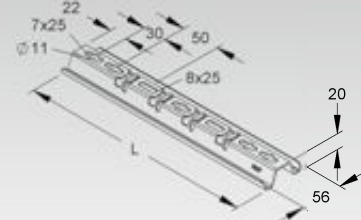
### Center Hanger/Trapeze Support for Wire Mesh Tray

with two holes at each end

Model no.		Length L		Weight per 100 kg	Pack/Box Qty
		mm	Inch		
S	GTTWDL 100 S	204	8	26	10
S	GTTWDL 150 S	254	10	32	10
S	GTTWDL 200 S	304	12	38	10
S	GTTWDL 300 S	404	15,9	50	10
S	GTTWDL 400 S	504	19,8	62	10
S	GTTWDL 500 S	604	23,8	74	10
S	GTTWDL 600 S	704	27,7	86	10

for wire mesh trays with at least two longitudinal wires at a 50 mm spacing

Suitable for: wire mesh trays MTC..., GR... and GRS...



# WIRE MESH TRAY SYSTEM ACCESSORIES .....

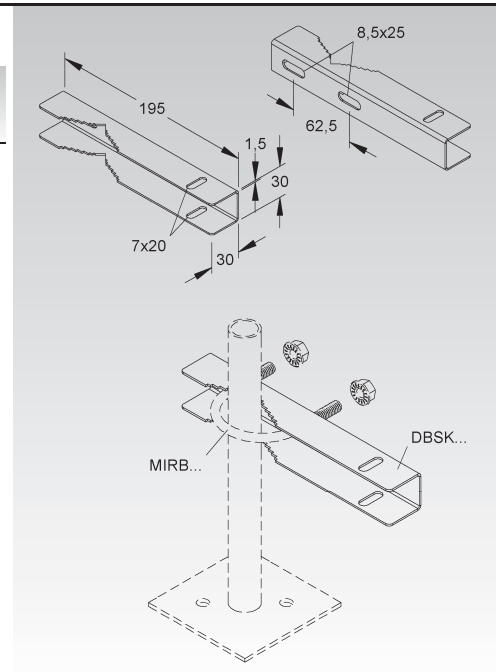
## Pedestal Clamp

asymmetric

Model no.	Height H		Width B		Length L		Thick-ness t mm	Weight per 100 kg	Pack/ Box Qty
	mm	Inch	mm	Inch	mm	Inch			
★ <b>S</b> DBSK 30.30/195-1.5 S	30	1,2	30	1,2	195	7,7	1,5	17,37	1

For attaching trapeze supports to raised floor stanchions.

Order U-Bolts separately.



## U-Bolt

Model no.	Dia- meter (Ø) mm	Weight per 100 pc. kg	Pack/ Box Qty
<b>F</b> MIRB 60 F	60	13,31	20

