



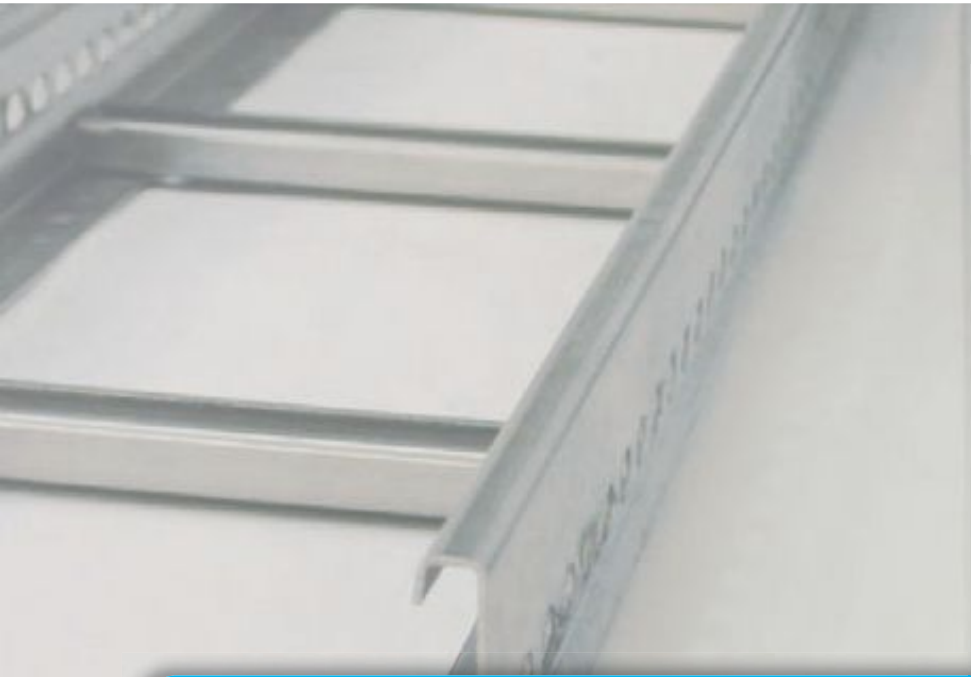
VERTICAL CABLE LADDER SYSTEM



- Vertical Cable Ladder
- Splice Plates
- Accessories

All straight sections of cable tray as well as their corresponding system components (fittings, splice plates, covers, ...) are classified by UL in accordance with NEMA VE 1 for the USA and CSA C22.1 No. 126.1 for Canada. An 'X' in the part number will be added for labeling according to UL instructions (see catalog page 46).





Niedax vertical cable ladders are available in a wide range of sizes and finishes. They are designed to mount cables directly to the horizontal rungs using various kinds and sizes of Niedax yoke clamps. Light and medium duty versions can be bolted directly to the wall, the heavy duty version based on the I 80 profile is mounted using a wall support bracket.

STUC 60/...



STIC 86/...



STVWA...



SPC 86...



III

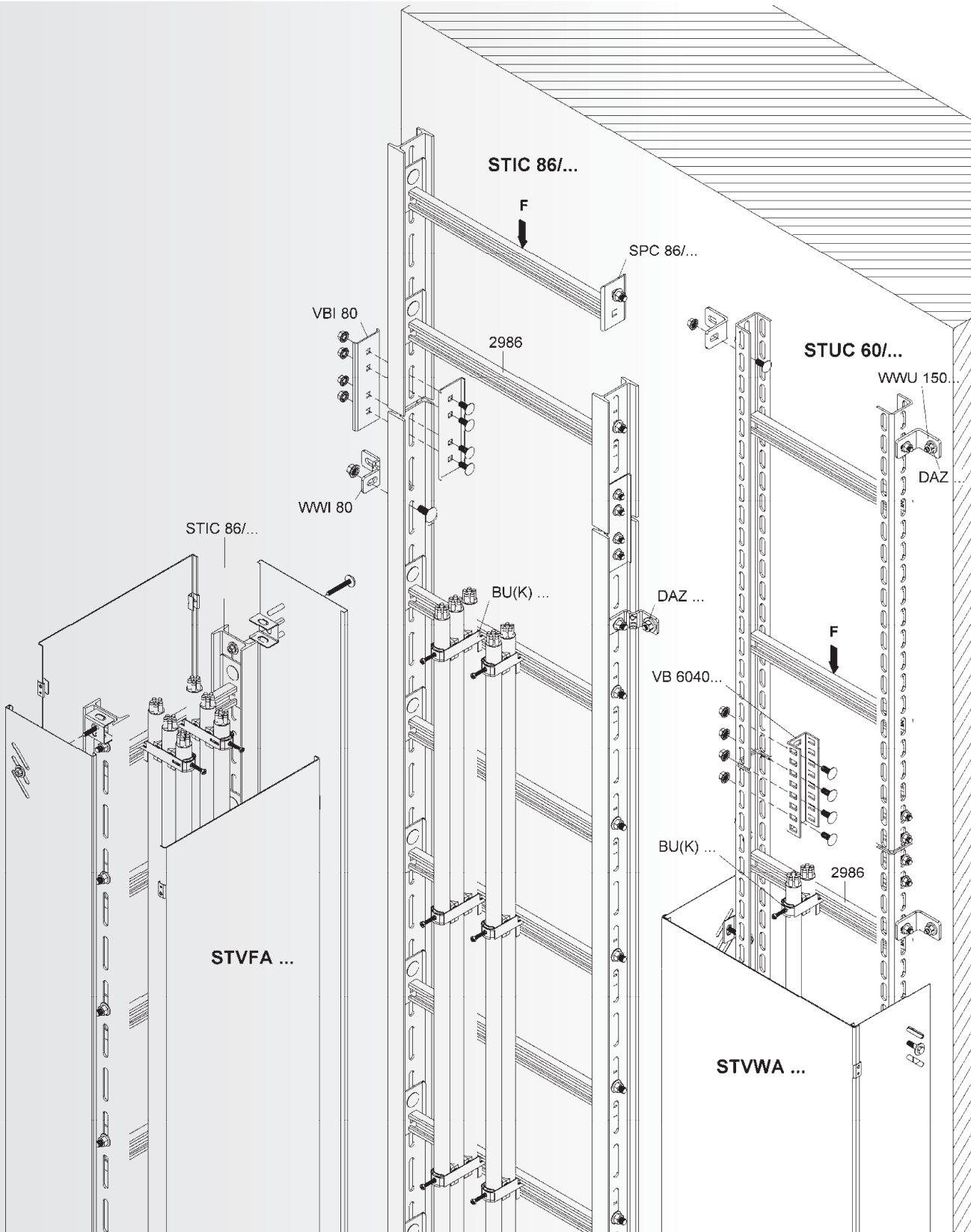
VERTICAL CABLE LADDER SYSTEM

Available Side Rail Heights



SYSTEM	Vertical Cable Ladder	STUC...	Page 290
	Vertical Cable Ladder	STIC...	Page 292
ACCESSORIES	Rungs for Vertical Cable Ladders	SPCKL...	Page 290
	★ Mounting Clamp for Divider	KLWC 18 F	Page 290/293
	Straight Splice Plate	VB 6040	Page 291
	Profile U 6040	U 6040...	Page 291
	Protective End Cap	SKU 6040	Page 291
	Two Hole Corner Angle	WWU 150	Page 291
	Three Hole Corner Angle	WWA 100	Page 292
	Rungs for Vertical Cable Ladders	SPC 86/...	Page 293
	Straight Splice Plate	VBI 80	Page 293
	Head Plate	KI 80	Page 293
	Head Plate	KIQ 80	Page 293
	Profile I 80	I 80/...	Page 294
	Protective End Cap	SKI 80	Page 294
	Two Hole Corner Angle for I 80	WWI 80	Page 294
	Enclosure Panel Kit for Vertical Ladder	STVWA...	Page 295
	Enclosure Panel Kit for Vertical Ladder	STVFA...	Page 295
	Mounting Kit for Enclosure Panel	STVDP 30.43...	Page 295
	★ Heavy Duty Cover Clamp	RDHFS 9 VZL	Page 295





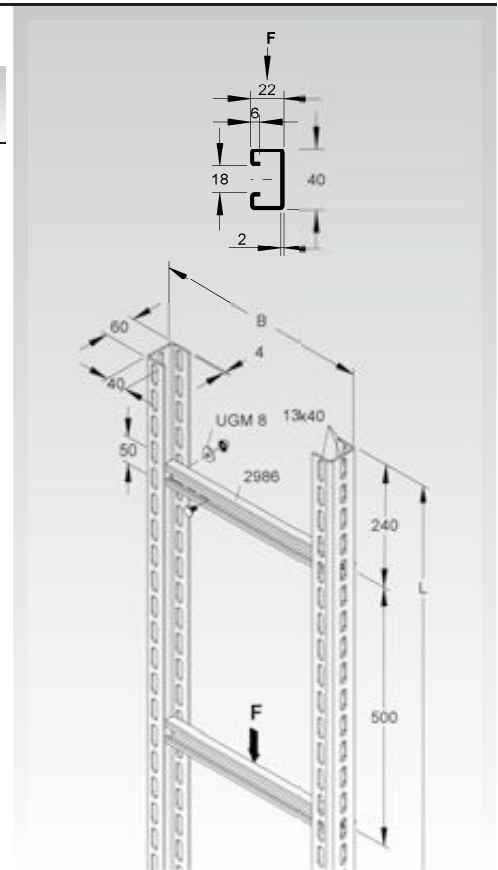
VERTICAL CABLE LADDER SYSTEM

Vertical Cable Ladder

delivered as a kit (not assembled)

	Model no.	Height H		Width B		Length L		Max. load F	Weight per 100 m kg	Pack/Box Qty
		mm	Inch	mm	Inch	mm	Inch			
F	STUC 60/205 F	60	2,4	215	8,5	4500	177,2	1,75	755,1	4,5 m
F	STUC 60/305 F	60	2,4	315	12,4	4500	177,2	1,75	788,0	4,5 m
F	STUC 60/405 F	60	2,4	415	16,3	4500	177,2	1,75	820,8	4,5 m
F	STUC 60/505 F	60	2,4	515	20,3	4500	177,2	1,75	853,7	4,5 m
F	STUC 60/605 F	60	2,4	615	24,2	4500	177,2	1,75	886,6	4,5 m
F	STUC 60/705 F	60	2,4	715	28,1	4500	177,2	1	919,5	4,5 m
F	STUC 60/805 F	60	2,4	815	32,1	4500	177,2	1	952,4	4,5 m
F	STUC 60/905 F	60	2,4	915	36	4500	177,2	1	985,3	4,5 m
F	STUC 60/1005 F	60	2,4	1015	40	4500	177,2	1	1.018,1	4,5 m
F	STUC 60/1105 F	60	2,4	1115	43,9	4500	177,2	1	1.051,0	4,5 m
F	STUC 60/1205 F	60	2,4	1215	47,8	4500	177,2	1	1.083,9	4,5 m

50 mm center distance for punch holes 13x40 mm on all 3 sides of the rail

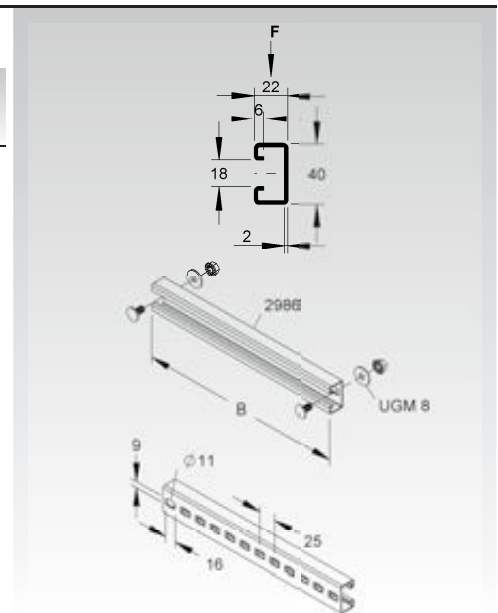


Rungs for Vertical Cable Ladders

C-rail type 2986 (40x22x2 mm), for additional needs

	Model no.	Width B		Max. load F	Acc. incl.	Weight per 100 pc. kg	Pack/Box Qty
		mm	Inch				
F	SPCKL 86/200 F	200	7,9	1,75	2 FLM 8X16 F, 2 UGM 8 F	38,76	1
F	SPCKL 86/300 F	300	11,8	1,75	2 FLM 8X16 F, 2 UGM 8 F	55,20	1
F	SPCKL 86/400 F	400	15,7	1,75	2 FLM 8X16 F, 2 UGM 8 F	71,65	1
F	SPCKL 86/500 F	500	19,7	1,75	2 FLM 8X16 F, 2 UGM 8 F	88,09	1
F	SPCKL 86/600 F	600	23,6	1,75	2 FLM 8X16 F, 2 UGM 8 F	104,53	1
F	SPCKL 86/700 F	700	27,6	1	2 FLM 8X16 F, 2 UGM 8 F	120,97	1
F	SPCKL 86/800 F	800	31,5	1	2 FLM 8X16 F, 2 UGM 8 F	137,42	1
F	SPCKL 86/900 F	900	35,4	1	2 FLM 8X16 F, 2 UGM 8 F	153,85	1
F	SPCKL 86/1000 F	1000	39,4	1	2 FLM 8X16 F, 2 UGM 8 F	170,30	1
F	SPCKL 86/1100 F	1100	43,3	1	2 FLM 8X16 F, 2 UGM 8 F	186,74	1
F	SPCKL 86/1200 F	1200	47,2	1	2 FLM 8X16 F, 2 UGM 8 F	203,19	1

Suitable for: vertical cable ladder STUC 60/...F

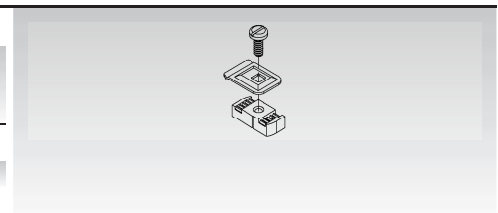


Mounting Clamp for Divider

	Model no.	Acc. incl.	Weight per 100 kg	Pack/Box Qty	
*	F	KLWC 18 F	FK 6X16 E3, GMZ M6 F	4,97	50

for framing channel with a slot width of 18 mm (e.g. STUC 60... and STIC 86...)

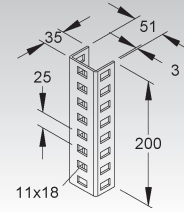
Suitable for: divider RW...



Straight Splice Plate

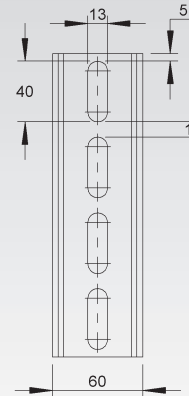
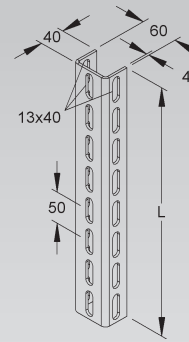
Model no.	Acc. incl.	Weight per 100 pcs kg	Pack/Box Qty
F VB 6040	4 FLM 10X25 F	61,2	10

Suitable for: profile U 4530/... and U 6040/...
Slotted hole size 11x18 mm, 25 mm pitch.

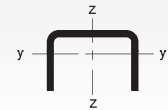


Profile U 6040

Model no.	Length L		Weight per 100 m kg	Pack/Box Qty
	mm	Inch		
F U 6040/3000 F	3000	118,1	338,68	3 m
F U 6040/6000 F	6000	236,2	338,68	6 m



$I_y = 20,40 \text{ cm}^4$
 $I_z = 6,92 \text{ cm}^4$



$W_y = 6,82 \text{ cm}^3$
 $W_z = 2,57 \text{ cm}^3$

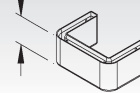
Protective End Cap

Model no.	Color	Weight per 100 pcs kg	Pack/Box Qty
K03 SKU 6040	yellow	1,32	20

Suitable for: profile U 6040/..., overhead hanger HU 6040/... and vertical cable ladder STUC...



ca. 27 mm

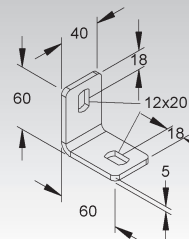


Two Hole Corner Angle

Model no.	Acc. incl.	Weight per 100 pcs kg	Pack/Box Qty
F WWU 150	1 FLM 10X25 F	21,03	50

for floor-, ceiling- or wall-mounting

Suitable for: U-profiles U 4530/..., U 5050/... and U 6040/...

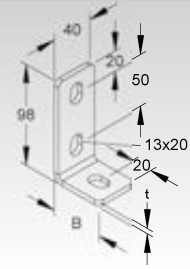


VERTICAL CABLE LADDER SYSTEM

Three Hole Corner Angle

Model no.	Width B mm Inch	Thick-ness t mm	Acc. incl.	Weight per 100 pcs kg	Pack/Box Qty
F WWA 100	50 2	5	1 FLM 10X25 F	24,98	50

for floor-, ceiling- or wall-mounting



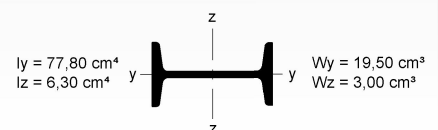
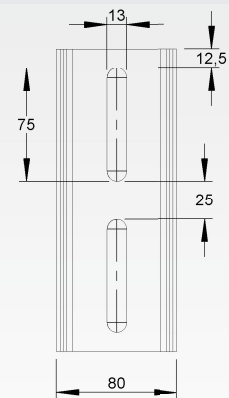
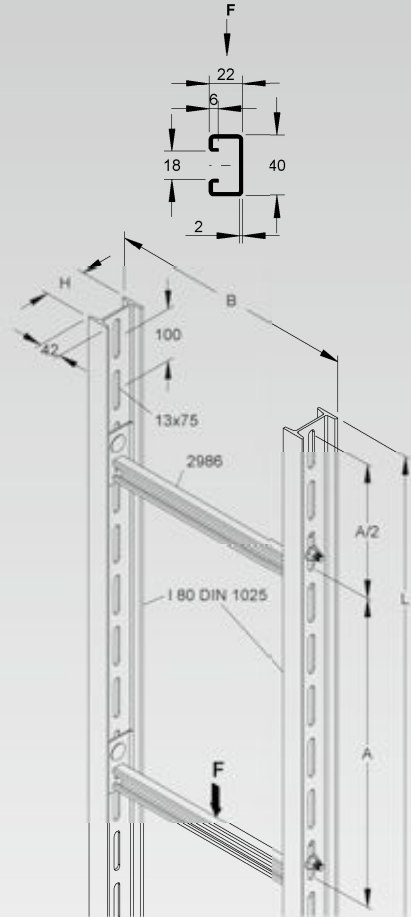
Vertical Cable Ladder

heavy-duty version, delivered as a kit (not assembled)

Model no.	Height H mm Inch	Width B mm Inch	Max. load F kN	Acc. incl.	Weight per 100 m kg	Pack/Box Qty
F STIC 86/206	80 3,1	280 11	1,75	20 FLM 12X30 F	1.388,52	6 m
F STIC 86/306	80 3,1	380 15	1,75	20 FLM 12X30 F	1.417,67	6 m
F STIC 86/406	80 3,1	480 18,9	1,75	20 FLM 12X30 F	1.446,82	6 m
F STIC 86/506	80 3,1	580 22,8	1,75	20 FLM 12X30 F	1.475,97	6 m
F STIC 86/606	80 3,1	680 26,8	1,75	20 FLM 12X30 F	1.505,12	6 m
F STIC 86/706	80 3,1	780 30,7	1	20 FLM 12X30 F	1.534,27	6 m
F STIC 86/806	80 3,1	880 34,6	1	20 FLM 12X30 F	1.563,42	6 m
F STIC 86/906	80 3,1	980 38,6	1	20 FLM 12X30 F	1.592,58	6 m
F STIC 86/1006	80 3,1	1080 42,5	1	20 FLM 12X30 F	1.621,73	6 m
F STIC 86/1106	80 3,1	1180 46,5	1	20 FLM 12X30 F	1.650,88	6 m
F STIC 86/1206	80 3,1	1280 50,4	1	20 FLM 12X30 F	1.680,03	6 m

side rails are made of profile I 80 (DIN 1025 compliant), rungs are made of framing channel 2986...

Standard rung spacing A=600 mm (24 Inch)

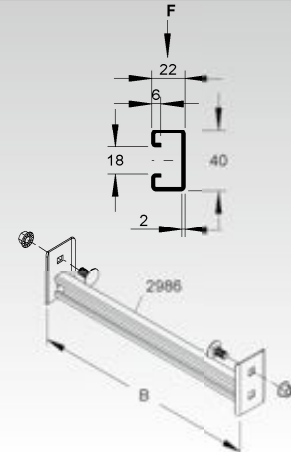


Rungs for Vertical Cable Ladders

C-rail type 2986 (40x22x2 mm), for additional needs

	Model no.	Width B		Max. load F	Acc. incl.	Weight per 100	Pack/ Box Qty
		mm	Inch				
F	SPC 86/200	234	9,2	1,75	2 FLM 12X30 F	87,7	1
F	SPC 86/300	334	13,1	1,75	2 FLM 12X30 F	105,2	1
F	SPC 86/400	434	17,1	1,75	2 FLM 12X30 F	122,7	1
F	SPC 86/500	534	21	1,75	2 FLM 12X30 F	140,2	1
F	SPC 86/600	634	25	1,75	2 FLM 12X30 F	157,7	1
F	SPC 86/700	734	28,9	1	2 FLM 12X30 F	175,1	1
F	SPC 86/800	834	32,8	1	2 FLM 12X30 F	192,6	1
F	SPC 86/900	934	36,8	1	2 FLM 12X30 F	210,1	1
F	SPC 86/1000	1034	40,7	1	2 FLM 12X30 F	227,6	1
F	SPC 86/1100	1134	44,6	1	2 FLM 12X30 F	245,1	1
F	SPC 86/1200	1234	48,6	1	2 FLM 12X30 F	262,6	1

Suitable for: vertical cable ladder STIC 86/...

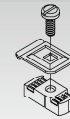


Mounting Clamp for Divider

	Model no.	Acc. incl.	Weight per 100	Pack/ Box Qty
			kg	
*	F KLWC 18 F	FK 6X16 E3, GMZ M6 F	4,97	50

for framing channel with a slot width of 18 mm (e.g. STUC 60... and STIC 86...)

Suitable for: divider RW...

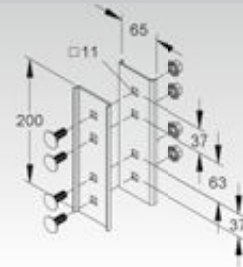


Straight Splice Plate

	Model no.	Acc. incl.	Weight per 100 pair	Pack/ Box Qty
			kg	
F	VBI 80	4 FLM 10X25 F	76	5 sets

2 pieces required per joint

Suitable for: profile I 80/... and overhead hanger HI 80/...

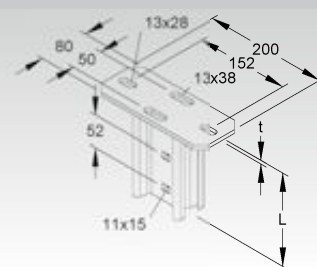


Head Plate

	Model no.	Total length L	Thickness of the head plate t	Acc. incl.	Weight per 100 pcs	Pack/ Box Qty
		mm Inch	mm Inch		kg	
F	KI 80	151 5,9	6 0,2	2 FLM 10X25 F	135,9	1

for mounting on horizontal ceilings

Suitable for: profile I 80/...



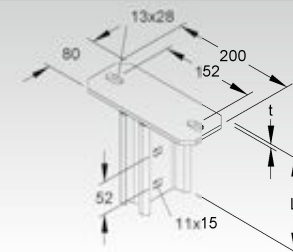
Head Plate

crosswise to profile I 80

	Model no.	Total length L	Thickness of the head plate t	Acc. incl.	Weight per 100 pc.	Pack/ Box Qty
		mm Inch	mm Inch		kg	
F	KIQ 80	151 5,9	6 0,2	2 FLM 10X25 F	151,76	1

for mounting on horizontal ceilings

Suitable for: profile I 80/...



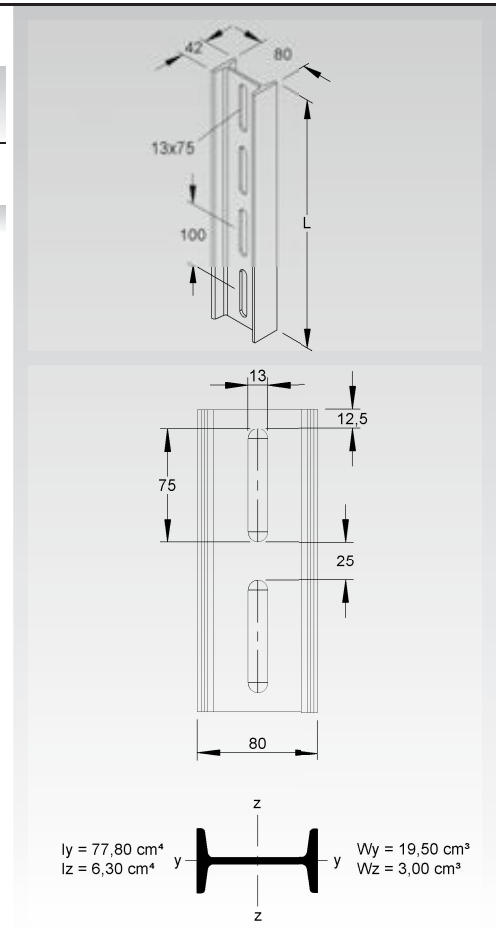
VERTICAL CABLE LADDER SYSTEM

Profile I 80

according to DIN 1025 standard

	Model no.	Length L		Weight per 100 m kg	Pack/Box Qty
		mm	Inch		
F	I 80/3000 FL	3000	118,1	622,3	3 m
F	I 80/6000 FL	6000	236,2	622,3	6 m

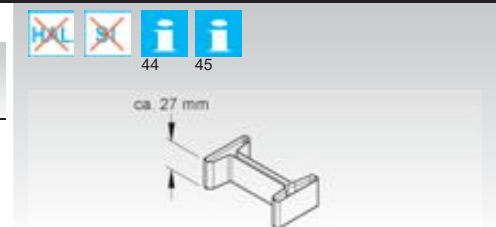
for building customized overhead hangers, floorstands or support frames



Protective End Cap

Model no.	Color	Weight per 100 pcs kg	Pack/Box Qty
K03 SKI 80	yellow	1,54	20

Suitable for: profile I 80/... as well as overhead hanger HI 80/...



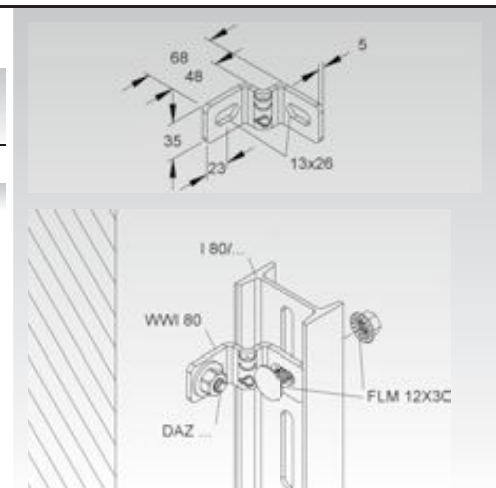
Two Hole Corner Angle for I 80

equal-sided

Model no.	Acc. incl.	Weight per 100 pc. kg	Pack/Box Qty
F WWI 80	1 FLM 12X30 F	28,67	50

for wall-mounting of profile I 80/...

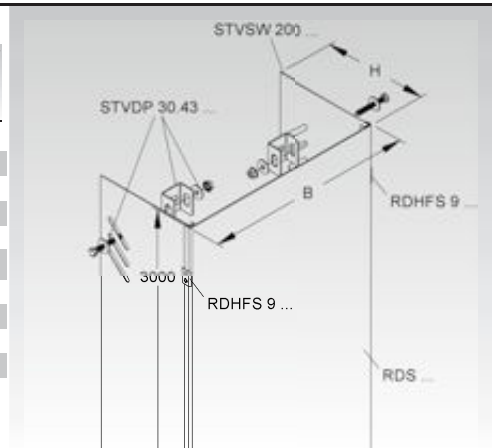
Suitable for: profile I 80/..., overhead hangers HI 80/... and vertical cable ladders of STIC.... and STIW...



Enclosure Panel Kit for Vertical Ladder

	Model no.	height H		Width B		Length L		Acc. incl.	Weight per 100 kg	Pack/Box Qty
		mm	Inch	mm	Inch	mm	Inch			
S	STVWA 200 S	203	8	309	12,2	3000	118,1	6 STVDP 30.43 S	877,11	3 m
S	STVWA 300 S	203	8	409	16,1	3000	118,1	6 STVDP 30.43 S	1.034,11	3 m
S	STVWA 400 S	203	8	509	20	3000	118,1	6 STVDP 30.43 S	1.191,11	3 m
S	STVWA 500 S	203	8	609	24	3000	118,1	6 STVDP 30.43 S	1.348,11	3 m
S	STVWA 600 S	203	8	709	27,9	3000	118,1	6 STVDP 30.43 S	1.505,11	3 m
F	STVWA 200 F	203	8	309	12,2	3000	118,1	6 STVDP 30.43 F	964,82	3 m
F	STVWA 300 F	203	8	409	16,1	3000	118,1	6 STVDP 30.43 F	1.137,52	3 m
F	STVWA 400 F	203	8	509	20	3000	118,1	6 STVDP 30.43 F	1.310,22	3 m
F	STVWA 500 F	203	8	609	24	3000	118,1	6 STVDP 30.43 F	1.482,92	3 m
F	STVWA 600 F	203	8	709	27,9	3000	118,1	6 STVDP 30.43 F	1.655,62	3 m

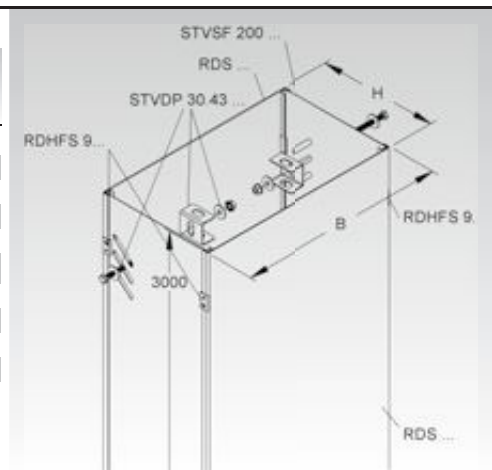
Suitable for: vertical cable ladders STUC 60/... and STIC 86/... only
 Kit contains 2 sidepanels, 6 brackets, 1 cover and 6 clamps.



Enclosure Panel Kit for Vertical Ladder

	Model no.	height H		Width B		Length L		Acc. incl.	Weight per 100 kg	Pack/Box Qty
		mm	Inch	mm	Inch	mm	Inch			
S	STVFA 200 S	236	9,3	309	12,2	3000	118,1	6 STVDP 30.43 S	1.468,23	3 m
S	STVFA 300 S	236	9,3	409	16,1	3000	118,1	6 STVDP 30.43 S	1.782,23	3 m
S	STVFA 400 S	236	9,3	509	20	3000	118,1	6 STVDP 30.43 S	2.096,23	3 m
S	STVFA 500 S	236	9,3	609	24	3000	118,1	6 STVDP 30.43 S	2.410,23	3 m
S	STVFA 600 S	236	9,3	709	27,9	3000	118,1	6 STVDP 30.43 S	2.724,23	3 m
F	STVFA 200 F	236	9,3	309	12,2	3000	118,1	6 STVDP 30.43 F	1.615,05	3 m
F	STVFA 300 F	236	9,3	409	16,1	3000	118,1	6 STVDP 30.43 F	1.960,45	3 m
F	STVFA 400 F	236	9,3	509	20	3000	118,1	6 STVDP 30.43 F	2.305,85	3 m
F	STVFA 500 F	236	9,3	609	24	3000	118,1	6 STVDP 30.43 F	2.651,25	3 m
F	STVFA 600 F	236	9,3	709	27,9	3000	118,1	6 STVDP 30.43 F	2.996,65	3 m

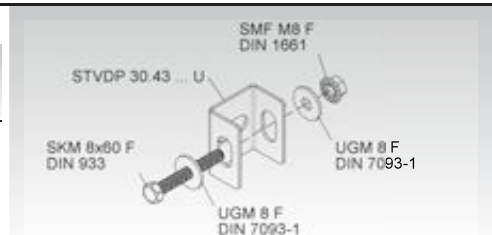
Suitable for: vertical cable ladders STUC 60/... and STIC 86/... only
 Kit contains 2 sidepanels, 6 brackets, 2 covers and 12 clamps.



Mounting Kit for Enclosure Panel

	Model no.	Weight per 100	Pack/Box Qty
		kg	
S	STVDP 30.43 S	10,70	6
F	STVDP 30.43 F	11,32	6

Suitable for: enclosure panel kit for vertical ladders STVWA... and STVFA... only



Heavy Duty Cover Clamp

	Model no.	Weight per 100	Pack/Box Qty
		kg	
VZL	RDHFS 9 VZL	1,07	60

Suitable for: all heavy duty covers in S and F finish for cable trays and fittings as well as for vertical ladder enclosure panels
 Not sufficient for securing covers against windloads. Please use self tapping screws, steel cable ties or coverhinges in addition.

