

LONG SPAN SYSTEM



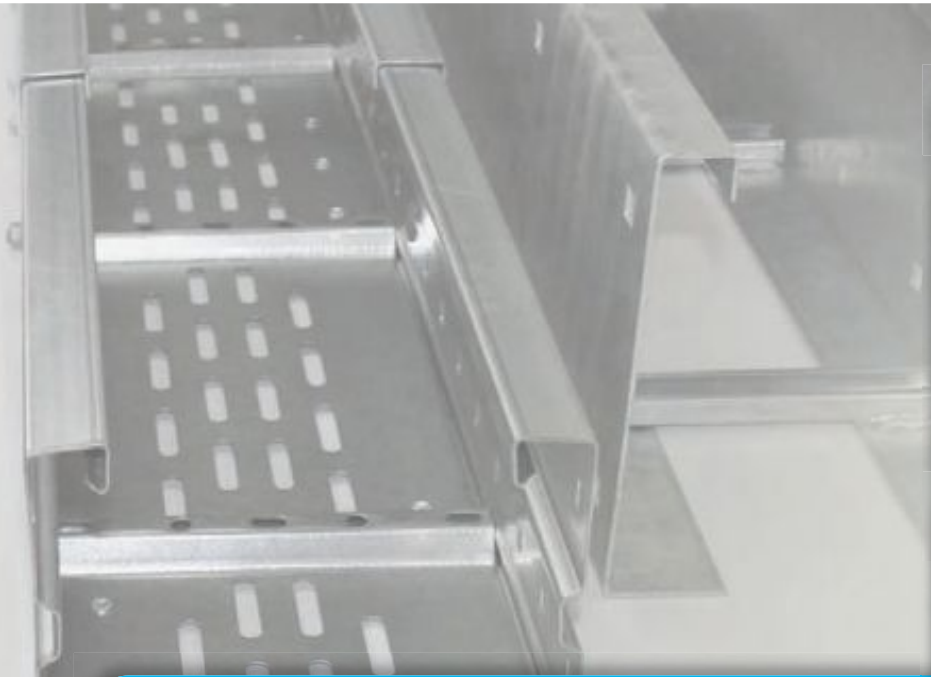
- Long Span Cable Tray
- Long Span Cable Ladder
- Fittings
- Accessories



Long support spans are causing high load ratings to each individual support. Load capacities shown are valid only for proper anchorage to the building structure. Please consult structural engineering for maximum allowable ratings and special local regulations.

All straight sections of cable tray as well as their corresponding system components (fittings, splice plates, covers, ...) are classified by UL in accordance with NEMA VE 1 for the USA and CSA C22.1 No. 126.1 for Canada. An 'X' in the part number will be added for labeling according to UL instructions (see catalog page 46).





The Long Span System is used where long support spans and high cable load capacities are required. Our heavy duty versions show a load rating of 20C according to NEMA. The main application for Long Span Cable Ladders are heavy duty power cables, while Long Span Trays allow a combination of control- and power cables. Like with all Niedax cable management systems you can select from a wide range of sizes, fittings and accessories in various material thicknesses and finishes.

WRL 105...



WRL 150...



WSL 105...



WSL 150...



LONG SPAN CABLE TRAY

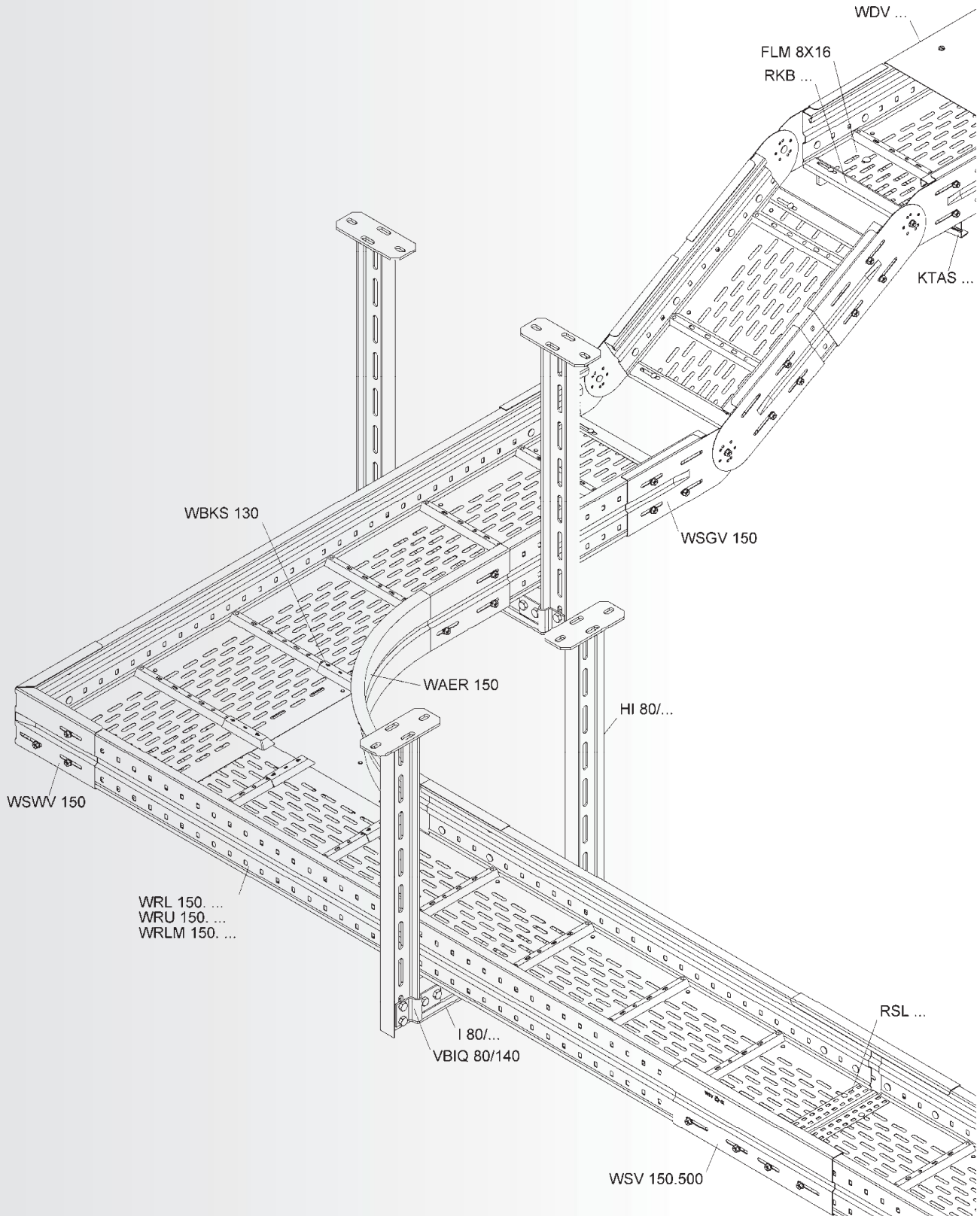
Available Side Rail Heights



SYSTEM			↑105 mm	↑150 mm
	Long Span Cable Tray	WRL...	Page 314	Page 318
	Long Span Cable Tray	WRU...	Page 314	Page 318
	Long Span Cable Tray	WRLM...	—	Page 319
ACCESSORIES	Splice Plate	WSV...	Page 315	Page 319
	Adjustable Splice Plate	WSGV...	Page 315	Page 319
	Adjustable Splice Plate	WSWV...	Page 315	Page 320
	Divider	RW...	Page 315/320	
	Splice Plate for Divider	RTV...	Page 315/320	
	Mounting Clamp for Divider	KLWC 16...	Page 316/320	
	Extension Horizontal Tee	WRTAR...	Page 316	Page 321
	Horizontal Elbow Building Block	WAER...	Page 316	Page 321
	Horizontal Elbow 90°	WRBR...	Page 317	Page 321
	Horizontal Tee	WRTR...	Page 317	Page 322
	Reducer	WSRS...	Page 317	Page 322
	Endplate	WSAS...	Page 317	Page 322
	Bottom Connection Plate	RSL...	Page 322	
	Edge Protection Plate	RKB...	Page 323	
	Edge Protection	WBKS 130 E3	Page 323	

Support Span L m	WRL 105...		WRL 150...		WRLM 150...	
	q kN/m	F kN	q kN/m	F kN	q kN/m	F kN
3	3,00	9,30	3,15	9,80	3,45	10,75
4	1,70	7,20	2,40	10,05	2,90	12,15
5	1,10	6,00	1,75	9,30	2,35	12,40
6	0,75	5,10	1,20	7,85	1,85	11,90
7	0,55	4,55	0,85	6,75	1,35	10,40
8	0,40	4,00	0,60	5,70	1,00	9,05
9	0,31	3,70	0,43	4,85	0,77	8,10
10	-	-	-	-	-	-
11	-	-	-	-	-	-
12	-	-	-	-	-	-

q = Uniformly distributed load F = Force



Long Span Cable Tray and Cable Ladder Specifications:

➔ A. CABLE TRAY DESIGN

1. Cable Tray shall be made of straight sections, fittings and accessories as defined in the latest NEMA standards per NEMA VE-1. Standard cable trays shall be UL classified as equipment grounding conductors.

➔ B. MATERIAL

1. **Pre-galvanized steel.** The structural quality of the steel shall meet the minimum yield and tensile strength of the ASTM standards (ASTM A 653) with G 90 coating thickness. All cable trays to be labeled for material identification purposes.
2. **Hot dipped galvanized steel.** All trays to be hot-dipped galvanized in accordance with ASTM A123. All trays to be labeled for material identification.
3. **Stainless steel.** All trays are to be constructed of AISI type 304 or 316 stainless steel. All trays to be labeled for material identification.

➔ C. TRAY TYPES

1. **Ventilated cable tray.** Ventilated trough shall incorporate two side-rails connected by corrugated ventilated metal.
2. **Solid cable tray.** Solid bottom tray shall incorporate two side rails connected by solid steel metal.
3. **Ladder cable tray.** Ladder shall consist of two side-rails with rungs riveted to the bottom flange of the side-rails. Rungs shall be spaced 8" or 12" (200 or 300 mm) on center. Rungs shall not protrude below the bottom of the side-rail.

➔ D. TRAY SIZE

1. **Height:** Trays shall have an overall height of 4", 6", and 8" (105, 150 and 200 mm). Minimum load depth shall be 3.5", 5.5" and 7.5" (90, 135 and 185 mm).
2. **Width:** Widths shall be 8", 12", 16", 20" and 24" (200, 300, 400, 500 and 600 mm).
3. **Length:** Length shall be a nominal 10' or 3 meters, and 20' or 6 meters

➔ E. ACCESSORIES

1. **Covers.** Covers shall be supplied to protect tray cable where needed. Covers will be solid and contain three pair of turn-bolt locks to secure the covers to the lips of the cable tray, requiring only the use of a slotted screwdriver.
2. **Splice plates.** Splice plates shall fasten to the outside of the cable tray side-rails and wrap around and snap onto each section of tray. Bolts and nuts are used to fasten to the tray and are included with splice plates. Plates shall not exceed the NEMA VE-1 resistance of 330 micro ohms.
3. **Other accessories** shall be furnished as required to protect, support, and install a cable tray system. Fittings shall made of the same material as the cable tray whenever possible. Fittings can be of factory construction or also be of a type that allows field constructed fittings.

➔ F. LOADING CAPABILITIES

1. Cable tray shall meet the load/span class designation in accordance with NEMA VE 1 and CSA E22.2 No 126.1. Cable tray shall also meet load/span designation in accordance with IEC 61537.

➔ G. DESIGN AND MANUFACTURE

1. Cable tray design shall be manufactured by The Niedax Group.



 **Load/Span Class Designation in accordance with NEMA VE 1 and CSA E22.2 No. 126.1**

Niedax Series	Minimum Area		Load class in accordance to NEMA VE 1		
	(calculational) mm ² / in. ²	in accordance to NEMA VE 2 mm ² / in. ²	Rated Load Kg/m / lb./ft.	Support spacing m / ft.	Load/Span Class
WRLX 105.200, ... F, ... E3	627.0 / 0.97	452 / 0.7	80 / 53.8	6 / 19.7	12C, D, 20A
WRLX 105.300, ... F, ... E3	627.0 / 0.97	452 / 0.7	80 / 53.8	6 / 19.7	12C, D, 20A
WRLX 105.400, ... F, ... E3	627.0 / 0.97	452 / 0.7	80 / 53.8	6 / 19.7	12C, D, 20A
WRLX 105.500, ... F, ... E3	627.0 / 0.97	452 / 0.7	80 / 53.8	6 / 19.7	12C, D, 20A
WRLX 105.600, ... F, ... E3	627.0 / 0.97	452 / 0.7	80 / 53.8	6 / 19.7	12C, D, 20A
WRUX 105.200, ... F	627.0 / 0.97	452 / 0.7	80 / 53.8	6 / 19.7	12C, D, 20A
WRUX 105.300, ... F	627.0 / 0.97	452 / 0.7	80 / 53.8	6 / 19.7	12C, D, 20A
WRUX 105.400, ... F	627.0 / 0.97	452 / 0.7	80 / 53.8	6 / 19.7	12C, D, 20A
WRUX 105.500, ... F	627.0 / 0.97	452 / 0.7	80 / 53.8	6 / 19.7	12C, D, 20A
WRUX 105.600, ... F	627.0 / 0.97	452 / 0.7	80 / 53.8	6 / 19.7	12C, D, 20A
WRLX 150.200, ... F, ... E3	762.0 / 1.18	645 / 1.0	80 / 53.8	6 / 19.7	12C, D, 20A
WRLX 150.300, ... F, ... E3	762.0 / 1.18	645 / 1.0	80 / 53.8	6 / 19.7	12C, D, 20A
WRLX 150.400, ... F, ... E3	762.0 / 1.18	645 / 1.0	80 / 53.8	6 / 19.7	12C, D, 20A
WRLX 150.500, ... F, ... E3	762.0 / 1.18	645 / 1.0	80 / 53.8	6 / 19.7	12C, D, 20A
WRLX 150.600, ... F, ... E3	762.0 / 1.18	645 / 1.0	80 / 53.8	6 / 19.7	12C, D, 20A
WRUX 150.200, ... F	762.0 / 1.18	645 / 1.0	80 / 53.8	6 / 19.7	12C, D, 20A
WRUX 150.300, ... F	762.0 / 1.18	645 / 1.0	80 / 53.8	6 / 19.7	12C, D, 20A
WRUX 150.400, ... F	762.0 / 1.18	645 / 1.0	80 / 53.8	6 / 19.7	12C, D, 20A
WRUX 150.500, ... F	762.0 / 1.18	645 / 1.0	80 / 53.8	6 / 19.7	12C, D, 20A
WRUX 150.600, ... F	762.0 / 1.18	645 / 1.0	80 / 53.8	6 / 19.7	12C, D, 20A
WRLMX 150.200, ... F	896 / 1.39	645 / 1.0	122 / 82	6 / 19.7	12C, E, 20B
WRLMX 150.300, ... F	896 / 1.39	645 / 1.0	122 / 82	6 / 19.7	12C, E, 20B
WRLMX 150.400, ... F	896 / 1.39	645 / 1.0	122 / 82	6 / 19.7	12C, E, 20B
WRLMX 150.500, ... F	896 / 1.39	645 / 1.0	122 / 82	6 / 19.7	12C, E, 20B
WRLMX 150.600, ... F	896 / 1.39	645 / 1.0	122 / 82	6 / 19.7	12C, E, 20B

LONG SPAN CABLE TRAY

Long Span Cable Tray

ventilated bottom

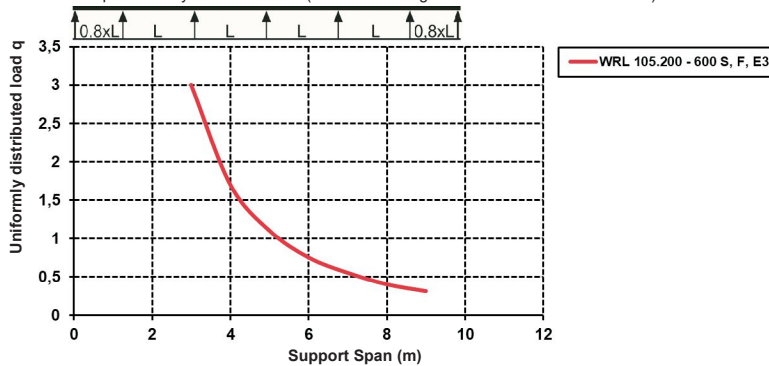
	Model no.	Height H		Width B		Length L		Thick-ness t mm	Weight per 100 m kg	Pack/Box Qty
		mm	Inch	mm	Inch	mm	Inch			
S	WRL 105.200	105	4,1	200	7,9	6000	236,2	1,5	623,63	6 m
S	WRL 105.300	105	4,1	300	11,8	6000	236,2	1,5	684,14	6 m
S	WRL 105.400	105	4,1	400	15,7	6000	236,2	1,5	749,95	6 m
S	WRL 105.500	105	4,1	500	19,7	6000	236,2	1,5	811,83	6 m
S	WRL 105.600	105	4,1	600	23,6	6000	236,2	1,5	931,14	6 m
F	WRL 105.200 F	105	4,1	200	7,9	6000	236,2	1,5	686,77	6 m
F	WRL 105.300 F	105	4,1	300	11,8	6000	236,2	1,5	753,33	6 m
F	WRL 105.400 F	105	4,1	400	15,7	6000	236,2	1,5	825,75	6 m
F	WRL 105.500 F	105	4,1	500	19,7	6000	236,2	1,5	893,82	6 m
F	WRL 105.600 F	105	4,1	600	23,6	6000	236,2	1,5	1.024,23	6 m
E3	WRL 105.200 E3	105	4,1	200	7,9	6000	236,2	1,5	628,19	6 m
E3	WRL 105.300 E3	105	4,1	300	11,8	6000	236,2	1,5	689,09	6 m
E3	WRL 105.400 E3	105	4,1	400	15,7	6000	236,2	1,5	754,87	6 m
E3	WRL 105.500 E3	105	4,1	500	19,7	6000	236,2	1,5	817,02	6 m
E3	WRL 105.600 E3	105	4,1	600	23,6	6000	236,2	1,5	893,19	6 m

Transversal reinforcing fins in the ventilated bottom plate are providing extra stability and an easy way to attach dividers.

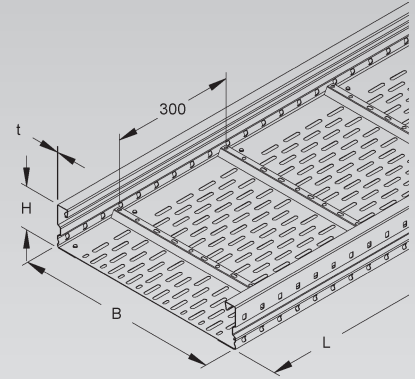
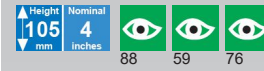
Also available in 3 meter length.

A bottom connection plate will be supplied for tray in 400, 500 and 600 mm width.

Load Chart: q = uniformly distributed load (tested according to DIN EN IEC 61537 standard)



Specified load ratings are independent of splice plate location.



Long Span Cable Tray

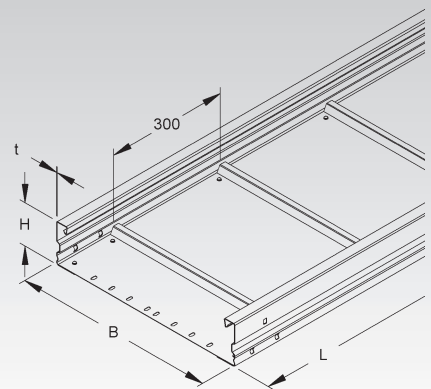
solid, but with splice plate perforation

	Model no.	Height H		Width B		Length L		Thick-ness t mm	Weight per 100 m kg	Pack/Box Qty
		mm	Inch	mm	Inch	mm	Inch			
S	WRU 105.200	105	4,1	200	7,9	6000	236,2	1,5	649,98	6 m
S	WRU 105.300	105	4,1	300	11,8	6000	236,2	1,5	724,86	6 m
S	WRU 105.400	105	4,1	400	15,7	6000	236,2	1,5	804,83	6 m
S	WRU 105.500	105	4,1	500	19,7	6000	236,2	1,5	880,87	6 m
S	WRU 105.600	105	4,1	600	23,6	6000	236,2	1,5	1.006,08	6 m
F	WRU 105.200 F	105	4,1	200	7,9	6000	236,2	1,5	715,75	6 m
F	WRU 105.300 F	105	4,1	300	11,8	6000	236,2	1,5	798,12	6 m
F	WRU 105.400 F	105	4,1	400	15,7	6000	236,2	1,5	886,12	6 m
F	WRU 105.500 F	105	4,1	500	19,7	6000	236,2	1,5	969,76	6 m
F	WRU 105.600 F	105	4,1	600	23,6	6000	236,2	1,5	1.107,50	6 m

Transversal reinforcing fins in the solid bottom plate are providing extra stability and an easy way to attach dividers.

Also available in 3 meter length.

A bottom connection plate will be supplied for tray in 400, 500 and 600 mm width.



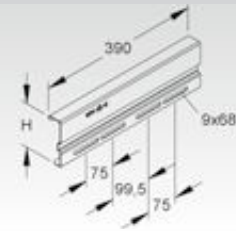
Splice Plate

Model no.	Inside height H mm Inch	Width B mm Inch	Acc. incl.	Weight per 100 pcs kg	Pack/Box Qty
S WSV 105.390	106,5 4,2	390 15,4	4 FLM 8X13 F	116,04	10
F WSV 105.390 F	106,5 4,2	390 15,4	4 FLM 8X13 F	126,88	10
E3 WSV 105.390 E3	106,5 4,2	390 15,4	4 FLM 8X16 E3	117,17	10

form-locking straight splice plate for long span trays and ladders

2 pieces required per joint

UL classified splice plates ensure electrical continuity and proper bonding.



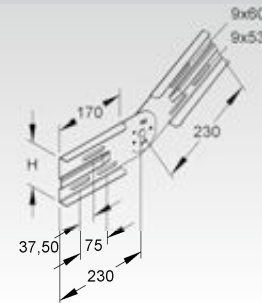
Adjustable Splice Plate

vertical

Model no.	Inside height H mm Inch	Acc. incl.	Weight per 100 pcs kg	Pack/Box Qty
S WSGV 105	106,5 4,2	6 FLM 8X13 F	92,07	1
F WSGV 105 F	106,5 4,2	6 FLM 8X13 F	99,91	1
E3 WSGV 105 E3	106,5 4,2	6 FLM 8X16 E3	92,10	1

2 pieces required per joint

UL classified splice plates ensure electrical continuity and proper bonding.



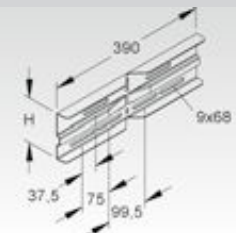
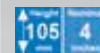
Adjustable Splice Plate

horizontal

Model no.	Inside height H mm Inch	Width B mm Inch	Acc. incl.	Weight per 100 pcs kg	Pack/Box Qty
S WSWV 105.390	106,5 4,2	390 15,4	6 FLM 8X13 F	92,46	10
F WSWV 105.390 F	106,5 4,2	390 15,4	6 FLM 8X13 F	100,57	10
E3 WSWV 105.390 E3	106,5 4,2	390 15,4	6 FLM 8X16 E3	82,33	10

2 pieces required per joint

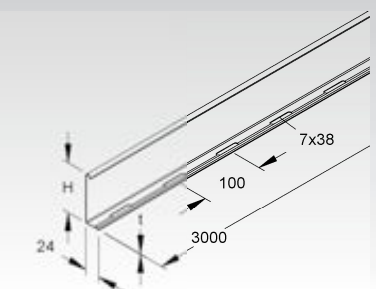
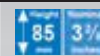
UL classified splice plates ensure electrical continuity and proper bonding.



Divider

Model no.	Height H mm Inch	Thickness t mm	Acc. incl.	Weight per 100 m kg	Pack/Box Qty
S RW 85	80 3,1	0,9	4 FLM 6X12	78,39	10 x 3 m
F RW 85 F	80 3,1	0,9	4 FLM 6X12 F	86,12	10 x 3 m
E3 RW 85 E3	80 3,1	0,9	4 FLM 6X12 E3	78,88	10 x 3 m

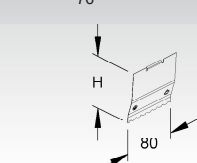
to separate wires and cables of different voltage levels or with different functions



Splice Plate for Divider

Model no.	Height H mm Inch	Length L mm Inch	Weight per 100 pcs kg	Pack/Box Qty
E2 RTV 85 E2	79,5 3,1	80 3,1	2,03	20

for positive locking connections and proper bonding of dividers

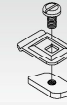


LONG SPAN CABLE TRAY

Mounting Clamp for Divider

	Model no.	Acc. incl.	Weight per 100 pcs kg	Pack/ Box Qty
S	KLWC 16	1 FK 6X12 V, GSM 406 G	2,65	50
F	KLWC 16 F	FK 6X10 E3, GSM 406 E3	2,70	50

Suitable for: divider RW...



Mounting Clamp for Divider

	Model no.	Acc. incl.	Weight per 100 pcs kg	Pack/ Box Qty
E3	KLWC 16 E3	FK 6X10 E3, GSM 406 E3	3	50

Suitable for: divider RW...

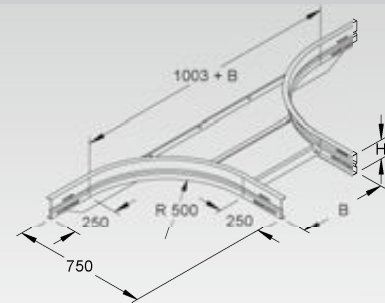


Extension Horizontal Tee

with integrated splices

	Model no.	Inside height H	Inside dimension B	Acc. incl.	Weight per 100 pcs kg	Pack/ Box Qty
		mm Inch	mm Inch			
S	WRTAR 105.200	106,5 4,2	205 8,1	12 FLM 8X13 F	1.144,20	1
S	WRTAR 105.300	106,5 4,2	305 12	12 FLM 8X13 F	1.212,78	1
S	WRTAR 105.400	106,5 4,2	405 15,9	12 FLM 8X13 F	1.281,36	1
S	WRTAR 105.500	106,5 4,2	505 19,9	12 FLM 8X13 F	1.349,94	1
S	WRTAR 105.600	106,5 4,2	605 23,8	12 FLM 8X13 F	1.418,52	1
F	WRTAR 105.200 F	106,5 4,2	205 8,1	12 FLM 8X13 F	1.256,22	1
F	WRTAR 105.300 F	106,5 4,2	305 12	12 FLM 8X13 F	1.331,66	1
F	WRTAR 105.400 F	106,5 4,2	405 15,9	12 FLM 8X13 F	1.407,10	1
F	WRTAR 105.500 F	106,5 4,2	505 19,9	12 FLM 8X13 F	1.482,53	1
F	WRTAR 105.600 F	106,5 4,2	605 23,8	12 FLM 8X13 F	1.557,97	1
E3	WRTAR 105.200 E3	106,5 4,2	205 8,1	12 FLM 8X16 E3	990,63	1
E3	WRTAR 105.300 E3	106,5 4,2	305 12	12 FLM 8X16 E3	1.054,21	1
E3	WRTAR 105.400 E3	106,5 4,2	405 15,9	12 FLM 8X16 E3	1.117,79	1
E3	WRTAR 105.500 E3	106,5 4,2	505 19,9	12 FLM 8X16 E3	1.275,52	1
E3	WRTAR 105.600 E3	106,5 4,2	605 23,8	12 FLM 8X16 E3	1.344,53	1

for field manufacturing of horizontal tees and crosses

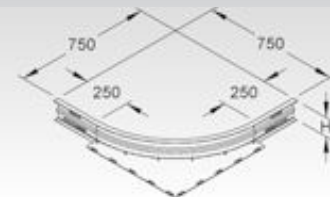
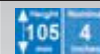


Horizontal Elbow Building Block

with integrated splices

	Model no.	Inside height H	Acc. incl.	Weight per 100 pcs kg	Pack/ Box Qty
		mm Inch			
S	WAER 105	106,5 4,2	10 FLM 8X13 F	413,30	1
F	WAER 105 F	106,5 4,2	10 FLM 8X13 F	452,63	1
E3	WAER 105 E3	106,5 4,2	10 FLM 8X16 E3	374,73	1

for field manufacturing of longspan elbows and tees

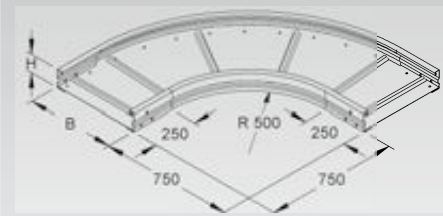


Horizontal Elbow 90°

with solid siderails but prepunched holes for splice plates

	Model no.	Height H		Width B		Weight per 100 pcs kg	Pack/Box Qty
		mm	Inch	mm	Inch		
S	WRBR 105.200	105	4,1	200	7,9	961,16	1
S	WRBR 105.300	105	4,1	300	11,8	1.139,70	1
S	WRBR 105.400	105	4,1	400	15,7	1.330,57	1
S	WRBR 105.500	105	4,1	500	19,7	1.534,14	1
S	WRBR 105.600	105	4,1	600	23,6	1.749,67	1
F	WRBR 105.200 F	105	4,1	200	7,9	1.057,28	1
F	WRBR 105.300 F	105	4,1	300	11,8	1.253,67	1
F	WRBR 105.400 F	105	4,1	400	15,7	1.463,63	1
F	WRBR 105.500 F	105	4,1	500	19,7	1.687,55	1
F	WRBR 105.600 F	105	4,1	600	23,6	1.924,64	1
E3	WRBR 105.200 E3	105	4,1	200	7,9	968,57	1
E3	WRBR 105.300 E3	105	4,1	300	11,8	1.148,25	1
E3	WRBR 105.400 E3	105	4,1	400	15,7	1.340,34	1
E3	WRBR 105.500 E3	105	4,1	500	19,7	1.545,43	1
E3	WRBR 105.600 E3	105	4,1	600	23,6	1.762,33	1

Height 105 mm
Pack 4 pcs/box

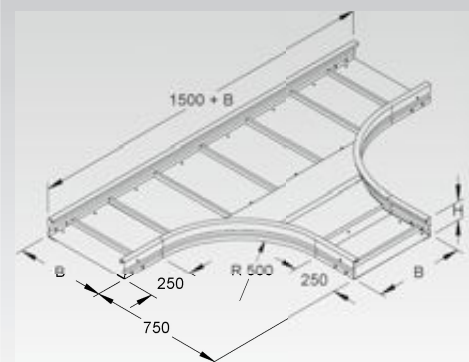


Horizontal Tee

with solid siderails but prepunched holes for splice plates

	Model no.	Height H		Width B		Weight per 100 pcs kg	Pack/Box Qty
		mm	Inch	mm	Inch		
S	WRTR 105.200	105	4,1	200	7,9	1.596,94	1
S	WRTR 105.300	105	4,1	300	11,8	1.838,68	1
S	WRTR 105.400	105	4,1	400	15,7	2.103,77	1
S	WRTR 105.500	105	4,1	500	19,7	2.376,13	1
S	WRTR 105.600	105	4,1	600	23,6	2.780,57	1
F	WRTR 105.200 F	105	4,1	200	7,9	1.756,63	1
F	WRTR 105.300 F	105	4,1	300	11,8	2.022,55	1
F	WRTR 105.400 F	105	4,1	400	15,7	2.314,15	1
F	WRTR 105.500 F	105	4,1	500	19,7	2.613,74	1
F	WRTR 105.600 F	105	4,1	600	23,6	3.058,63	1
E3	WRTR 105.200 E3	105	4,1	200	7,9	1.608,87	1
E3	WRTR 105.300 E3	105	4,1	300	11,8	1.852,14	1
E3	WRTR 105.400 E3	105	4,1	400	15,7	2.118,92	1
E3	WRTR 105.500 E3	105	4,1	500	19,7	2.393,01	1
E3	WRTR 105.600 E3	105	4,1	600	23,6	2.681,33	1

Height 105 mm
Pack 4 pcs/box

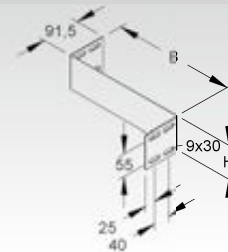


Reducer

	Model no.	Height H		Width B		Weight per 100 kg	Pack/Box Qty
		mm	Inch	mm	Inch		
S	WSRS 105.100 S	105	4,1	100	3,9	32,70	1
S	WSRS 105.150 S	105	4,1	150	5,9	37,53	1
S	WSRS 105.200 S	105	4,1	200	7,9	42,23	1
S	WSRS 105.300 S	105	4,1	300	11,8	52,01	1

can be used as a reducer for long span cable trays and ladders

Height 105 mm
Pack 4 pcs/box

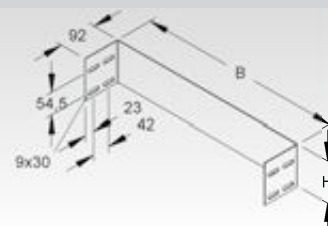


Endplate

	Model no.	Height H		Width B		Weight per 100 kg	Pack/Box Qty
		mm	Inch	mm	Inch		
S	WSAS 105.200 S	102	4	200	7,9	51,63	1
S	WSAS 105.300 S	102	4	300	11,8	63,64	1
S	WSAS 105.400 S	102	4	400	15,7	75,65	1
S	WSAS 105.450 S	102	4	450	17,7	81,66	1
S	WSAS 105.500 S	102	4	500	19,7	87,66	1
S	WSAS 105.600 S	102	4	600	23,6	99,67	1

can be used as blind end or as reducer for long span cable trays and ladders

Height 105 mm
Pack 4 pcs/box



LONG SPAN CABLE TRAY

Long Span Cable Tray

ventilated bottom

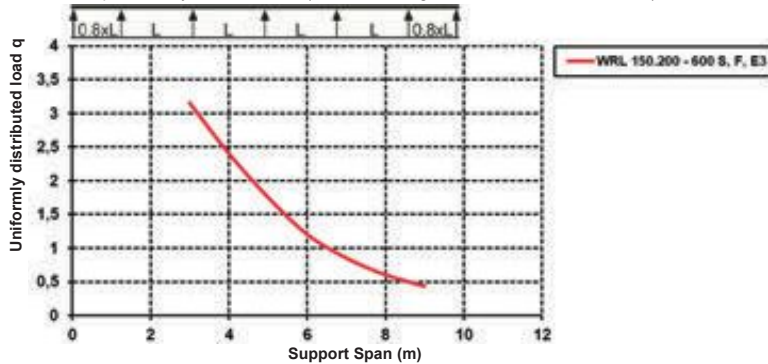
Model no.	Height H		Width B		Length L		Thick-ness t	Weight per 100 m	Pack/Box Qty
	mm	Inch	mm	Inch	mm	Inch			
S WRL 150.200	150	5,9	200	7,9	6000	236,2	1,5	730,04	6 m
S WRL 150.300	150	5,9	300	11,8	6000	236,2	1,5	790,56	6 m
S WRL 150.400	150	5,9	400	15,7	6000	236,2	1,5	856,37	6 m
S WRL 150.500	150	5,9	500	19,7	6000	236,2	1,5	918,24	6 m
S WRL 150.600	150	5,9	600	23,6	6000	236,2	1,5	1.036,78	6 m
F WRL 150.200 F	150	5,9	200	7,9	6000	236,2	1,5	803,82	6 m
F WRL 150.300 F	150	5,9	300	11,8	6000	236,2	1,5	870,38	6 m
F WRL 150.400 F	150	5,9	400	15,7	6000	236,2	1,5	942,81	6 m
F WRL 150.500 F	150	5,9	500	19,7	6000	236,2	1,5	1.010,87	6 m
F WRL 150.600 F	150	5,9	600	23,6	6000	236,2	1,5	1.141,28	6 m
E3 WRL 150.200 E3	150	5,9	200	7,9	6000	236,2	1,5	735,28	6 m
E3 WRL 150.300 E3	150	5,9	300	11,8	6000	236,2	1,5	796,17	6 m
E3 WRL 150.400 E3	150	5,9	400	15,7	6000	236,2	1,5	861,96	6 m
E3 WRL 150.500 E3	150	5,9	500	19,7	6000	236,2	1,5	924,11	6 m
E3 WRL 150.600 E3	150	5,9	600	23,6	6000	236,2	1,5	1.000,28	6 m

Transversal reinforcing fins in the solid bottom plate are providing extra stability and an easy way to attach dividers.

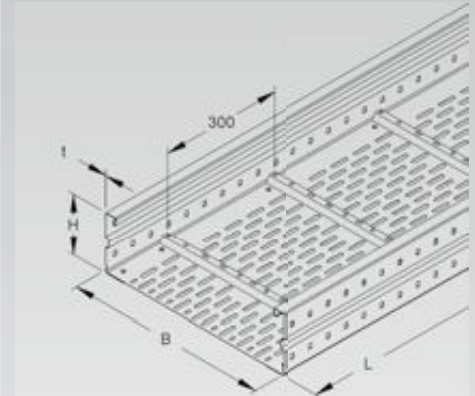
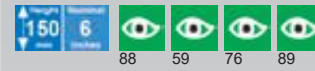
Also available in 3 meter length.

A bottom connection plate will be supplied for tray in 400, 500 and 600 mm width.

Load Chart: q = uniformly distributed load (tested according to DIN EN IEC 61537 standard)



Specified load ratings are independent of splice plate location.



Long Span Cable Tray

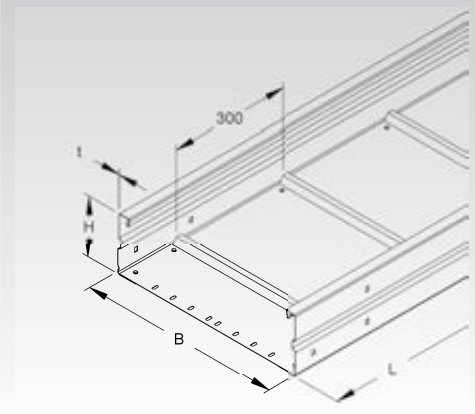
solid, but with splice plate perforation

Model no.	Height H		Width B		Length L		Thick-ness t	Weight per 100 m	Pack/Box Qty
	mm	Inch	mm	Inch	mm	Inch			
S WRU 150.200	150	5,9	200	7,9	6000	236,2	1,5	755,96	6 m
S WRU 150.300	150	5,9	300	11,8	6000	236,2	1,5	830,85	6 m
S WRU 150.400	150	5,9	400	15,7	6000	236,2	1,5	910,82	6 m
S WRU 150.500	150	5,9	500	19,7	6000	236,2	1,5	986,86	6 m
S WRU 150.600	150	5,9	600	23,6	6000	236,2	1,5	1.112,06	6 m
F WRU 150.200 F	150	5,9	200	7,9	6000	236,2	1,5	832,33	6 m
F WRU 150.300 F	150	5,9	300	11,8	6000	236,2	1,5	914,71	6 m
F WRU 150.400 F	150	5,9	400	15,7	6000	236,2	1,5	1.002,71	6 m
F WRU 150.500 F	150	5,9	500	19,7	6000	236,2	1,5	1.086,35	6 m
F WRU 150.600 F	150	5,9	600	23,6	6000	236,2	1,5	1.224,09	6 m

Transversal reinforcing fins in the solid bottom plate are providing extra stability and an easy way to attach dividers.

Also available in 3 meter length.

A bottom connection plate will be supplied for tray in 400, 500 and 600 mm width.



Long Span Cable Tray

with perforated heavy duty siderails

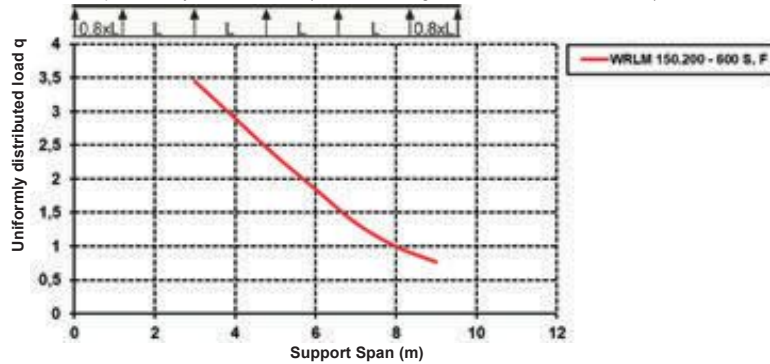
	Model no.	Height H		Width B		Length L		Thick-ness t	Weight per 100 m kg	Pack/Box Qty
		mm	Inch	mm	Inch	mm	Inch			
S	WRLM 150.200	150	5,9	200	7,9	6000	236,2	2	924,72	6 m
S	WRLM 150.300	150	5,9	300	11,8	6000	236,2	2	985,23	6 m
S	WRLM 150.400	150	5,9	400	15,7	6000	236,2	2	1.051,04	6 m
S	WRLM 150.500	150	5,9	500	19,7	6000	236,2	2	1.112,92	6 m
S	WRLM 150.600	150	5,9	600	23,6	6000	236,2	2	1.231,46	6 m
F	WRLM 150.200 F	150	5,9	200	7,9	6000	236,2	2	1.018,03	6 m
F	WRLM 150.300 F	150	5,9	300	11,8	6000	236,2	2	1.084,59	6 m
F	WRLM 150.400 F	150	5,9	400	15,7	6000	236,2	2	1.157,01	6 m
F	WRLM 150.500 F	150	5,9	500	19,7	6000	236,2	2	1.225,07	6 m
F	WRLM 150.600 F	150	5,9	600	23,6	6000	236,2	2	1.355,48	6 m

Transversal reinforcing fins in the ventilated bottom plate are providing extra stability and an easy way to attach dividers.

Also available in 3 meter length.

A bottom connection plate will be supplied for tray in 400, 500 and 600 mm width.

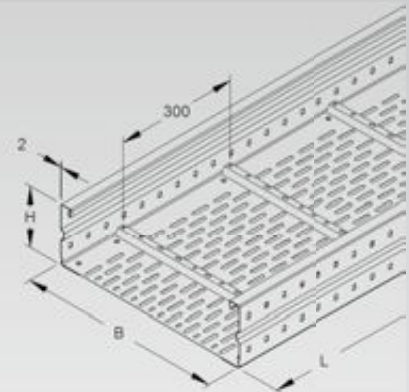
Load Chart: q = uniformly distributed load (tested according to DIN EN IEC 61537 standard)



Specified load ratings are independent of splice plate location.



89



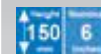
Splice Plate

	Model no.	Inside height H		Width B	Acc. incl.	Weight per 100 pcs kg	Pack/Box Qty
		mm	Inch				
S	WSV 150.500	151,5	6	500	4 FLM 8X13 F	180,00	10
F	WSV 150.500 F	151,5	6	500	4 FLM 8X13 F	200,62	10
E3	WSV 150.500 E3	151,5	6	500	4 FLM 8X16 E3	185,00	10

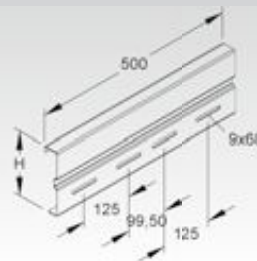
form-locking straight splice plate for long span trays and ladders

2 pieces required per joint

UL classified splice plates ensure electrical continuity and proper bonding.



87



Adjustable Splice Plate

vertical

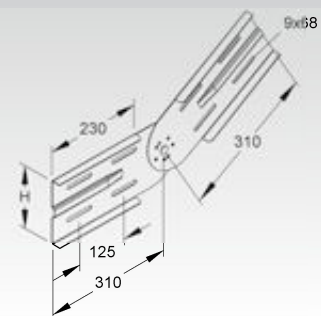
	Model no.	Inside height H		Acc. incl.	Weight per 100 pcs kg	Pack/Box Qty
		mm	Inch			
S	WSGV 150	151,5	6	6 FLM 8X13 F	151,95	1
F	WSGV 150 F	151,5	6	6 FLM 8X13 F	180,00	1
E3	WSGV 150 E3	151,5	6	6 FLM 8X16 E3	152,42	1

2 pieces required per joint

UL classified splice plates ensure electrical continuity and proper bonding.



87



LONG SPAN CABLE TRAY

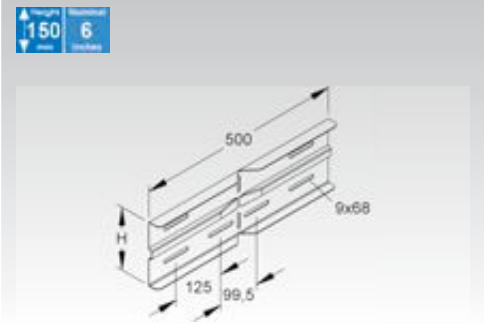
Adjustable Splice Plate

horizontal

	Model no.	Inside height H		Width B		Acc. incl.	Weight per 100 pcs kg	Pack/Box Qty
		mm	Inch	mm	Inch			
S	WSWV 150	151,5	6	500	19,7	6 FLM 8X13 F	128,75	10
F	WSWV 150 F	151,5	6	500	19,7	6 FLM 8X13 F	140,49	10
E3	WSWV 150 E3	151,5	6	500	19,7	6 FLM 8X16 E3	130,70	10

2 pieces required per joint

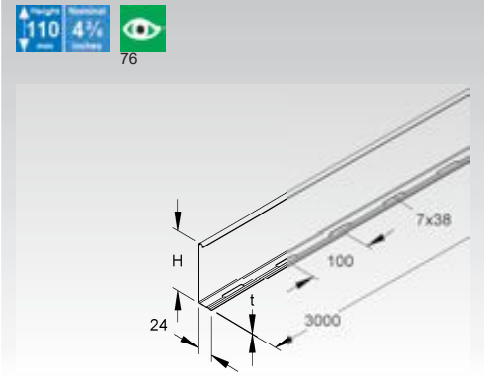
UL classified splice plates ensure electrical continuity and proper bonding.



Divider

	Model no.	Height H		Thick-ness t	Acc. incl.	Weight per 100 m kg	Pack/Box Qty
		mm	Inch				
S	RW 110	98	3,9	0,9	4 FLM 6X12	90,37	10 x 3 m
F	RW 110 F	98	3,9	0,9	4 FLM 6X12 F	99,30	10 x 3 m
E3	RW 110 E3	98	3,9	0,9	4 FLM 6X12 E3	88,73	10 x 3 m

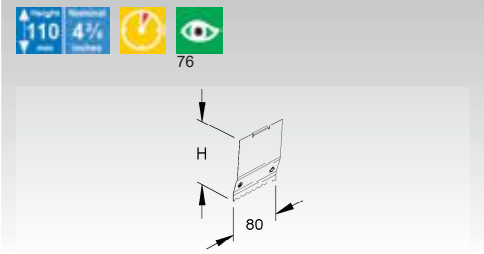
to separate wires and cables of different voltage levels or with different functions



Splice Plate for Divider

	Model no.	Height H		Length L		Weight per 100 pcs kg	Pack/Box Qty
		mm	Inch	mm	Inch		
E2	RTV 110 E2	97,5	3,8	80	3,1	2,5	20

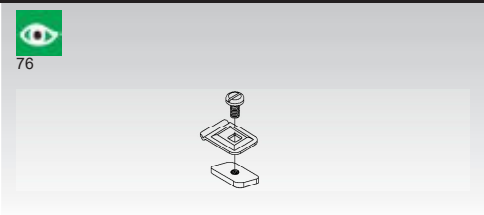
for positive locking connections and proper bonding of dividers



Mounting Clamp for Divider

	Model no.	Acc. incl.	Weight per 100 pcs kg	Pack/Box Qty
S	KLWC 16	1 FK 6X12 V, GSM 406 G	2,65	50
F	KLWC 16 F	FK 6X10 E3, GSM 406 E3	2,70	50

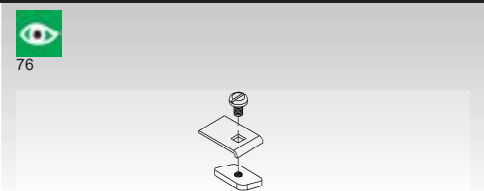
Suitable for: divider RW...



Mounting Clamp for Divider

	Model no.	Acc. incl.	Weight per 100 pcs kg	Pack/Box Qty
E3	KLWC 16 E3	FK 6X10 E3, GSM 406 E3	3	50

Suitable for: divider RW...



Extension Horizontal Tee

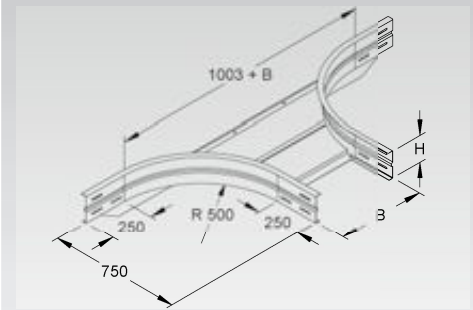
with integrated splices

	Model no.	Inside height H		Inside dimension B		Acc. incl.	Weight per 100 pcs kg	Pack/Box Qty
		mm	Inch	mm	Inch			
S	WRTAR 150.200	151,5	6	205	8,1	12 FLM 8X13 F	1.197,41	1
S	WRTAR 150.300	151,5	6	305	12	12 FLM 8X13 F	1.265,99	1
S	WRTAR 150.400	151,5	6	405	15,9	12 FLM 8X13 F	1.334,57	1
S	WRTAR 150.500	151,5	6	505	19,9	12 FLM 8X13 F	1.403,15	1
S	WRTAR 150.600	151,5	6	605	23,8	12 FLM 8X13 F	1.471,73	1
F	WRTAR 150.200 F	151,5	6	205	8,1	12 FLM 8X13 F	1.314,75	1
F	WRTAR 150.300 F	151,5	6	305	12	12 FLM 8X13 F	1.390,19	1
F	WRTAR 150.400 F	151,5	6	405	15,9	12 FLM 8X13 F	1.465,63	1
F	WRTAR 150.500 F	151,5	6	505	19,9	12 FLM 8X13 F	1.541,07	1
F	WRTAR 150.600 F	151,5	6	605	23,8	12 FLM 8X13 F	1.616,50	1
E3	WRTAR 150.200 E3	151,5	6	205	8,1	12 FLM 8X16 E3	1.127,84	1
E3	WRTAR 150.300 E3	151,5	6	305	12	12 FLM 8X16 E3	1.191,42	1
E3	WRTAR 150.400 E3	151,5	6	405	15,9	12 FLM 8X16 E3	1.255,00	1
E3	WRTAR 150.500 E3	151,5	6	505	19,9	12 FLM 8X16 E3	1.412,73	1
E3	WRTAR 150.600 E3	151,5	6	605	23,8	12 FLM 8X16 E3	1.481,74	1

for field manufacturing of horizontal tees and crosses



88

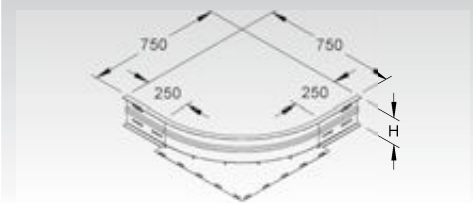


Horizontal Elbow Building Block

with integrated splices

	Model no.	Inside height H		Acc. incl.	Weight per 100 pcs kg	Pack/Box Qty
		mm	Inch			
S	WAER 150	151,5	6	10 FLM 8X13 F	439,93	1
F	WAER 150 F	151,5	6	10 FLM 8X13 F	481,92	1
E3	WAER 150 E3	151,5	6	10 FLM 8X16 E3	443,34	1

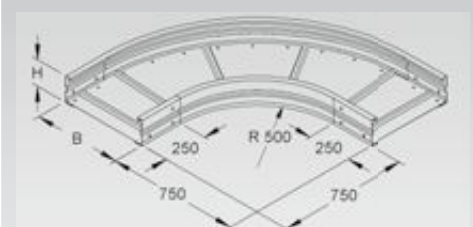
for field manufacturing of longspan elbows and tees



Horizontal Elbow 90°

with solid siderails but prepunched holes for splice plates

	Model no.	Height H		Width B		Weight per 100 pcs kg	Pack/Box Qty
		mm	Inch	mm	Inch		
S	WRBR 150.200	150	5,9	200	7,9	1.114,14	1
S	WRBR 150.300	150	5,9	300	11,8	1.301,01	1
S	WRBR 150.400	150	5,9	400	15,7	1.500,21	1
S	WRBR 150.500	150	5,9	500	19,7	1.712,09	1
S	WRBR 150.600	150	5,9	600	23,6	1.935,95	1
F	WRBR 150.200 F	150	5,9	200	7,9	1.225,55	1
F	WRBR 150.300 F	150	5,9	300	11,8	1.431,11	1
F	WRBR 150.400 F	150	5,9	400	15,7	1.650,23	1
F	WRBR 150.500 F	150	5,9	500	19,7	1.883,30	1
F	WRBR 150.600 F	150	5,9	600	23,6	2.129,55	1
E3	WRBR 150.200 E3	150	5,9	200	7,9	1.122,53	1
E3	WRBR 150.300 E3	150	5,9	300	11,8	1.310,59	1
E3	WRBR 150.400 E3	150	5,9	400	15,7	1.511,05	1
E3	WRBR 150.500 E3	150	5,9	500	19,7	1.724,51	1
E3	WRBR 150.600 E3	150	5,9	600	23,6	1.949,80	1

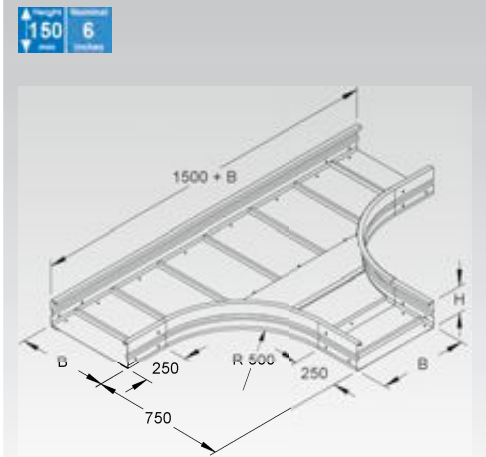


LONG SPAN CABLE TRAY

Horizontal Tee

with solid siderails but prepunched holes for splice plates

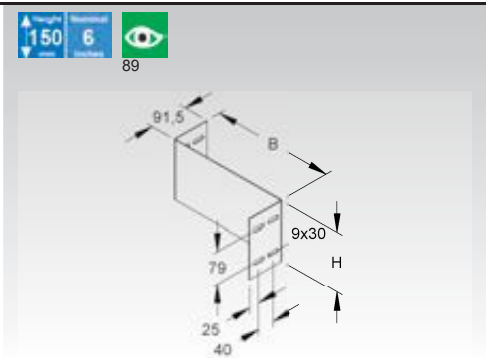
	Model no.	Height H		Width B		Weight per 100 pcs kg	Pack/Box Qty
		mm	Inch	mm	Inch		
S	WRTR 150.200	150	5,9	200	7,9	1.823,52	1
S	WRTR 150.300	150	5,9	300	11,8	2.070,55	1
S	WRTR 150.400	150	5,9	400	15,7	2.340,95	1
S	WRTR 150.500	150	5,9	500	19,7	2.618,60	1
S	WRTR 150.600	150	5,9	600	23,6	3.028,35	1
F	WRTR 150.200 F	150	5,9	200	7,9	2.005,87	1
F	WRTR 150.300 F	150	5,9	300	11,8	2.277,61	1
F	WRTR 150.400 F	150	5,9	400	15,7	2.575,05	1
F	WRTR 150.500 F	150	5,9	500	19,7	2.880,46	1
F	WRTR 150.600 F	150	5,9	600	23,6	3.331,19	1
E3	WRTR 150.200 E3	150	5,9	200	7,9	1.836,89	1
E3	WRTR 150.300 E3	150	5,9	300	11,8	2.085,50	1
E3	WRTR 150.400 E3	150	5,9	400	15,7	2.357,61	1
E3	WRTR 150.500 E3	150	5,9	500	19,7	2.637,03	1
E3	WRTR 150.600 E3	150	5,9	600	23,6	2.930,68	1



Reducer

	Model no.	Height H		Width B		Weight per 100 pcs kg	Pack/Box Qty
		mm	Inch	mm	Inch		
S	WSRS 150.100 S	150	5,9	100	3,9	53,61	1
S	WSRS 150.150 S	150	5,9	150	5,9	62,20	1
S	WSRS 150.200 S	150	5,9	200	7,9	70,80	1
S	WSRS 150.300 S	150	5,9	300	11,8	87,99	1

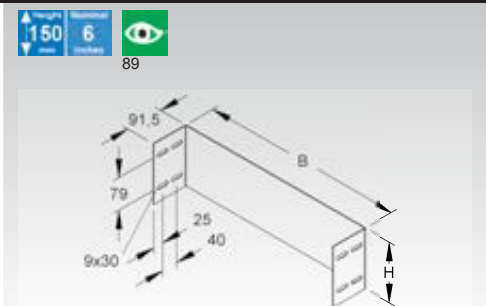
can be used as a reducer for long span cable trays and ladders



Endplate

	Model no.	Height H		Width B		Weight per 100 pcs kg	Pack/Box Qty
		mm	Inch	mm	Inch		
S	WSAS 150.200 S	150	5,9	200	7,9	71,30	1
S	WSAS 150.300 S	150	5,9	300	11,8	88,50	1
S	WSAS 150.400 S	150	5,9	400	15,7	105,69	1
S	WSAS 150.450 S	150	5,9	450	17,7	114,28	1
S	WSAS 150.500 S	150	5,9	500	19,7	122,88	1
S	WSAS 150.600 S	150	5,9	600	23,6	140,07	1
S	WSAS 150.900 S	150	5,9	900	35,4	192,00	1

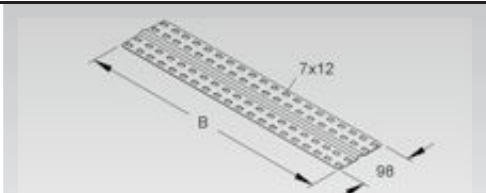
can be used as blind end or as reducer for long span cable trays and ladders



Bottom Connection Plate

	Model no.	Width B		Acc. incl.	Weight per 100 pcs kg	Pack/Box Qty
		mm	Inch			
S	RSL 400	389	15,3	4 FLM 6X12	30,06	1
S	RSL 500	489	19,3	4 FLM 6X12	37,00	1
S	RSL 600	589	23,2	4 FLM 6X12	43,94	1
F	RSL 400 F	389	15,3	4 FLM 6X12 F	33,15	1
F	RSL 500 F	489	19,3	4 FLM 6X12 F	40,78	1
F	RSL 600 F	589	23,2	4 FLM 6X12 F	48,41	1
E3	RSL 400 E3	389	15,3	4 FLM 6X12 E3	27,97	1
E3	RSL 500 E3	489	19,3	4 FLM 6X12 E3	34,26	1
E3	RSL 600 E3	589	23,2	4 FLM 6X12 E3	40,54	1

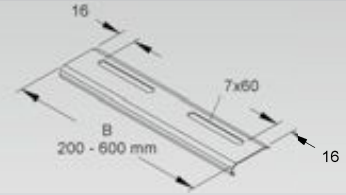
to stabilize bottom plate joints of long span trays (required only for tray width 400 mm and up)



Edge Protection Plate

Model no.	Width B mm Inch	Acc. incl.	Weight per 100 pcs/pc. kg	Pack/Box Qty
S RKB 200	192 7,6	2 FLM 6X12	9,13	10
S RKB 300	292 11,5	2 FLM 6X12	13,27	10
S RKB 400	392 15,4	2 FLM 6X12	17,40	10
S RKB 500	492 19,4	2 FLM 6X12	21,53	10
S RKB 600	592 23,3	2 FLM 6X12	25,67	10
F RKB 200 F	192 7,6	2 FLM 6X12 F	10,13	50
F RKB 300 F	292 11,5	2 FLM 6X12 F	14,69	50
F RKB 400 F	392 15,4	2 FLM 6X12 F	19,23	50
F RKB 500 F	492 19,4	2 FLM 6X12 F	23,77	50
F RKB 600 F	592 23,3	2 FLM 6X12 F	28,33	50
E3 RKB 200 E3	192 7,6	2 FLM 6X12 E3	9,20	10
E3 RKB 300 E3	292 11,5	2 FLM 6X12 E3	13,36	10
E3 RKB 400 E3	392 15,4	2 FLM 6X12 E3	17,52	10
E3 RKB 500 E3	492 19,4	2 FLM 6X12 E3	21,68	10
E3 RKB 600 E3	592 23,3	2 FLM 6X12 E3	25,84	10

with rounded edges to protect cables at the joint and to reinforce the bottom of cable trays

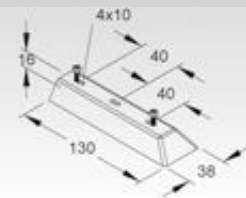


Edge Protection

2 self tapping screws included

Model no.	Color	Weight per 100 pcs kg	Pack/Box Qty
K04 WBKS 130 E3	grey	1,42	20

Suitable for: long span cable tray WRL...



LONG SPAN CABLE LADDER

Available Side Rail Heights

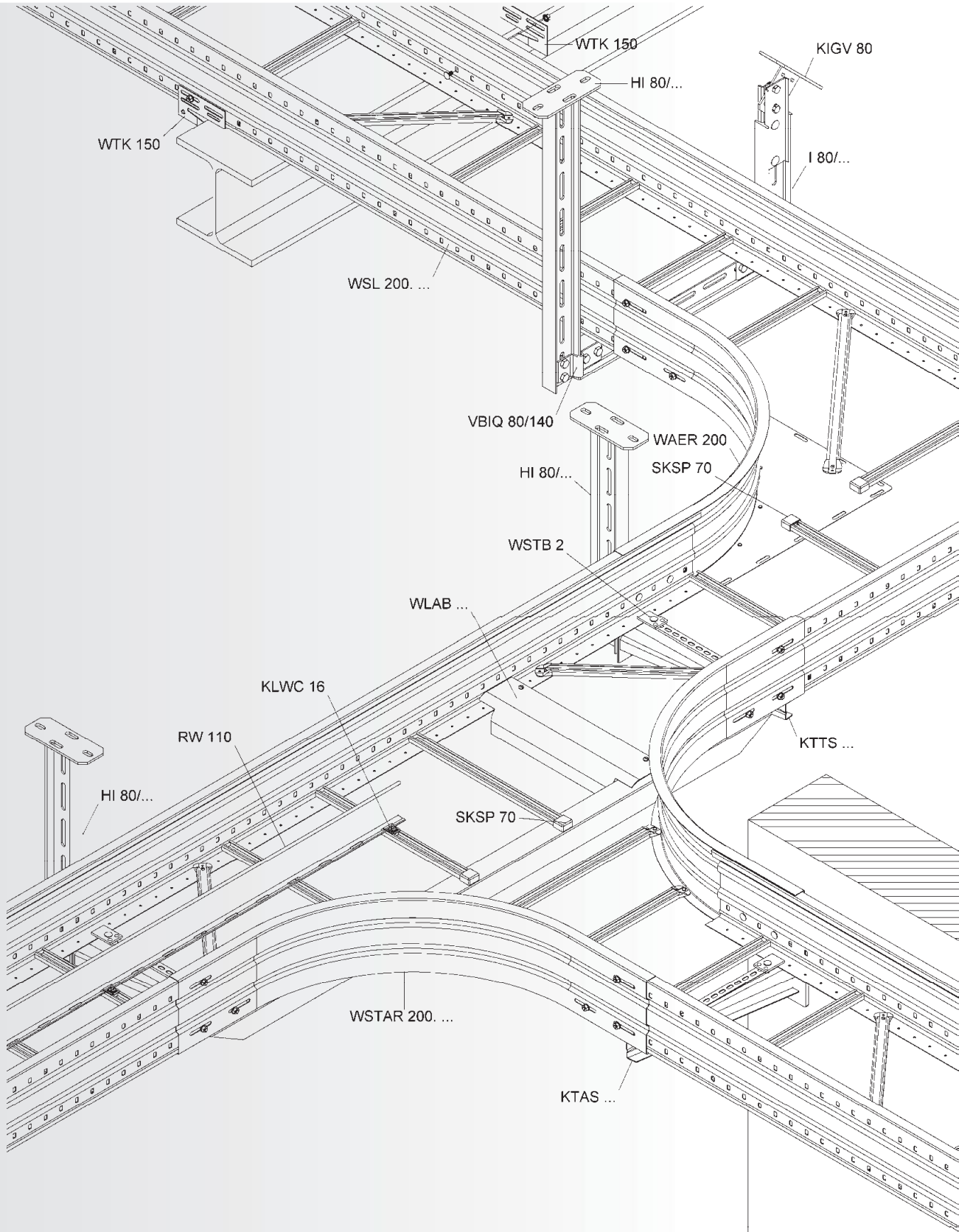
↑ Height 105 mm	Nominal 4 inches	↑ Height 150 mm	Nominal 6 inches	↑ Height 200 mm	Nominal 8 inches
-----------------------	------------------------	-----------------------	------------------------	-----------------------	------------------------

SYSTEM		105	150	200
	Long Span Cable Ladder	WSL...	Page 327	150 Page 331
	Long Span Cable Ladder	WSLM...	—	150 Page 332
	Long Span Cable Ladder	WSLS 200...	—	150 — 200 Page 337
ACCESSORIES	Splice Plate	WSV...	Page 327	150 Page 332
	Adjustable Splice Plate	WSGV...	Page 327	150 Page 332
	Adjustable Splice Plate	WSWV...	Page 328	150 Page 333
	Extension Horizontal Tee	WSTAR...	Page 329	150 Page 334
	Horizontal Elbow Building Block	WAER...	Page 329	150 Page 334
	Horizontal Elbow 90°	WSBR...	Page 329	150 Page 334
	Horizontal Tee	WSTR...	Page 330	150 Page 335
★	Pair of Protective End Caps	SKWHM...	Page 330	150 Page 335
	Divider	RW...	Page 328/333	
	Splice Plate for Divider	RTV...	Page 328/333	
	Mounting Clamp for Divider	KLWC...	Page 328/333	
	Reducer	WSRS 150...	Page 335	
	Endplate	WSAS 150...	Page 335	
	Ladder Drop Out	WLAB...	Page 336	
	Mounting Clamp for Long Span Ladders	WSTB...	Page 336	
	Two Hole Corner Angle	WWU...	Page 336	
	Three Hole Corner Angle	WWA...	Page 336	
	Splice Plate	WSVS 200...	Page 337	
	Adjustable Splice Plate	WSGVS 200	Page 338	
	Angle Joint	WSWVS 200	Page 338	
	Elbow 90°	WSBS 200	Page 338	
	Ladder Drop Out	WLAB...	Page 338	
	Bottom Plate	WBL...	Page 339	
	Sloped Sliding Nut	GSF 0406	Page 339	
	Slotted M6 Pan-Head Bolt	Z M6X10	Page 339	
	Cover for Long Span Cable Trays/Ladders	WDV...	Page 340	
	Cover for 90° Horizontal Elbow	WBRDV...	Page 340	
	Cover for Horizontal Extension Tee	WTARDV...	Page 341	
	Cover for Horizontal Tee	WTRDV...	Page 341	
	Turnbolt Lock	WDRS 20...	Page 341	

Support Span L m	WSL 105...		WSL 150...		WSLM 150...		WSLS 200...	
	q kN/m	F kN	q kN/m	F kN	q kN/m	F kN	q kN/m	F kN
3	3,00	9,20	3,15	9,70	3,45	10,65	-	-
4	1,70	7,10	2,30	9,55	2,60	10,80	-	-
5	1,10	5,85	1,45	7,65	2,00	10,50	-	-
6	0,75	4,90	0,85	5,60	1,50	9,60	3,45	21,60
7	0,55	4,35	0,58	4,65	1,15	8,75	2,50	18,55
8	0,40	3,75	0,48	4,50	0,90	8,00	1,65	14,40
9	0,31	3,40	0,43	4,60	0,77	7,85	1,15	11,70
10	-	-	-	-	-	-	0,80	9,50
11	-	-	-	-	-	-	0,50	7,15
12	-	-	-	-	-	-	0,35	6,00

q = Uniformly distributed load F = Force





LONG SPAN CABLE LADDER

 **Load/Span Class Designation in accordance with NEMA VE 1 and CSA E22.2 No. 126.1**

Niedax Series	Minimum Area		Load class in accordance to NEMA VE 1		
	(calculational) mm ² / in. ²	in accordance to NEMA VE 2 mm ² / in. ²	Rated Load Kg/m / lb./ft.	Support spacing m / ft.	Load/Span Class
WSLX 105.200, ... F, ... E3	627.0 / 0.97	452 / 0.7	67 / 45	6 / 20	12C, 20AA, D
WSLX 105.300, ... F, ... E3	627.0 / 0.97	452 / 0.7	67 / 45	6 / 20	12C, 20AA, D
WSLX 105.400, ... F, ... E3	627.0 / 0.97	452 / 0.7	67 / 45	6 / 20	12C, 20AA, D
WSLX 105.450, ... F	627.0 / 0.97	452 / 0.7	67 / 45	6 / 20	12C, 20AA, D
WSLX 105.500, ... F, ... E3	627.0 / 0.97	452 / 0.7	67 / 45	6 / 20	12C, 20AA, D
WSLX 105.600, ... F, ... E3	627.0 / 0.97	452 / 0.7	67 / 45	6 / 20	12C, 20AA, D
WSLX 150.200, ... F, ... E3	762.0 / 1.18	645 / 1.0	73 / 49	6 / 20	12C, 20AA, D
WSLX 150.300, ... F, ... E3	762.0 / 1.18	645 / 1.0	73 / 49	6 / 20	12C, 20AA, D
WSLX 150.400, ... F, ... E3	762.0 / 1.18	645 / 1.0	73 / 49	6 / 20	12C, 20AA, D
WSLX 150.450, ... F	762.0 / 1.18	645 / 1.0	73 / 49	6 / 20	12C, 20AA, D
WSLX 150.500, ... F, ... E3	762.0 / 1.18	645 / 1.0	73 / 49	6 / 20	12C, 20AA, D
WSLX 150.600, ... F, ... E3	762.0 / 1.18	645 / 1.0	73 / 49	6 / 20	12C, 20AA, D
WSLX 150.900, ... F	762.0 / 1.18	645 / 1.0	73 / 49	6 / 20	12C, 20AA, D
WSLMX 150.200, ... F	896 / 1.39	645 / 1.0	122 / 82	6 / 20	12C, 20B, E
WSLMX 150.300, ... F	896 / 1.39	645 / 1.0	122 / 82	6 / 20	12C, 20B, E
WSLMX 150.400, ... F	896 / 1.39	645 / 1.0	122 / 82	6 / 20	12C, 20B, E
WSLMX 150.450, ... F	896 / 1.39	645 / 1.0	122 / 82	6 / 20	12C, 20B, E
WSLMX 150.500, ... F	896 / 1.39	645 / 1.0	122 / 82	6 / 20	12C, 20B, E
WSLMX 150.600, ... F	896 / 1.39	645 / 1.0	122 / 82	6 / 20	12C, 20B, E
WSLMX 150.900, ... F	896 / 1.39	645 / 1.0	122 / 82	6 / 20	12C, 20B, E
WLSX 200.200	1460 / 2.26	967.5 / 1.5	260 / 175	6 / 20	20C, E
WLSX 200.300	1460 / 2.26	967.5 / 1.5	260 / 175	6 / 20	20C, E
WLSX 200.400	1460 / 2.26	967.5 / 1.5	260 / 175	6 / 20	20C, E
WLSX 200.500	1460 / 2.26	967.5 / 1.5	260 / 175	6 / 20	20C, E
WLSX 200.600	1460 / 2.26	967.5 / 1.5	260 / 175	6 / 20	20C, E



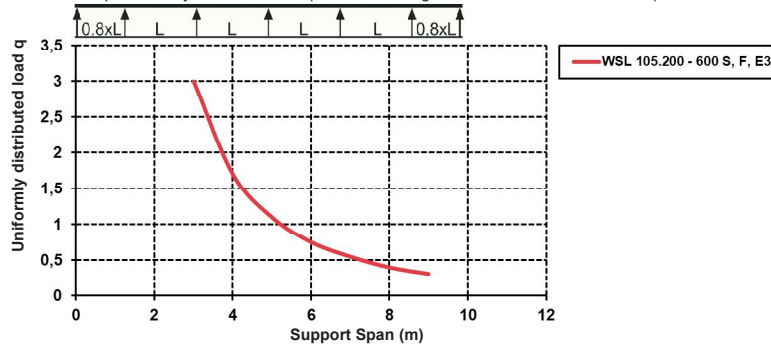
Long Span Cable Ladder

C-channel rungs with 16 mm slot width, standard spacing 300 mm

	Model no.	Height H		Width B		Length L		Thick-ness t	Weight per 100 m	Pack/Box Qty
		mm	Inch	mm	Inch	mm	Inch			
S	WSL 105.200	105	4,1	200	7,9	6000	236,2	1,5	546,14	6 m
S	WSL 105.300	105	4,1	300	11,8	6000	236,2	1,5	573,36	6 m
S	WSL 105.400	105	4,1	400	15,7	6000	236,2	1,5	600,58	6 m
S	WSL 105.450	105	4,1	450	17,7	6000	236,2	1,5	614,17	6 m
S	WSL 105.500	105	4,1	500	19,7	6000	236,2	1,5	626,04	6 m
S	WSL 105.600	105	4,1	600	23,6	6000	236,2	1,5	653,26	6 m
F	WSL 105.200 F	105	4,1	200	7,9	6000	236,2	1,5	601,32	6 m
F	WSL 105.300 F	105	4,1	300	11,8	6000	236,2	1,5	631,26	6 m
F	WSL 105.400 F	105	4,1	400	15,7	6000	236,2	1,5	661,20	6 m
F	WSL 105.450 F	105	4,1	450	17,7	6000	236,2	1,5	675,59	6 m
F	WSL 105.500 F	105	4,1	500	19,7	6000	236,2	1,5	689,21	6 m
F	WSL 105.600 F	105	4,1	600	23,6	6000	236,2	1,5	719,15	6 m
E3	WSL 105.200 E3	105	4,1	200	7,9	6000	236,2	1,5	549,63	6 m
E3	WSL 105.300 E3	105	4,1	300	11,8	6000	236,2	1,5	577,02	6 m
E3	WSL 105.400 E3	105	4,1	400	15,7	6000	236,2	1,5	604,41	6 m
E3	WSL 105.500 E3	105	4,1	500	19,7	6000	236,2	1,5	630,04	6 m
E3	WSL 105.600 E3	105	4,1	600	23,6	6000	236,2	1,5	657,43	6 m

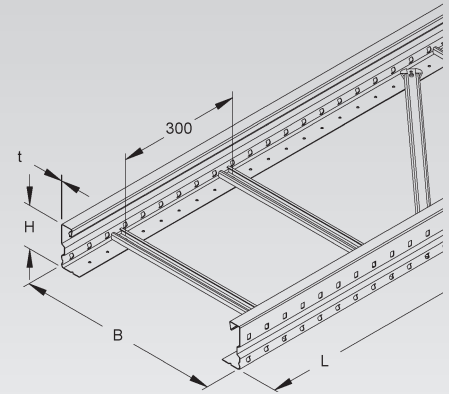
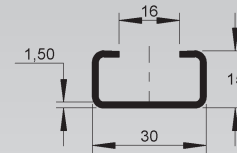
Also available in 3 meter length.

Load Chart: q = uniformly distributed load (tested according to DIN EN IEC 61537 standard)



Specified load ratings are independent of splice plate location.

Height 105 mm	Nominal 4 inches			
		76	87	86



Splice Plate

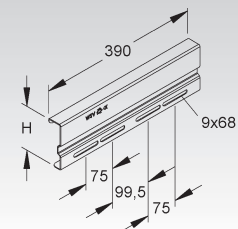
	Model no.	Inside height H		Width B	Acc. incl.	Weight per 100 pcs	Pack/Box Qty
		mm	Inch				
S	WSV 105.390	106,5	4,2	390	4 FLM 8X13 F	116,04	10
F	WSV 105.390 F	106,5	4,2	390	4 FLM 8X13 F	126,88	10
E3	WSV 105.390 E3	106,5	4,2	390	4 FLM 8X16 E3	117,17	10

form-locking straight splice plate for long span trays and ladders

2 pieces required per joint

UL classified splice plates ensure electrical continuity and proper bonding.

Height 105 mm	Nominal 4 inches
---------------------	------------------------



Adjustable Splice Plate

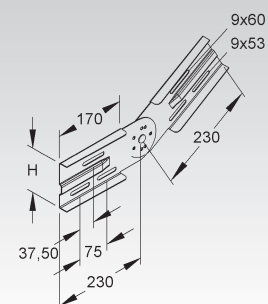
vertical

	Model no.	Inside height H		Acc. incl.	Weight per 100 pcs	Pack/Box Qty
		mm	Inch			
S	WSGV 105	106,5	4,2	6 FLM 8X13 F	92,07	1
F	WSGV 105 F	106,5	4,2	6 FLM 8X13 F	99,91	1
E3	WSGV 105 E3	106,5	4,2	6 FLM 8X16 E3	92,10	1

2 pieces required per joint

UL classified splice plates ensure electrical continuity and proper bonding.

Height 105 mm	Nominal 4 inches
---------------------	------------------------



LONG SPAN CABLE LADDER

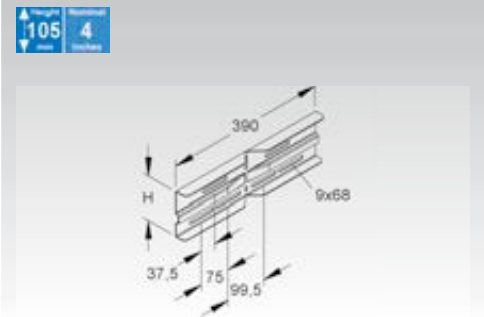
Adjustable Splice Plate

horizontal

	Model no.	Inside height H mm Inch	Width B mm Inch	Acc. incl.	Weight per 100 pcs kg	Pack/Box Qty
S	WSWV 105.390	106,5 4,2	390 15,4	6 FLM 8X13 F	92,46	10
F	WSWV 105.390 F	106,5 4,2	390 15,4	6 FLM 8X13 F	100,57	10
E3	WSWV 105.390 E3	106,5 4,2	390 15,4	6 FLM 8X16 E3	82,33	10

2 pieces required per joint

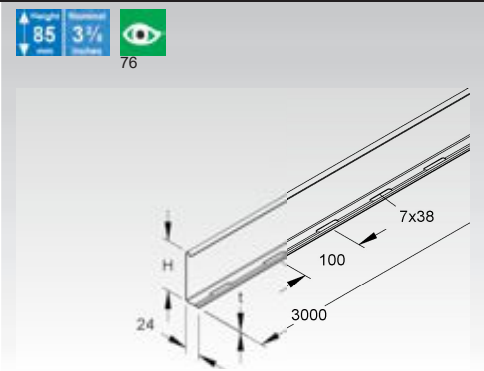
UL classified splice plates ensure electrical continuity and proper bonding.



Divider

	Model no.	Height H mm Inch	Thickness t mm	Acc. incl.	Weight per 100 m kg	Pack/Box Qty
S	RW 85	80 3,1	0,9	4 FLM 6X12	78,39	10 x 3 m
F	RW 85 F	80 3,1	0,9	4 FLM 6X12 F	86,12	10 x 3 m
E3	RW 85 E3	80 3,1	0,9	4 FLM 6X12 E3	78,88	10 x 3 m

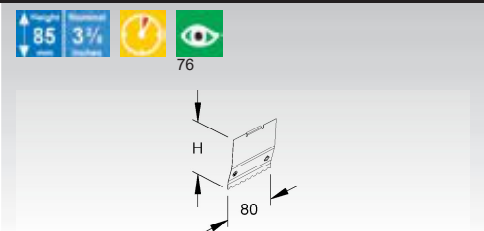
to separate wires and cables of different voltage levels or with different functions



Splice Plate for Divider

	Model no.	Height H mm Inch	Length L mm Inch	Weight per 100 pcs kg	Pack/Box Qty
E2	RTV 85 E2	79,5 3,1	80 3,1	2,03	20

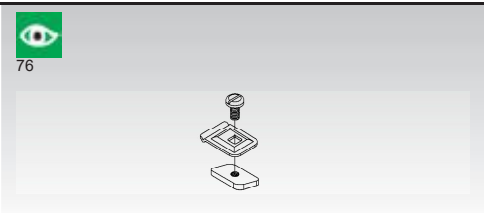
for positive locking connections and proper bonding of dividers



Mounting Clamp for Divider

	Model no.	Acc. incl.	Weight per 100 pcs kg	Pack/Box Qty
S	KLWC 16	1 FK 6X12 V, GSM 406 G	2,65	50
F	KLWC 16 F	FK 6X10 E3, GSM 406 E3	2,70	50

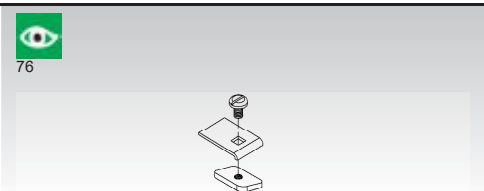
Suitable for: divider RW...



Mounting Clamp for Divider

	Model no.	Acc. incl.	Weight per 100 pcs kg	Pack/Box Qty
E3	KLWC 16 E3	FK 6X10 E3, GSM 406 E3	3	50

Suitable for: divider RW...



Extension Horizontal Tee

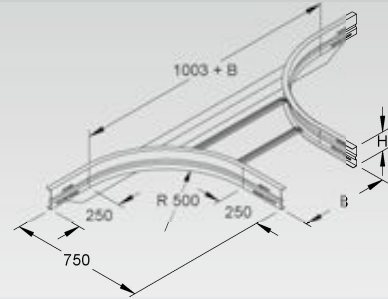
with integrated splices

Model no.		Inside height H	Inside dimension B	Acc. incl.	Weight per 100 pcs kg	Pack/Box Qty
		mm Inch	mm Inch			
S	WSTAR 105.200	106,5 4,2	205 8,1	12 FLM 8x13 F	973,66	1
S	WSTAR 105.300	106,5 4,2	305 12	12 FLM 8x13 F	1.010,26	1
S	WSTAR 105.400	106,5 4,2	405 15,9	12 FLM 8x13 F	1.047,84	1
S	WSTAR 105.450	106,5 4,2	455 17,9	12 FLM 8x13 F	1.066,82	1
S	WSTAR 105.500	106,5 4,2	505 19,9	12 FLM 8x13 F	1.087,15	1
S	WSTAR 105.600	106,5 4,2	605 23,8	12 FLM 8x13 F	1.119,46	1
F	WSTAR 105.200 F	106,5 4,2	205 8,1	12 FLM 8x13 F	1.068,63	1
F	WSTAR 105.300 F	106,5 4,2	305 12	12 FLM 8x13 F	1.108,89	1
F	WSTAR 105.400 F	106,5 4,2	405 15,9	12 FLM 8x13 F	1.150,22	1
F	WSTAR 105.450 F	106,5 4,2	455 17,9	12 FLM 8x13 F	1.171,10	1
F	WSTAR 105.500 F	106,5 4,2	505 19,9	12 FLM 8x13 F	1.193,47	1
F	WSTAR 105.600 F	106,5 4,2	605 23,8	12 FLM 8x13 F	1.229,01	1
E3	WSTAR 105.200 E3	106,5 4,2	205 8,1	12 FLM 8x16 E3	818,80	1
E3	WSTAR 105.300 E3	106,5 4,2	305 12	12 FLM 8x16 E3	850,35	1
E3	WSTAR 105.400 E3	106,5 4,2	405 15,9	12 FLM 8x16 E3	881,90	1
E3	WSTAR 105.500 E3	106,5 4,2	505 19,9	12 FLM 8x16 E3	1.010,74	1
E3	WSTAR 105.600 E3	106,5 4,2	605 23,8	12 FLM 8x16 E3	1.042,76	1

for field manufacturing of horizontal tees and crosses



88

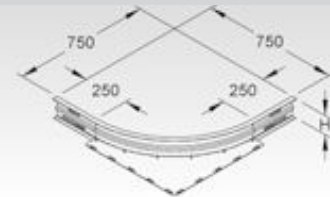
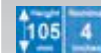


Horizontal Elbow Building Block

with integrated splices

Model no.		Inside height H	Acc. incl.	Weight per 100 pcs kg	Pack/Box Qty
		mm Inch			
S	WAER 105	106,5 4,2	10 FLM 8X13 F	413,30	1
F	WAER 105 F	106,5 4,2	10 FLM 8X13 F	452,63	1
E3	WAER 105 E3	106,5 4,2	10 FLM 8X16 E3	374,73	1

for field manufacturing of longspan elbows and tees



Horizontal Elbow 90°

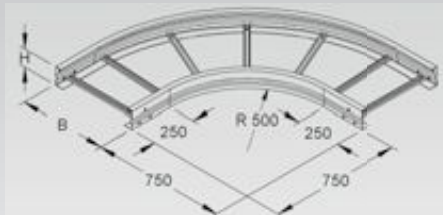
with solid siderails but prepunched holes for splice plates

Model no.		Height H	Width B	Weight per 100 pcs kg	Pack/Box Qty
		mm Inch	mm Inch		
S	WSBR 105.200	105 4,1	200 7,9	830,73	1
S	WSBR 105.300	105 4,1	300 11,8	923,31	1
S	WSBR 105.400	105 4,1	400 15,7	1.015,90	1
S	WSBR 105.450	105 4,1	450 17,7	1.062,19	1
S	WSBR 105.500	105 4,1	500 19,7	1.108,48	1
S	WSBR 105.600	105 4,1	600 23,6	1.201,07	1
F	WSBR 105.200 F	105 4,1	200 7,9	913,80	1
F	WSBR 105.300 F	105 4,1	300 11,8	1.015,64	1
F	WSBR 105.400 F	105 4,1	400 15,7	1.117,49	1
F	WSBR 105.450 F	105 4,1	450 17,7	1.168,41	1
F	WSBR 105.500 F	105 4,1	500 19,7	1.219,33	1
F	WSBR 105.600 F	105 4,1	600 23,6	1.321,18	1
E3	WSBR 105.200 E3	105 4,1	200 7,9	836,04	1
E3	WSBR 105.300 E3	105 4,1	300 11,8	929,21	1
E3	WSBR 105.400 E3	105 4,1	400 15,7	1.022,39	1
E3	WSBR 105.500 E3	105 4,1	500 19,7	1.115,56	1
E3	WSBR 105.600 E3	105 4,1	600 23,6	1.208,74	1

WSV 105.390 splice plates have to be ordered separately.



86



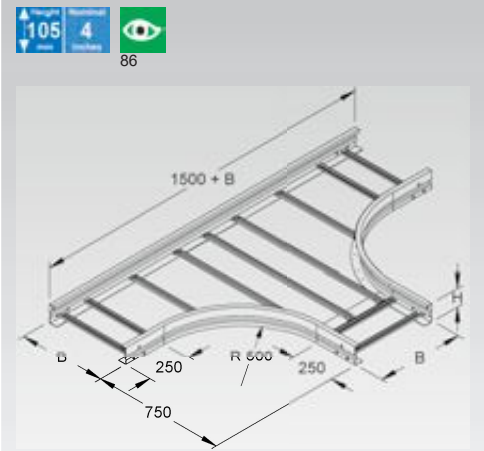
LONG SPAN CABLE LADDER

Horizontal Tee

with solid siderails but prepunched holes for splice plates

	Model no.	Height H		Width B		Weight per 100 pcs kg	Pack/Box Qty
		mm	Inch	mm	Inch		
S	WSTR 105.200	105	4,1	200	7,9	1.324,57	1
S	WSTR 105.300	105	4,1	300	11,8	1.425,32	1
S	WSTR 105.400	105	4,1	400	15,7	1.583,86	1
S	WSTR 105.450	105	4,1	450	17,7	1.641,58	1
S	WSTR 105.500	105	4,1	500	19,7	1.774,73	1
S	WSTR 105.600	105	4,1	600	23,6	1.897,71	1
F	WSTR 105.200 F	105	4,1	200	7,9	1.457,03	1
F	WSTR 105.300 F	105	4,1	300	11,8	1.567,85	1
F	WSTR 105.400 F	105	4,1	400	15,7	1.742,25	1
F	WSTR 105.450 F	105	4,1	450	17,7	1.805,74	1
F	WSTR 105.500 F	105	4,1	500	19,7	1.952,20	1
F	WSTR 105.600 F	105	4,1	600	23,6	2.087,48	1
E3	WSTR 105.200 E3	105	4,1	200	7,9	1.333,04	1
E3	WSTR 105.300 E3	105	4,1	300	11,8	1.434,43	1
E3	WSTR 105.400 E3	105	4,1	400	15,7	1.593,97	1
E3	WSTR 105.500 E3	105	4,1	500	19,7	1.786,07	1
E3	WSTR 105.600 E3	105	4,1	600	23,6	1.909,83	1

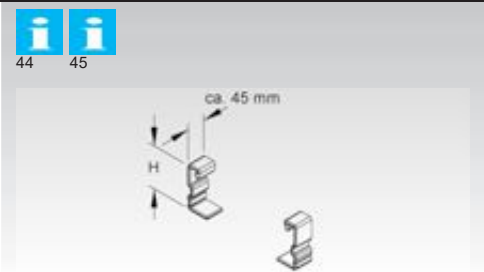
WSV 105.390 splice plates have to be ordered separately.



Pair of Protective End Caps

	Model no.	Height H		Color	Weight per 100 pair kg	Pack/Box Qty
		mm	Inch			
K10	SKWHM 105	105	4,1	yellow	11,12	10 sets

Suitable for: long span cable ladder WSL 105...



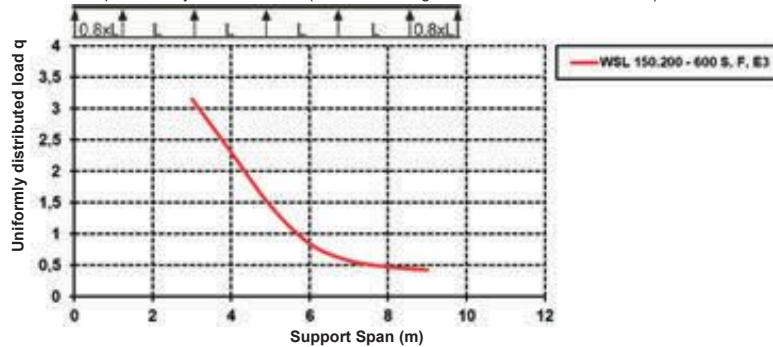
Long Span Cable Ladder

C-channel rungs with 16 mm slot width, standard spacing 300 mm

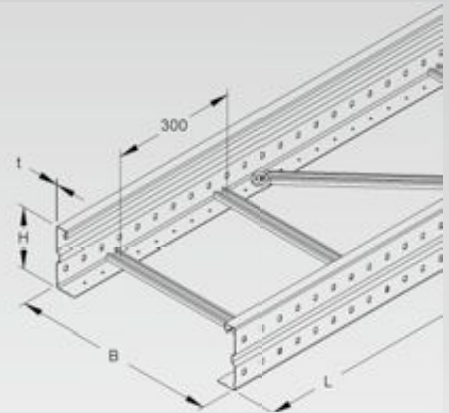
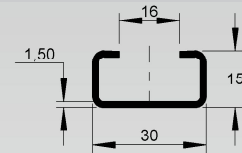
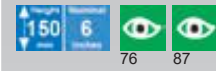
Model no.	Height H		Width B		Length L		Thick-ness t	Weight per 100 m/ kg	Pack/ Box Qty
	mm	Inch	mm	Inch	mm	Inch			
S WSL 150.200	150	5,9	200	7,9	6000	236,2	1,5	652,55	6 m
S WSL 150.300	150	5,9	300	11,8	6000	236,2	1,5	679,77	6 m
S WSL 150.400	150	5,9	400	15,7	6000	236,2	1,5	706,99	6 m
S WSL 150.450	150	5,9	450	17,7	6000	236,2	1,5	720,58	6 m
S WSL 150.500	150	5,9	500	19,7	6000	236,2	1,5	732,45	6 m
S WSL 150.600	150	5,9	600	23,6	6000	236,2	1,5	759,67	6 m
S WSL 150.900	150	5,9	900	35,4	6000	236,2	1,5	1.029,47	6 m
F WSL 150.200 F	150	5,9	200	7,9	6000	236,2	1,5	718,37	6 m
F WSL 150.300 F	150	5,9	300	11,8	6000	236,2	1,5	748,31	6 m
F WSL 150.400 F	150	5,9	400	15,7	6000	236,2	1,5	778,25	6 m
F WSL 150.450 F	150	5,9	450	17,7	6000	236,2	1,5	792,64	6 m
F WSL 150.500 F	150	5,9	500	19,7	6000	236,2	1,5	806,26	6 m
F WSL 150.600 F	150	5,9	600	23,6	6000	236,2	1,5	836,20	6 m
F WSL 150.900 F	150	5,9	900	35,4	6000	236,2	1,5	1.132,42	6 m
E3 WSL 150.200 E3	150	5,9	200	7,9	6000	236,2	1,5	656,71	6 m
E3 WSL 150.300 E3	150	5,9	300	11,8	6000	236,2	1,5	684,11	6 m
E3 WSL 150.400 E3	150	5,9	400	15,7	6000	236,2	1,5	711,50	6 m
E3 WSL 150.500 E3	150	5,9	500	19,7	6000	236,2	1,5	737,13	6 m
E3 WSL 150.600 E3	150	5,9	600	23,6	6000	236,2	1,5	764,52	6 m

Also available in 3 meter length.

Load Chart: q = uniformly distributed load (tested according to DIN EN IEC 61537 standard)



Specified load ratings are independent of splice plate location.



LONG SPAN CABLE LADDER

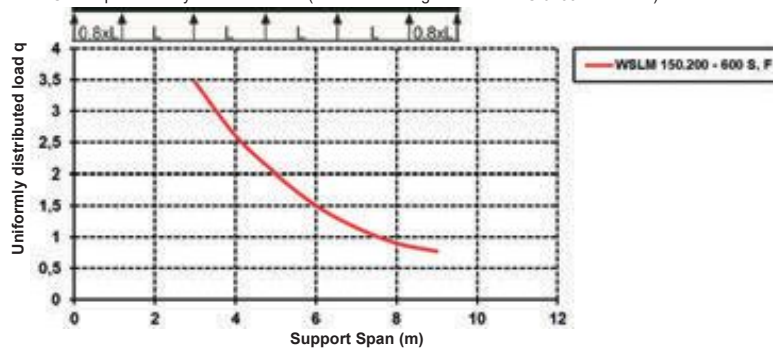
Long Span Cable Ladder

C-channel rungs with 16 mm slot width, standard spacing 300 mm

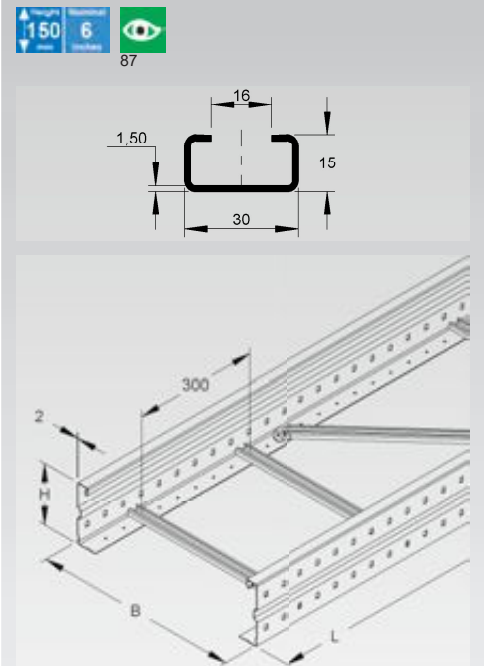
	Model no.	Height H		Width B		Length L		Thick-ness t	Weight per 100 m	Pack/Box Qty
		mm	Inch	mm	Inch	mm	Inch			
S	WSLM 150.200	150	5,9	200	7,9	6000	236,2	2	846,85	6 m
S	WSLM 150.300	150	5,9	300	11,8	6000	236,2	2	874,07	6 m
S	WSLM 150.400	150	5,9	400	15,7	6000	236,2	2	901,29	6 m
S	WSLM 150.450	150	5,9	450	17,7	6000	236,2	2	914,89	6 m
S	WSLM 150.500	150	5,9	500	19,7	6000	236,2	2	926,76	6 m
S	WSLM 150.600	150	5,9	600	23,6	6000	236,2	2	953,98	6 m
S	WSLM 150.900	150	5,9	900	35,4	6000	236,2	2	1.223,78	6 m
F	WSLM 150.200 F	150	5,9	200	7,9	6000	236,2	2	931,54	6 m
F	WSLM 150.300 F	150	5,9	300	11,8	6000	236,2	2	961,48	6 m
F	WSLM 150.400 F	150	5,9	400	15,7	6000	236,2	2	991,42	6 m
F	WSLM 150.450 F	150	5,9	450	17,7	6000	236,2	2	1.005,29	6 m
F	WSLM 150.500 F	150	5,9	500	19,7	6000	236,2	2	1.019,43	6 m
F	WSLM 150.600 F	150	5,9	600	23,6	6000	236,2	2	1.049,37	6 m
F	WSLM 150.900 F	150	5,9	900	35,4	6000	236,2	2	1.346,15	6 m

Also available in 3 meter length.

Load Chart: q = uniformly distributed load (tested according to DIN EN IEC 61537 standard)



Specified load ratings are independent of splice plate location.



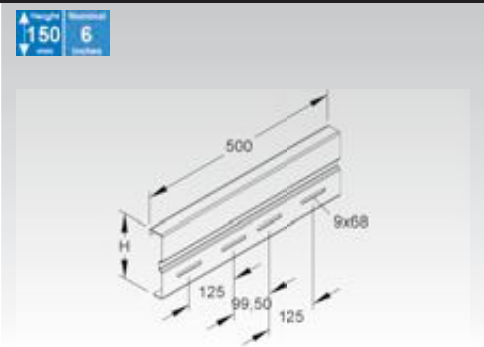
Splice Plate

	Model no.	Inside height H		Width B	Acc. incl.	Weight per 100 pcs	Pack/Box Qty
		mm	Inch				
S	WSV 150.500	151,5	6	500	4 FLM 8X13 F	180,00	10
F	WSV 150.500 F	151,5	6	500	4 FLM 8X13 F	200,62	10
E3	WSV 150.500 E3	151,5	6	500	4 FLM 8X16 E3	185,00	10

form-locking straight splice plate for long span trays and ladders

2 pieces required per joint

UL classified splice plates ensure electrical continuity and proper bonding.



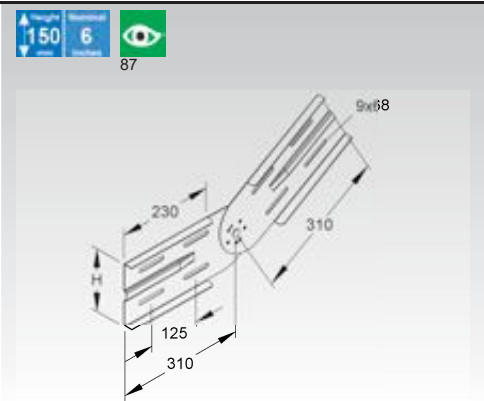
Adjustable Splice Plate

vertical

	Model no.	Inside height H		Acc. incl.	Weight per 100 pcs	Pack/Box Qty
		mm	Inch			
S	WSGV 150	151,5	6	6 FLM 8X13 F	151,95	1
F	WSGV 150 F	151,5	6	6 FLM 8X13 F	180,00	1
E3	WSGV 150 E3	151,5	6	6 FLM 8X16 E3	152,42	1

2 pieces required per joint

UL classified splice plates ensure electrical continuity and proper bonding.



Adjustable Splice Plate

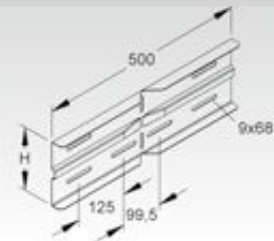
horizontal

	Model no.	Inside height H		Width B		Acc. incl.	Weight per 100 pcs kg	Pack/Box Qty
		mm	Inch	mm	Inch			
S	WSWV 150	151,5	6	500	19,7	6 FLM 8X13 F	128,75	10
F	WSWV 150 F	151,5	6	500	19,7	6 FLM 8X13 F	140,49	10
E3	WSWV 150 E3	151,5	6	500	19,7	6 FLM 8X16 E3	130,70	10

2 pieces required per joint

UL classified splice plates ensure electrical continuity and proper bonding.

Height 150
Thickness 6

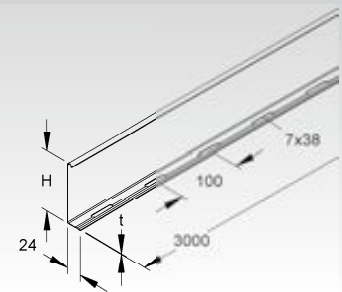


Divider

	Model no.	Height H		Thick-ness t	Acc. incl.	Weight per 100 m kg	Pack/Box Qty
		mm	Inch				
S	RW 110	98	3,9	0,9	4 FLM 6X12	90,37	10 x 3 m
F	RW 110 F	98	3,9	0,9	4 FLM 6X12 F	99,30	10 x 3 m
E3	RW 110 E3	98	3,9	0,9	4 FLM 6X12 E3	88,73	10 x 3 m

to separate wires and cables of different voltage levels or with different functions

Height 110
Thickness 4%
Eye icon
76

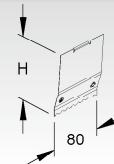


Splice Plate for Divider

	Model no.	Height H		Length L		Weight per 100 pcs kg	Pack/Box Qty
		mm	Inch	mm	Inch		
E2	RTV 110 E2	97,5	3,8	80	3,1	2,5	20

for positive locking connections and proper bonding of dividers

Height 110
Thickness 4%
Eye icon
76



Mounting Clamp for Divider

	Model no.	Acc. incl.		Weight per 100 pcs kg	Pack/Box Qty
		Model no.	Acc. incl.		
S	KLWC 16	1 FK 6X12 V, GSM 406 G		2,65	50
F	KLWC 16 F	FK 6X10 E3, GSM 406 E3		2,70	50

Suitable for: divider RW...

Eye icon
76

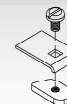


Mounting Clamp for Divider

	Model no.	Acc. incl.		Weight per 100 pcs kg	Pack/Box Qty
		Model no.	Acc. incl.		
E3	KLWC 16 E3	FK 6X10 E3, GSM 406 E3		3	50

Suitable for: divider RW...

Eye icon
76



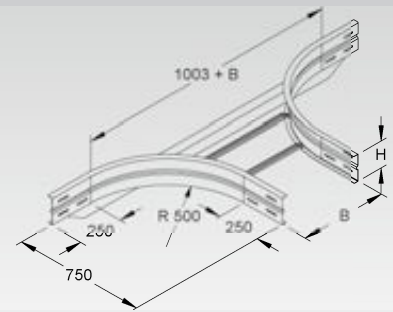
LONG SPAN CABLE LADDER

Extension Horizontal Tee

with integrated splices

	Model no.	Inside height H		Inside dimension B	Acc. incl.	Weight per 100 pcs kg	Pack/Box Qty
		mm	Inch				
S	WSTAR 150.200	151,5	6	205 8,1	12 FLM 8x13 F	1.026,89	1
S	WSTAR 150.300	151,5	6	305 12	12 FLM 8x13 F	1.063,49	1
S	WSTAR 150.400	151,5	6	405 15,9	12 FLM 8x13 F	1.101,07	1
S	WSTAR 150.450	151,5	6	455 17,9	12 FLM 8x13 F	1.120,05	1
S	WSTAR 150.500	151,5	6	505 19,9	12 FLM 8x13 F	1.140,38	1
S	WSTAR 150.600	151,5	6	605 23,8	12 FLM 8x13 F	1.172,69	1
S	WSTAR 150.900	151,5	6	905 35,6	12 FLM 8x13 F	1.423,22	1
F	WSTAR 150.200 F	151,5	6	205 8,1	12 FLM 8x13 F	1.127,18	1
F	WSTAR 150.300 F	151,5	6	305 12	12 FLM 8x13 F	1.167,44	1
F	WSTAR 150.400 F	151,5	6	405 15,9	12 FLM 8x13 F	1.208,78	1
F	WSTAR 150.450 F	151,5	6	455 17,9	12 FLM 8x13 F	1.229,66	1
F	WSTAR 150.500 F	151,5	6	505 19,9	12 FLM 8x13 F	1.252,02	1
F	WSTAR 150.600 F	151,5	6	605 23,8	12 FLM 8x13 F	1.287,56	1
F	WSTAR 150.900 F	151,5	6	905 35,6	12 FLM 8x13 F	1.563,14	1

for field manufacturing of horizontal tees and crosses

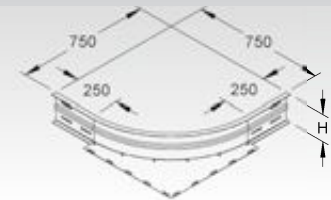


Horizontal Elbow Building Block

with integrated splices

	Model no.	Inside height H		Acc. incl.	Weight per 100 pcs kg	Pack/Box Qty
		mm	Inch			
S	WAER 150	151,5	6	10 FLM 8X13 F	439,93	1
F	WAER 150 F	151,5	6	10 FLM 8X13 F	481,92	1
E3	WAER 150 E3	151,5	6	10 FLM 8X16 E3	443,34	1

for field manufacturing of longspan elbows and tees

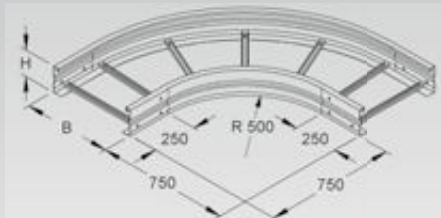


Horizontal Elbow 90°

with solid siderails but prepunched holes for splice plates

	Model no.	Height H		Width B	Weight per 100 pcs kg	Pack/Box Qty
		mm	Inch			
S	WSBR 150.200	150	5,9	200 7,9	983,71	1
S	WSBR 150.300	150	5,9	300 11,8	1.084,62	1
S	WSBR 150.400	150	5,9	400 15,7	1.185,53	1
S	WSBR 150.450	150	5,9	450 17,7	1.235,98	1
S	WSBR 150.500	150	5,9	500 19,7	1.286,44	1
S	WSBR 150.600	150	5,9	600 23,6	1.387,35	1
S	WSBR 150.900	150	5,9	900 35,4	2.102,59	1
F	WSBR 150.200 F	150	5,9	200 7,9	1.082,08	1
F	WSBR 150.300 F	150	5,9	300 11,8	1.193,08	1
F	WSBR 150.400 F	150	5,9	400 15,7	1.304,08	1
F	WSBR 150.450 F	150	5,9	450 17,7	1.359,58	1
F	WSBR 150.500 F	150	5,9	500 19,7	1.415,08	1
F	WSBR 150.600 F	150	5,9	600 23,6	1.526,09	1
F	WSBR 150.900 F	150	5,9	900 35,4	2.312,85	1
E3	WSBR 150.200 E3	150	5,9	200 7,9	990,00	1
E3	WSBR 150.300 E3	150	5,9	300 11,8	1.091,55	1
E3	WSBR 150.400 E3	150	5,9	400 15,7	1.193,10	1
E3	WSBR 150.500 E3	150	5,9	500 19,7	1.294,65	1
E3	WSBR 150.600 E3	150	5,9	600 23,6	1.396,20	1

WSV 150.500 splice plates have to be ordered separately.



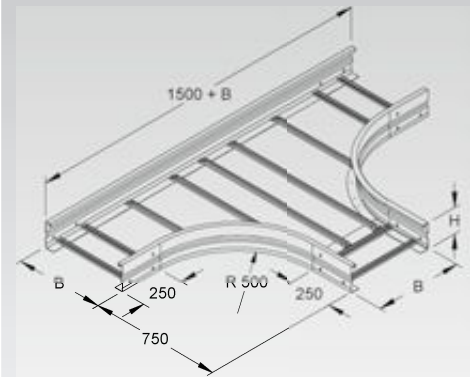
Horizontal Tee

with solid siderails but prepunched holes for splice plates

	Model no.	Height H		Width B		Weight per 100 pcs kg	Pack/Box Qty
		mm	Inch	mm	Inch		
S	WSTR 150.200	150	5,9	200	7,9	1.551,15	1
S	WSTR 150.300	150	5,9	300	11,8	1.657,20	1
S	WSTR 150.400	150	5,9	400	15,7	1.821,03	1
S	WSTR 150.450	150	5,9	450	17,7	1.881,41	1
S	WSTR 150.500	150	5,9	500	19,7	2.017,21	1
S	WSTR 150.600	150	5,9	600	23,6	2.145,48	1
S	WSTR 150.900	150	5,9	900	35,4	3.477,52	1
F	WSTR 150.200 F	150	5,9	200	7,9	1.706,27	1
F	WSTR 150.300 F	150	5,9	300	11,8	1.822,92	1
F	WSTR 150.400 F	150	5,9	400	15,7	2.003,13	1
F	WSTR 150.450 F	150	5,9	450	17,7	2.069,55	1
F	WSTR 150.500 F	150	5,9	500	19,7	2.218,93	1
F	WSTR 150.600 F	150	5,9	600	23,6	2.360,03	1
F	WSTR 150.900 F	150	5,9	900	35,4	3.825,27	1
E3	WSTR 150.200 E3	150	5,9	200	7,9	1.561,06	1
E3	WSTR 150.300 E3	150	5,9	300	11,8	1.667,78	1
E3	WSTR 150.400 E3	150	5,9	400	15,7	1.832,66	1
E3	WSTR 150.500 E3	150	5,9	500	19,7	2.030,09	1
E3	WSTR 150.600 E3	150	5,9	600	23,6	2.159,18	1

WSV 150.500 splice plates have to be ordered separately.

Height 150 mm
Material 6



Reducer

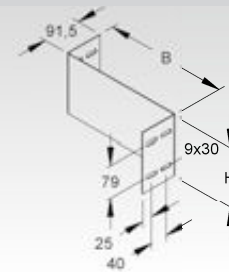
	Model no.	Height H		Width B		Weight per 100 pcs kg	Pack/Box Qty
		mm	Inch	mm	Inch		
S	WSRS 150.100 S	150	5,9	100	3,9	53,61	1
S	WSRS 150.150 S	150	5,9	150	5,9	62,20	1
S	WSRS 150.200 S	150	5,9	200	7,9	70,80	1
S	WSRS 150.300 S	150	5,9	300	11,8	87,99	1

can be used as a reducer for long span cable trays and ladders

Height 150 mm
Material 6



89



Endplate

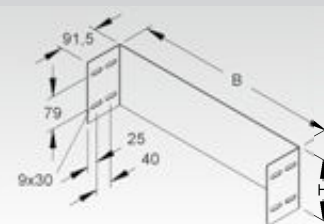
	Model no.	Height H		Width B		Weight per 100 pcs kg	Pack/Box Qty
		mm	Inch	mm	Inch		
S	WSAS 150.200 S	150	5,9	200	7,9	71,30	1
S	WSAS 150.300 S	150	5,9	300	11,8	88,50	1
S	WSAS 150.400 S	150	5,9	400	15,7	105,69	1
S	WSAS 150.450 S	150	5,9	450	17,7	114,28	1
S	WSAS 150.500 S	150	5,9	500	19,7	122,88	1
S	WSAS 150.600 S	150	5,9	600	23,6	140,07	1
S	WSAS 150.900 S	150	5,9	900	35,4	192,00	1

can be used as blind end or as reducer for long span cable trays and ladders

Height 150 mm
Material 6



89

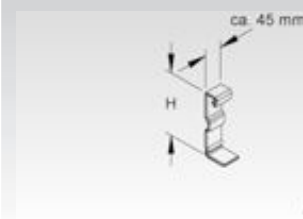


Pair of Protective End Caps

	Model no.	Height H		Color	Weight per 100 pcs kg	Pack/Box Qty
		mm	Inch			
*	K10 SKWHM 150	150	5,9	yellow	6	10

Suitable for: long span cable ladder WSL 150...

44 45

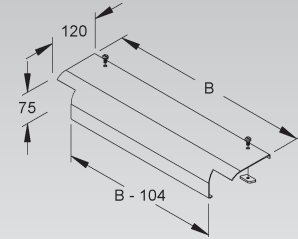


LONG SPAN CABLE LADDER

Ladder Drop Out

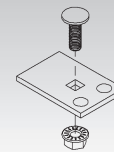
	Model no.	Width B		Acc. incl.	Weight per 100 pcs kg	Pack/Box Qty
		mm	Inch			
S	WLAB 200	190	7,5	2 FK 6X12 V, 2 GSM 406 G	37,17	1
S	WLAB 300	290	11,4	2 FK 6X12 V, 2 GSM 406 G	59,92	1
S	WLAB 400	390	15,4	2 FK 6X12 V, 2 GSM 406 G	82,67	1
S	WLAB 500	490	19,3	2 FK 6X12 V, 2 GSM 406 G	138,33	1
S	WLAB 600	590	23,2	2 FK 6X12 V, 2 GSM 406 G	168,38	1
F	WLAB 200 F	190	7,5	2 FK 6X10 E3, 2 GSM 406 E3	40,46	1
F	WLAB 300 F	290	11,4	2 FK 6X10 E3, 2 GSM 406 E3	65,48	1
F	WLAB 400 F	390	15,4	2 FK 6X10 E3, 2 GSM 406 E3	90,51	1
F	WLAB 500 F	490	19,3	2 FK 6X10 E3, 2 GSM 406 E3	151,73	1
F	WLAB 600 F	590	23,2	2 FK 6X10 E3, 2 GSM 406 E3	184,79	1
E3	WLAB 200 E3	190	7,5	2 FK 6X10 E3, 2 GSM 406 E3	37,33	1
E3	WLAB 300 E3	290	11,4	2 FK 6X10 E3, 2 GSM 406 E3	60,23	1
E3	WLAB 400 E3	390	15,4	2 FK 6X10 E3, 2 GSM 406 E3	83,13	1
E3	WLAB 500 E3	490	19,3	2 FK 6X10 E3, 2 GSM 406 E3	139,14	1
E3	WLAB 600 E3	590	23,2	2 FK 6X10 E3, 2 GSM 406 E3	169,39	1

with rounded edges to protect cables at the drop out



Mounting Clamp for Long Span Ladders

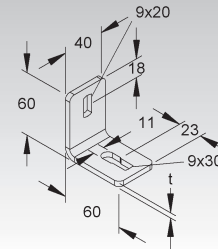
	Model no.	Acc. incl.	Weight per 100 pcs kg	Pack/Box Qty
F	WSTB 2	1 FLM 8X25 F	12,19	50
E3	WSTB 2 E3	1 FLDM 8X25 E3	11,96	50



Two Hole Corner Angle

	Model no.	Thickness t mm	Acc. incl.	Weight per 100 pcs kg	Pack/Box Qty
F	WWU 150/8	5	1 FLM 8X16 F	19,11	50
E3	WWU 150/8 E3	4	1 FLM 8X16 E3	14,87	50

for floor-, ceiling- or wall-mounting

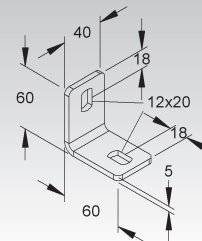


Two Hole Corner Angle

	Model no.	Acc. incl.	Weight per 100 pcs kg	Pack/Box Qty
F	WWU 150	1 FLM 10X25 F	21,03	50

for floor-, ceiling- or wall-mounting

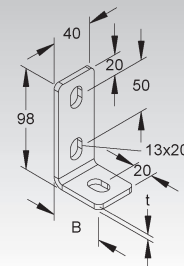
Suitable for: U-profiles U 4530/..., U 5050/... and U 6040/...



Three Hole Corner Angle

	Model no.	Width B mm Inch	Thickness t mm	Acc. incl.	Weight per 100 pcs kg	Pack/Box Qty
F	WWA 100	50,0 2	5	1 FLM 10X25 F	24,98	50
E3	WWA 100 E3	48,5 1,9	4	1 FLM 10X25 E3	19,42	50

for floor-, ceiling- or wall-mounting



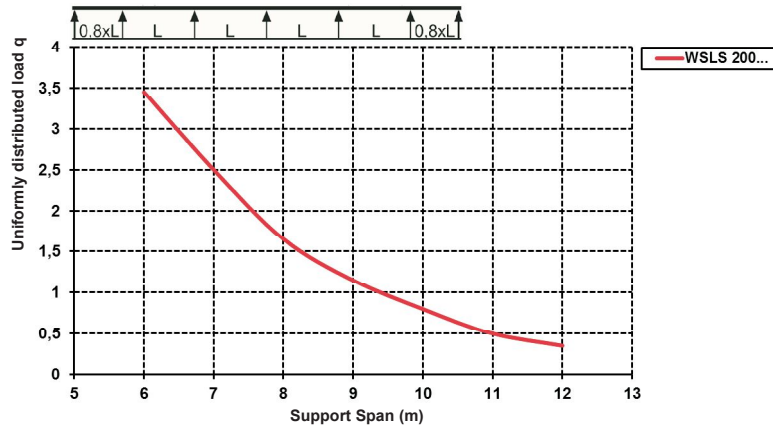
Long Span Cable Ladder

super heavy-duty version

	Model no.	Height H		Width B		Thick-ness t	Weight per 100 m	Pack/Box Qty
		mm	Inch	mm	Inch			
F	WLSL 200.200	200	7,9	200	7,9	2,5	1.318,82	6 m
F	WLSL 200.300	200	7,9	300	11,8	2,5	1.346,49	6 m
F	WLSL 200.400	200	7,9	400	15,7	2,5	1.374,17	6 m
F	WLSL 200.500	200	7,9	500	19,7	2,5	1.401,84	6 m
F	WLSL 200.600	200	7,9	600	23,6	2,5	1.429,51	6 m

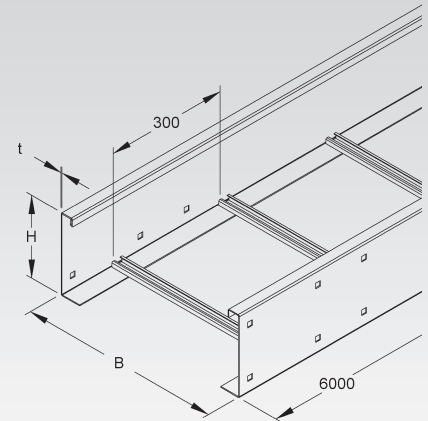
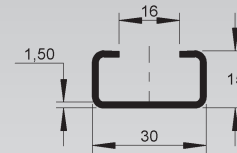
extra heavy duty side rails with welded C-rail rungs (16 mm slot width)

Load Chart: q = uniformly distributed load (tested according to DIN EN IEC 61537 standard)



Specified load ratings are independent of splice plate location.

Height 200 mm
Nominal 8 inches
90



Splice Plate

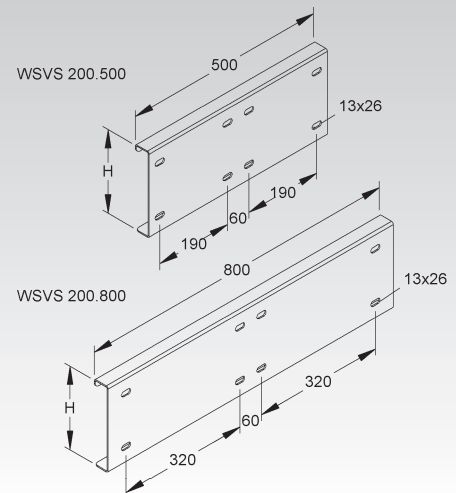
	Model no.	Inside height H		Length L		Acc. incl.	Weight per 100 pc.	Pack/Box Qty
		mm	Inch	mm	Inch			
F	WSVS 200.500	203	8	500	19,7	8 FLM 12X30 F	437,67	1
F	WSVS 200.800	203	8	800	31,5	8 FLM 12X30 F	665,76	1

form locking straight splice plate

2 pieces required per joint

UL classified splice plates ensure electrical continuity and proper bonding.

Height 200 mm
Nominal 8 inches



LONG SPAN CABLE LADDER

Adjustable Splice Plate

vertical

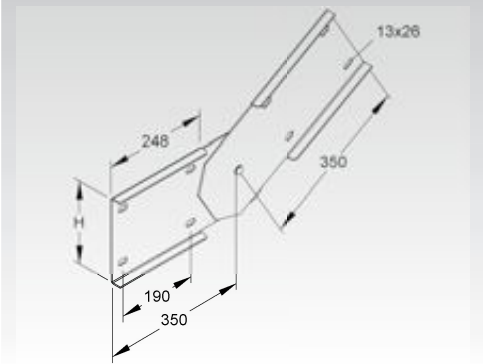
Model no.	Inside height H mm Inch	Acc. incl.	Weight per 100 pc. kg	Pack/Box Qty
F WSGVS 200	202 8	8 FLM 12X30 F	571,38	1

for building vertical elbows

2 pieces required per joint

UL classified splice plates ensure electrical continuity and proper bonding.

Height 200
Width 8



Angle Joint

horizontal

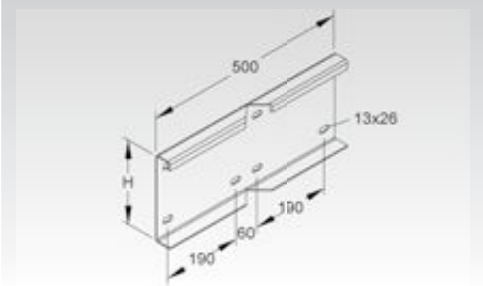
Model no.	Inside height H mm Inch	Acc. incl.	Weight per 100 pc. kg	Pack/Box Qty
F WSWVS 200	203 8	8 FLM 12X30 F	426,95	1

for building horizontal elbows

2 pieces required per joint

UL classified splice plates ensure electrical continuity and proper bonding.

Height 200
Width 8



Elbow 90°

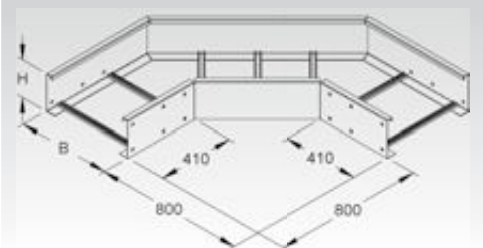
extra heavy duty side rails with welded C-rail rungs (16 mm slot width)

Model no.	Height H mm Inch	Width B mm Inch	Weight per 100 pc. kg	Pack/Box Qty
F WSBS 200.200	200 7,9	200 7,9	2.039,26	1
F WSBS 200.300	200 7,9	300 11,8	2.202,08	1
F WSBS 200.400	200 7,9	400 15,7	2.365,53	1
F WSBS 200.500	200 7,9	500 19,7	2.528,34	1
F WSBS 200.600	200 7,9	600 23,6	2.691,16	1

perforated heavy duty side rails with reinforcing fins, welded C-rail rungs with 16 mm slot width

Splice plates have to be ordered separately.

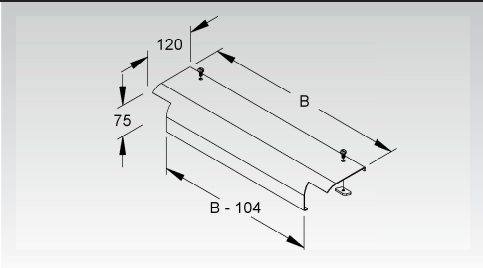
Height 200
Width 8



Ladder Drop Out

Model no.	Width B mm Inch	Acc. incl.	Weight per 100 pcs kg	Pack/Box Qty
F WLAB 200 F	190 7,5	2 FK 6X10 E3, 2 GSM 406 E3	40,46	1
F WLAB 300 F	290 11,4	2 FK 6X10 E3, 2 GSM 406 E3	65,48	1
F WLAB 400 F	390 15,4	2 FK 6X10 E3, 2 GSM 406 E3	90,51	1
F WLAB 500 F	490 19,3	2 FK 6X10 E3, 2 GSM 406 E3	151,73	1
F WLAB 600 F	590 23,2	2 FK 6X10 E3, 2 GSM 406 E3	184,79	1

with rounded edges to protect cables at the drop out



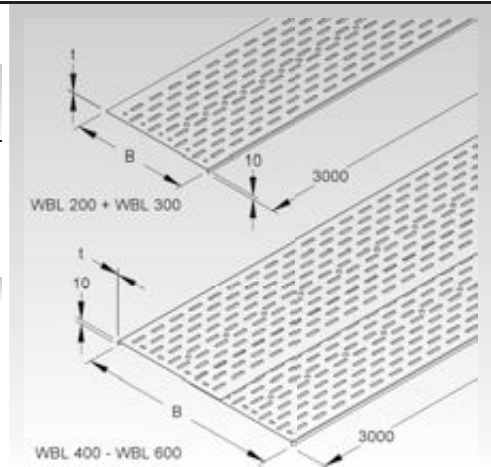
Bottom Plate

ventilated

	Model no.	Width B		Thick-ness t	Weight per 100	Pack/Box Qty
		mm	Inch			
F	WBL 200 F	185	7,3	0,9	130,36	3 m
F	WBL 300 F	285	11,2	0,9	195,19	3 m
F	WBL 400 F	390	15,4	0,9	325,55	3 m
F	WBL 500 F	490	19,3	0,9	390,39	3 m
F	WBL 600 F	590	23,2	0,9	455,22	3 m

for long span ladders WSLs...

WBL 400-600 are sets of 2 bottom plates of 200 and/or 300 mm width.



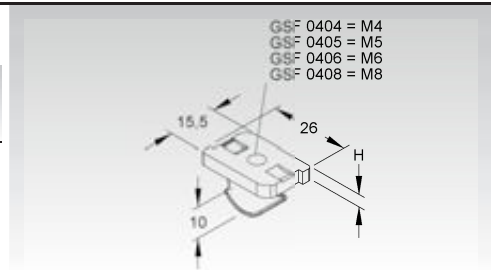
Sloped Sliding Nut

with clamping spring

	Model no.	Thread M	Height H		Weight per 100 pcs	Pack/Box Qty
			mm	Inch		
G	GSF 0406	6	4	0,2	1,04	25

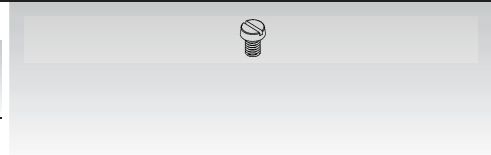
Suitable for: framing channel 2970... (16 mm slotwidth)

Insertable at any position of the framing channel.



Slotted M6 Pan-Head Bolt

	Model no.	Length L		Strength category	Weight per 100 pc.	Pack/Box Qty
		mm	Inch			
V	Z M6X10	10	0,4	4.8	0,39	100

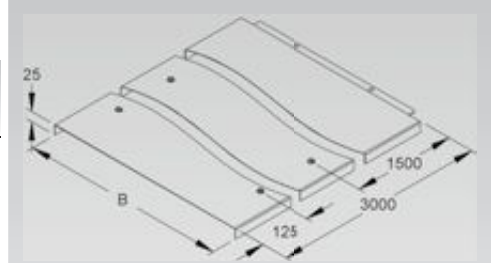


LONG SPAN CABLE LADDER ACCESSORIES

Cover for Long Span Cable Trays/Ladders

with turnbolt locks

	Model no.	Width B		Weight per 100 m kg	Pack/Box Qty
		mm	Inch		
S	WDV 200	204	8	150,90	2 x 3 m
S	WDV 300	304	12	251,77	2 x 3 m
S	WDV 400	404	15,9	358,51	2 x 3 m
S	WDV 450	454	17,9	398,02	2 x 3 m
S	WDV 500	504	19,8	437,54	2 x 3 m
S	WDV 600	604	23,8	516,57	2 x 3 m
S	WDV 900	904	35,6	1.123,33	2 x 3 m
F	WDV 200 F	204	8	165,99	2 x 3 m
F	WDV 300 F	304	12	276,95	2 x 3 m
F	WDV 400 F	404	15,9	394,36	2 x 3 m
F	WDV 450 F	454	17,9	437,83	2 x 3 m
F	WDV 500 F	504	19,8	481,29	2 x 3 m
F	WDV 600 F	604	23,8	568,23	2 x 3 m
F	WDV 900 F	904	35,6	1.235,66	2 x 3 m
E3	WDV 200 E3	204	8	162,33	2 x 3 m
E3	WDV 300 E3	304	12	253,87	2 x 3 m
E3	WDV 400 E3	404	15,9	361,29	2 x 3 m
E3	WDV 500 E3	504	19,8	440,82	2 x 3 m
E3	WDV 600 E3	604	23,8	520,36	2 x 3 m

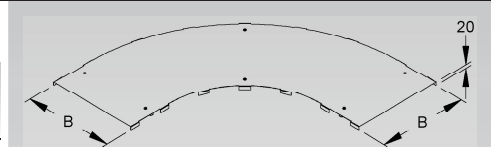


Suitable for: all long span cable trays WRL... as well as all long span cable ladders WSL.../WSLS...
For outdoor service covers need to be secured against wind loads using heavy duty cover clamps or steel cable ties.

Cover for 90° Horizontal Elbow

with turnbolt locks

	Model no.	Inside dimension B		Weight per 100 pcs/ kg	Pack/Box Qty
		mm	Inch		
S	WBRDV 200	204	8	245,01	1
S	WBRDV 300	304	12	376,38	1
S	WBRDV 400	404	15,9	520,08	1
S	WBRDV 450	454	17,9	596,55	1
S	WBRDV 500	504	19,8	676,11	1
S	WBRDV 600	604	23,8	844,47	1
S	WBRDV 900	904	35,6	1.423,52	1
F	WBRDV 200 F	204	8	269,43	1
F	WBRDV 300 F	304	12	413,94	1
F	WBRDV 400 F	404	15,9	572,00	1
F	WBRDV 450 F	454	17,9	656,21	1
F	WBRDV 500 F	504	19,8	743,64	1
F	WBRDV 600 F	604	23,8	928,83	1
F	WBRDV 900 F	904	35,6	1.565,87	1
E3	WBRDV 200 E3	204	8	248,81	1
E3	WBRDV 300 E3	304	12	381,01	1
E3	WBRDV 400 E3	404	15,9	525,63	1
E3	WBRDV 500 E3	504	19,8	682,65	1
E3	WBRDV 600 E3	604	23,8	852,08	1



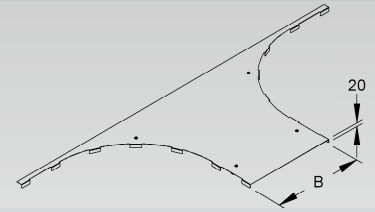
Suitable for: horizontal 90° long span elbows WRBR... and WSRB...
For outdoor service covers need to be secured against windloads using heavy duty cover clamps or steel cable ties.



Cover for Horizontal Extension Tee

with turnbolt locks

Model no.	Inside dimension B mm Inch	Weight per 100 pcs / kg	Pack/ Box Qty
S WTARDV 200	212,5 8,4	258,73	1
S WTARDV 300	312,5 12,3	319,88	1
S WTARDV 400	412,5 16,2	381,03	1
S WTARDV 450	462,5 18,2	411,61	1
S WTARDV 500	512,5 20,2	442,18	1
S WTARDV 600	612,5 24,1	503,34	1
S WTARDV 900	912,5 35,9	686,79	1
F WTARDV 200 F	212,5 8,4	296,17	1
F WTARDV 300 F	312,5 12,3	363,44	1
F WTARDV 400 F	412,5 16,2	430,71	1
F WTARDV 450 F	462,5 18,2	454,42	1
F WTARDV 500 F	512,5 20,2	497,97	1
F WTARDV 600 F	612,5 24,1	565,24	1
F WTARDV 900 F	912,5 35,9	757,12	1
E3 WTARDV 200 E3	212,5 8,4	261,85	1
E3 WTARDV 300 E3	312,5 12,3	323,39	1
E3 WTARDV 400 E3	412,5 16,2	384,93	1
E3 WTARDV 500 E3	512,5 20,2	446,47	1
E3 WTARDV 600 E3	612,5 24,1	508,01	1



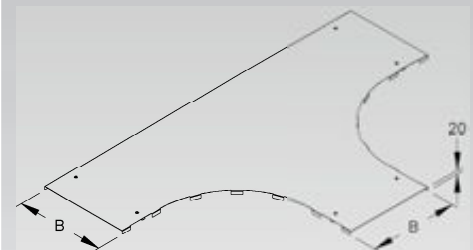
Suitable for: long span extension tee fittings WRTAR... and WSTAR...

For outdoor service covers need to be secured against windloads using heavy duty cover clamps or steel cable ties.

Cover for Horizontal Tee

with turnbolt locks

Model no.	Inside dimension B mm Inch	Weight per 100 pcs / kg	Pack/ Box Qty
S WTRDV 200	204 8	514,69	1
S WTRDV 300	304 12	732,24	1
S WTRDV 400	404 15,9	965,50	1
S WTRDV 450	454 17,9	1.088,01	1
S WTRDV 500	504 19,8	1.214,45	1
S WTRDV 600	604 23,8	1.479,10	1
F WTRDV 200 F	204 8	566,08	1
F WTRDV 300 F	304 12	805,38	1
F WTRDV 400 F	404 15,9	1.061,93	1
F WTRDV 450 F	454 17,9	1.196,81	1
F WTRDV 500 F	504 19,8	1.335,81	1
F WTRDV 600 F	604 23,8	1.626,92	1
E3 WTRDV 200 E3	204 8	520,20	1
E3 WTRDV 300 E3	304 12	739,14	1
E3 WTRDV 400 E3	404 15,9	973,88	1
E3 WTRDV 500 E3	504 19,8	1.224,42	1
E3 WTRDV 600 E3	604 23,8	1.490,75	1



Suitable for: long span tee fittings WRTR... and WSTR...

For outdoor service covers need to be secured against windloads using heavy duty cover clamps or steel cable ties.

Turnbolt Lock

Model no.	Acc. incl.	Weight per 100 pcs / kg	Pack/ Box Qty
S WDRS 20	1 FL 6X12-S V, 1 SMS 6 V	2,25	50
F WDRS 20 F	1 FL 6X12-S E3, 1 SMS 6 E3, 1 US M8 E3	2,64	50
E3 WDRS 20 E3	1 FL 6X12-S E3, 1 SMS 6 E3, 1 US M8 E3	2,53	50

for field installation

