

MARINE CABLE LADDER SYSTEM



- Cable Ladder
- Rungs
- Splice Plates

All straight sections of cable tray as well as their corresponding system components (fittings, splice plates, covers, ...) are classified by UL in accordance with NEMA VE 1 for the USA and CSA C22.1 No. 126.1 for Canada. An 'X' in the part number will be added for labeling according to UL instructions (see catalog page 46).





The Niedax Marine Cable Ladder was originally designed for shipbuilding only. Today the marine ladder is used in many different areas, for example in power plants, refineries, heavy industry and in tunnels. Heavy duty perforated siderails allow welding and/or bolting to support structures. Cables can be banded very easy to the slotted rungs using plastic or stainless steel cable ties.

KLMUL 40...



KLMZLL 40...



KLMUBB 40...



KLMV 40

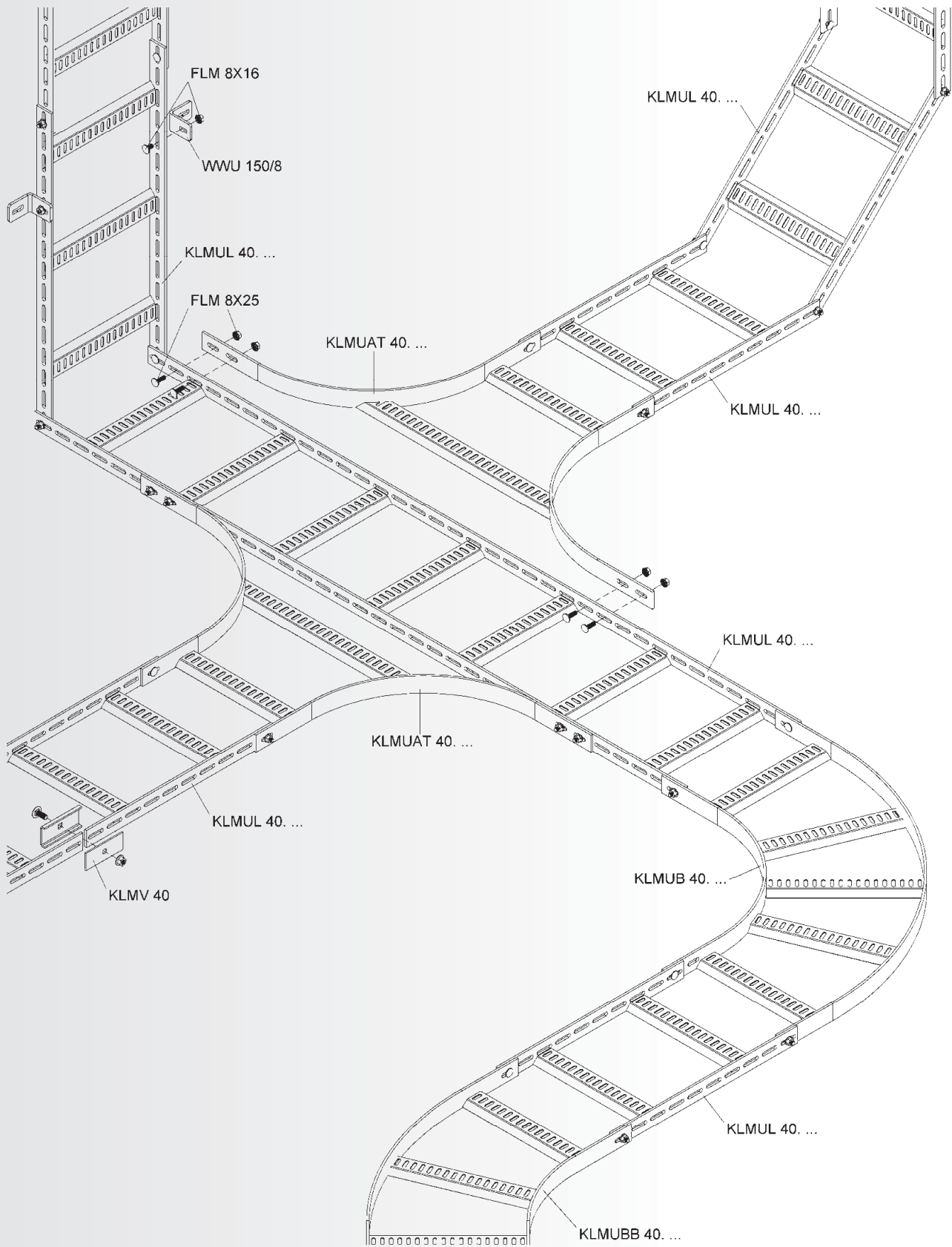


MARINE CABLE LADDER SYSTEM

Available Side Rail Heights

SYSTEM			
	Marine Cable Ladder	KLMUL...	Page 301
	★ Marine Cable Ladder	KLMZLL...	Page 305
ACCESSORIES	Trapeze Rungs	SPM 3000...	Page 301
	Splice Plate	KLMV...	Page 301
	Extension Horizontal Tee	KLMUAT..	Page 302
	Horizontal Elbow 45°	KLMUBB...	Page 302
	Horizontal Elbow 90°	KLMUB...	Page 302
	Slotted Angle Iron	MW 5040/4500 FL	Page 302
	Two Hole Corner Angle	WWU 150/8	Page 303
	Carriage Bolt with Nut	FLM...	Page 303
	★ Marine Ladder Splice Plate	KLMZV...	Page 305
	★ Horizontal Extension Tee	KLMZTAL...	Page 305
	★ Horizontal 45° Elbow	KLMZBBL...	Page 306
	Slotted Angle Iron	MW 5040/4500 FL	Page 306
	Two Hole Corner Angle	WWU 150/8	Page 306
	Carriage Bolt with Nut	FLM...	Page 306





MARINE CABLE LADDER SYSTEM

 **Load/Span Class Designation in accordance with NEMA VE 1 and CSA E22.2 No. 126.1**

NIEDAX Series	Minimum Area		Load class in accordance to NEMA VE 1		
	(calculational) mm ² / in. ²	in accordance to NEMA VE 2 mm ² / in. ²	Rated Load Kg/m / lb./ft.	Support spacing m / ft.	Load/Span Class
KLMULX 40.100 F	315 / 0.49	258 / 0.40	145 / 97.4	2 / 6.6	A
KLMULX 40.150 F	315 / 0.49	258 / 0.40	145 / 97.4	2 / 6.6	A
KLMULX 40.200 F	315 / 0.49	258 / 0.40	145 / 97.4	2 / 6.6	A
KLMULX 40.300 F	315 / 0.49	258 / 0.40	145 / 97.4	2 / 6.6	A
KLMULX 40.400 F	315 / 0.49	258 / 0.40	145 / 97.4	2 / 6.6	A
KLMULX 40.500 F	315 / 0.49	258 / 0.40	145 / 97.4	2 / 6.6	A
KLMULX 40.600 F	315 / 0.49	258 / 0.40	145 / 97.4	2 / 6.6	A
KLMULX 40.700 F	315 / 0.49	258 / 0.40	145 / 97.4	2 / 6.6	A
KLMULX 40.900 F	315 / 0.49	258 / 0.40	145 / 97.4	2 / 6.6	A
KLMULX 40.150 E5	315 / 0.49	258 / 0.40	145 / 97.4	2 / 6.6	A
KLMULX 40.300 E5	315 / 0.49	258 / 0.40	145 / 97.4	2 / 6.6	A
KLMULX 40.600 E5	315 / 0.49	258 / 0.40	145 / 97.4	2 / 6.6	A
KLMZLLX 40.100-300 F	252 / 0.39	129 / 0.20	146 / 98	2 / 6.6	A
KLMZLLX 40.150-300 F	252 / 0.39	129 / 0.20	146 / 98	2 / 6.6	A
KLMZLLX 40.200-300 F	252 / 0.39	129 / 0.20	146 / 98	2 / 6.6	A
KLMZLLX 40.300-300 F	252 / 0.39	129 / 0.20	146 / 98	2 / 6.6	A
KLMZLLX 40.400-300 F	252 / 0.39	129 / 0.20	146 / 98	2 / 6.6	A
KLMZLLX 40.450-300 F	252 / 0.39	129 / 0.20	146 / 98	2 / 6.6	A
KLMZLLX 40.500-300 F	252 / 0.39	129 / 0.20	146 / 98	2 / 6.6	A
KLMZLLX 40.600-300 F	252 / 0.39	129 / 0.20	146 / 98	2 / 6.6	A



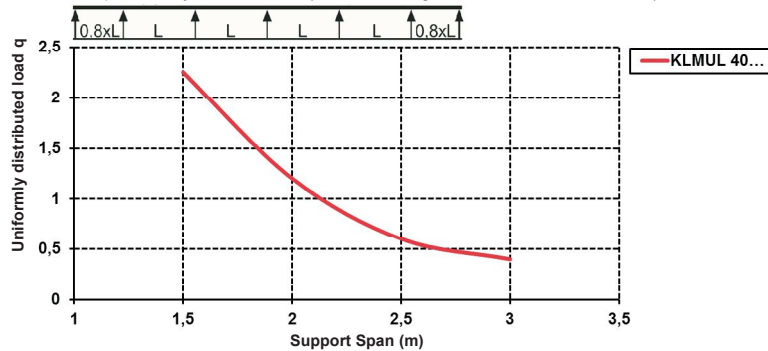
Marine Cable Ladder

with perforated siderail

	Model no.	Height H		Inside width B		Thick-ness t	Weight per 100 m/kg	Pack/Box Qty
		mm	Inch	mm	Inch			
F	KLMUL 40.100 F	40	1,6	100	3,9	5	331,76	3 m
F	KLMUL 40.150 F	40	1,6	150	5,9	5	352,96	3 m
F	KLMUL 40.200 F	40	1,6	200	7,9	5	374,15	3 m
F	KLMUL 40.300 F	40	1,6	300	11,8	5	416,56	3 m
F	KLMUL 40.400 F	40	1,6	400	15,7	5	458,95	3 m
F	KLMUL 40.500 F	40	1,6	500	19,7	5	501,35	3 m
F	KLMUL 40.600 F	40	1,6	600	23,6	5	543,75	3 m
F	KLMUL 40.700 F	40	1,6	700	27,6	5	586,15	3 m
F	KLMUL 40.900 F	40	1,6	900	35,4	5	670,94	3 m
E5	KLMUL 40.150 E5	40	1,6	150	5,9	5	326,18	3 m
E5	KLMUL 40.300 E5	40	1,6	300	11,8	5	384,96	3 m
E5	KLMUL 40.600 E5	40	1,6	600	23,6	5	502,50	3 m

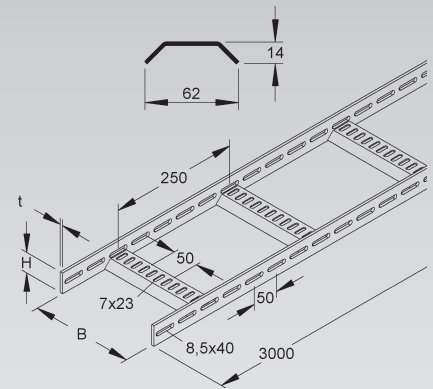
Other sizes are available on request.

Load Chart: q = uniformly distributed load (tested according to DIN EN IEC 61537 standard)



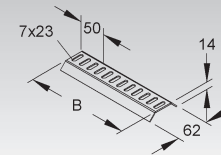
Specified load ratings are independent of splice plate location.

Height 40 mm
Nominal 1 5/8 inches



Trapeze Rungs

	Model no.	Width B		Weight per 100 m/kg	Pack/Box Qty
		mm	Inch		
B	SPM 3000 B	3000	118,1	96,36	3 m
AL	SPM 3000.3 AL	3000	118,1	49,79	3 m
E5	SPM 3000 E5	3000	118,1	97,95	3 m



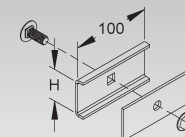
Splice Plate

	Model no.	Height H		Acc. incl.	Weight per 100 pcs/kg	Pack/Box Qty
		mm	Inch			
F	KLMV 40	41	1,6	1 FLM 10x25 F	29,70	20
E5	KLMV 40 E5	41	1,6	1 FLM 10x25 E3	27,68	20

form-locking straight splice plate for cable ladders

2 pieces required per joint

UL classified splice plates ensure electrical continuity and proper bonding.



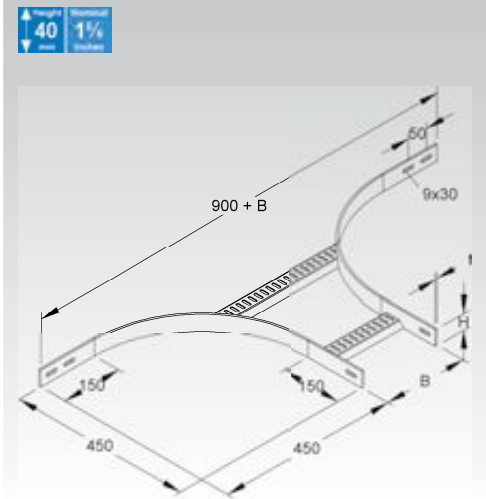
MARINE CABLE LADDER SYSTEM

Extension Horizontal Tee

with integrated splice

	Model no.	Height H		Inside width B		Thick-ness t	Weight per 100 pcs kg	Pack/Box Qty
		mm	Inch	mm	Inch			
F	KLMUAT 40.100 F	40	1,6	100	3,9	5	299,54	1
F	KLMUAT 40.150 F	40	1,6	150	5,9	5	310,10	1
F	KLMUAT 40.200 F	40	1,6	200	7,9	5	320,74	1
F	KLMUAT 40.300 F	40	1,6	300	11,8	5	341,94	1
F	KLMUAT 40.400 F	40	1,6	400	15,7	5	363,14	1
F	KLMUAT 40.500 F	40	1,6	500	19,7	5	384,34	1
F	KLMUAT 40.600 F	40	1,6	600	23,6	5	405,54	1
F	KLMUAT 40.700 F	40	1,6	700	27,6	5	426,73	1
F	KLMUAT 40.900 F	40	1,6	900	35,4	5	469,13	1

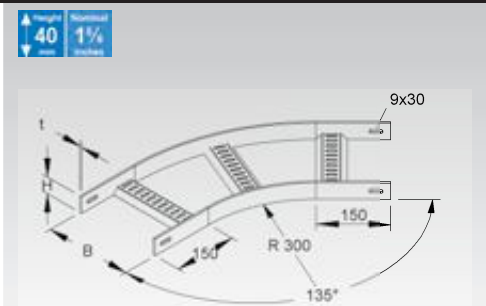
Extension tees can be bolted directly to straight sections of KLMUL 40... ladders.



Horizontal Elbow 45°

with integrated splice

	Model no.	Height H		Inside width B		Thick-ness t	Weight per 100 pcs kg	Pack/Box Qty
		mm	Inch	mm	Inch			
F	KLMUBB 40.100 F	40	1,6	100	3,9	5	227,36	1
F	KLMUBB 40.150 F	40	1,6	150	5,9	5	250,04	1
F	KLMUBB 40.200 F	40	1,6	200	7,9	5	272,72	1
F	KLMUBB 40.300 F	40	1,6	300	11,8	5	318,09	1
F	KLMUBB 40.400 F	40	1,6	400	15,7	5	363,45	1
F	KLMUBB 40.500 F	40	1,6	500	19,7	5	408,80	1
F	KLMUBB 40.600 F	40	1,6	600	23,6	5	454,17	1
F	KLMUBB 40.700 F	40	1,6	700	27,6	5	499,53	1
F	KLMUBB 40.900 F	40	1,6	900	35,4	5	590,26	1

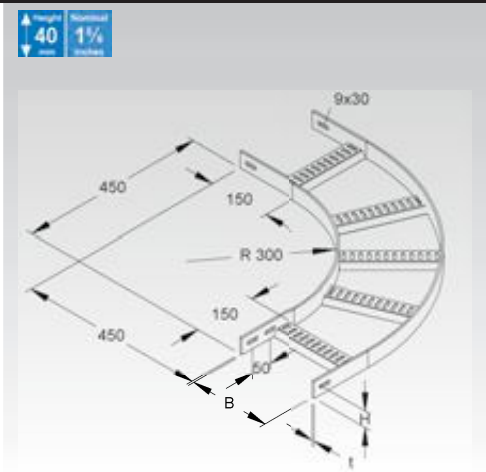


Horizontal Elbow 90°

with integrated splice

	Model no.	Height H		Inside width B		Thick-ness t	Weight per 100 pcs kg	Pack/Box Qty
		mm	Inch	mm	Inch			
F	KLMUB 40.100 F	40	1,6	100	3,9	5	343,77	1
F	KLMUB 40.150 F	40	1,6	150	5,9	5	383,83	1
F	KLMUB 40.200 F	40	1,6	200	7,9	5	423,90	1
F	KLMUB 40.300 F	40	1,6	300	11,8	5	504,02	1
F	KLMUB 40.400 F	40	1,6	400	15,7	5	584,14	1
F	KLMUB 40.500 F	40	1,6	500	19,7	5	664,27	1
F	KLMUB 40.600 F	40	1,6	600	23,6	5	744,39	1
F	KLMUB 40.700 F	40	1,6	700	27,6	5	824,53	1
F	KLMUB 40.900 F	40	1,6	900	35,4	5	984,78	1

Hardware is not included.

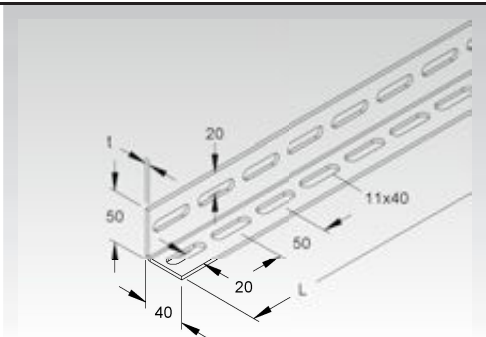


Slotted Angle Iron

asymmetrical heavy-duty profile

	Model no.	Thick-ness t	Length L		Weight per 100 kg	Pack/Box Qty
			mm	Inch		
F	MW 5040/4500 FL	3,5	4500	177,2	974,58	1

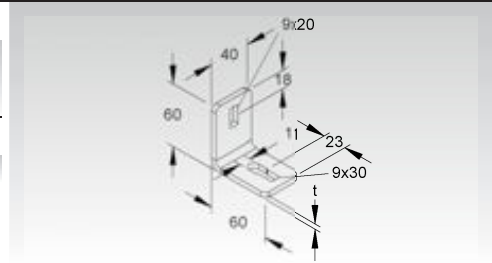
all purpose framing system for electrical and mechanical supports



Two Hole Corner Angle

Model no.	Thick-ness t mm	Acc. incl.	Weight per 100 pcs kg	Pack/Box Qty
F WWU 150/8	5	1 FLM 8X16 F	19,11	50

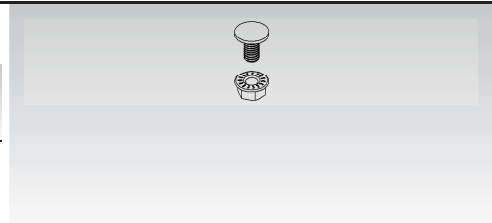
for floor-, ceiling- or wall-mounting



Carriage Bolt with Nut

serrated flange nut included

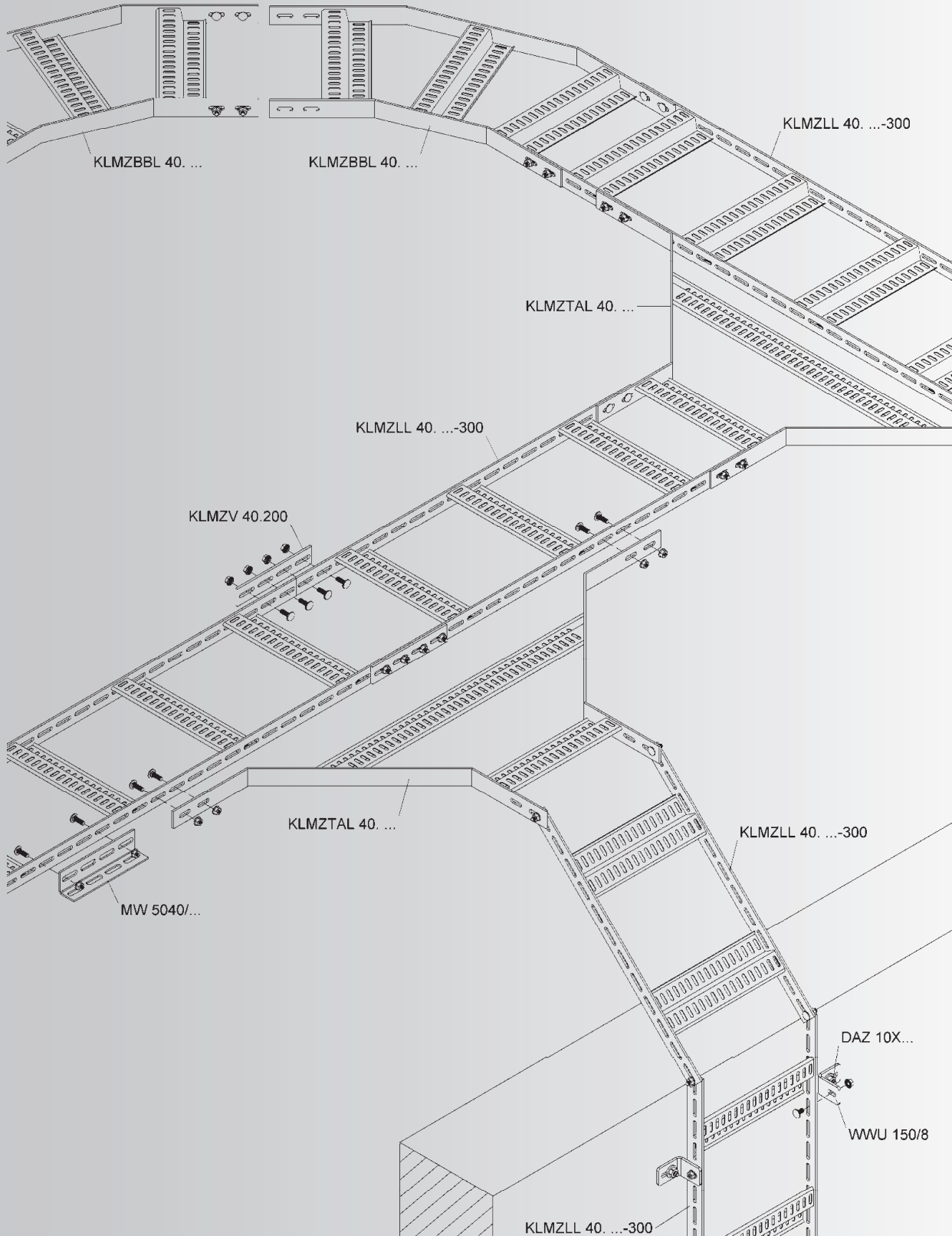
Model no.	Thread M	Length L		Strength category	Weight per 100 pcs kg	Pack/Box Qty
		mm	Inch			
F FLM 8X16 F	8	16	0,6	8.8	2,09	50
F FLM 8X25 F	8	25	1	8.8	2,34	50
F FLM 10X25 F	10	25	1	8.8	4,00	50



MARINE CABLE LADDER SYSTEM

System overview of marine cable ladders with z-shaped rungs

Height	Nominal
40 mm	1 5/8 inches

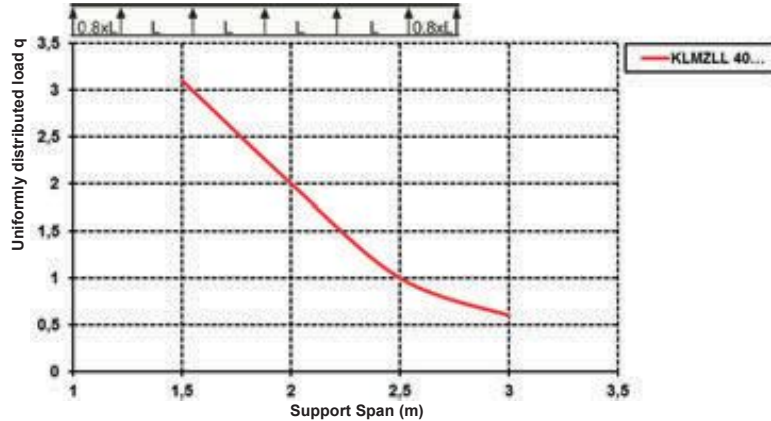


Marine Cable Ladder

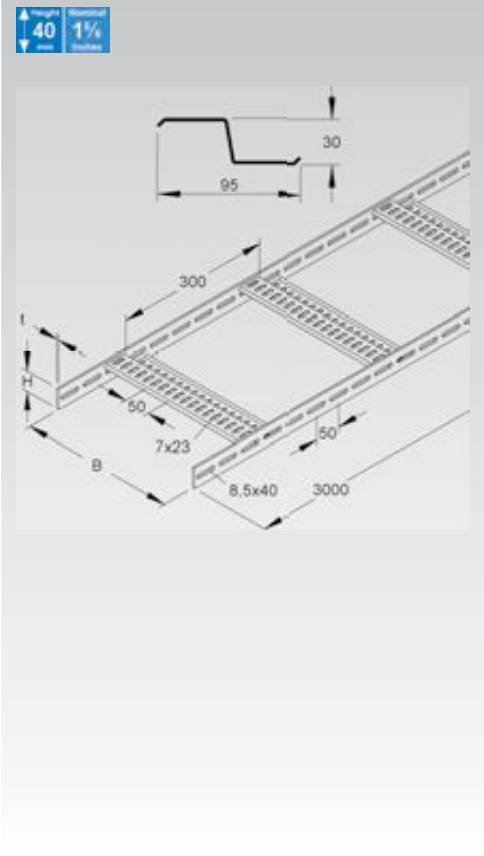
marine cable ladder with perforated side rails and Z-shaped rungs

	Model no.	Height H		Inside width B		Thick-ness t	Weight per 100 kg	Pack/Box Qty
		mm	Inch	mm	Inch			
★	F KLMZLL 40.100-300 F	40	1,6	100	3,9	4	275,52	3 m
★	F KLMZLL 40.150-300 F	40	1,6	150	5,9	4	297,54	3 m
★	F KLMZLL 40.200-300 F	40	1,6	200	7,9	4	319,56	3 m
★	F KLMZLL 40.300-300 F	40	1,6	300	11,8	4	363,59	3 m
★	F KLMZLL 40.400-300 F	40	1,6	400	15,7	4	407,62	3 m
★	F KLMZLL 40.450-300 F	40	1,6	450	17,7	4	429,64	3 m
★	F KLMZLL 40.500-300 F	40	1,6	500	19,7	4	451,66	3 m
★	F KLMZLL 40.600-300 F	40	1,6	600	23,6	4	495,69	3 m

Load Chart: q = uniformly distributed load (tested according to DIN EN IEC 61537 standard)



Specified load ratings are independent of splice plate location.

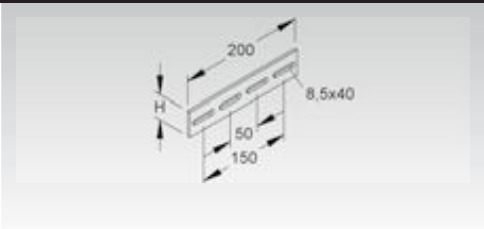


Marine Ladder Splice Plate

	Model no.	Height H		Acc. incl.	Weight per 100 kg	Pack/Box Qty
		mm	Inch			
★	F KLMZV 40.200 F	40	1,6	4 FLM 8X25 F	38,29	1

bolted splice plate for straight horizontal and flexible vertical connections of marine cable ladder segments

2 pieces required per joint



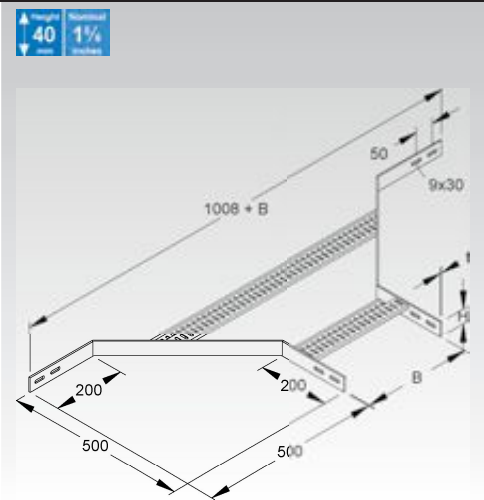
Horizontal Extension Tee

solid siderails with prepunched holes for splice plates, Z-shaped rungs

	Model no.	Height H		Inside width B		Thick-ness t	Weight per 100 kg	Pack/Box Qty
		mm	Inch	mm	Inch			
★	F KLMZTAL 40.100 F	40	1,6	100	3,9	4	300,14	1
★	F KLMZTAL 40.150 F	40	1,6	150	5,9	4	313,35	1
★	F KLMZTAL 40.200 F	40	1,6	200	7,9	4	326,56	1
★	F KLMZTAL 40.300 F	40	1,6	300	11,8	4	352,98	1
★	F KLMZTAL 40.400 F	40	1,6	400	15,7	4	379,40	1
★	F KLMZTAL 40.450 F	40	1,6	450	17,7	4	392,61	1
★	F KLMZTAL 40.500 F	40	1,6	500	19,7	4	405,82	1
★	F KLMZTAL 40.600 F	40	1,6	600	23,6	4	432,24	1

for building horizontal tees and crosses

Hardware not included.



MARINE CABLE LADDER SYSTEM

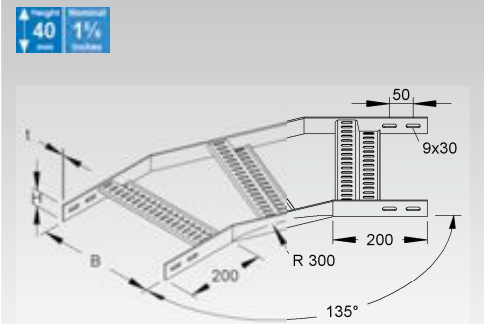
Horizontal 45° Elbow

solid siderails with prepunched holes for splice plates, Z-shaped rungs

Model no.	Height H		Inside width B		Thick-ness t	Weight per 100	Pack/Box Qty
	mm	Inch	mm	Inch			
* F KLMZBBL 40.100 F	40	1,6	100	3,9	4	218,60	1
* F KLMZBBL 40.150 F	40	1,6	150	5,9	4	243,91	1
* F KLMZBBL 40.200 F	40	1,6	200	7,9	4	269,22	1
* F KLMZBBL 40.300 F	40	1,6	300	11,8	4	319,84	1
* F KLMZBBL 40.400 F	40	1,6	400	15,7	4	370,47	1
* F KLMZBBL 40.450 F	40	1,6	450	17,7	4	395,78	1
* F KLMZBBL 40.500 F	40	1,6	500	19,7	4	421,09	1
* F KLMZBBL 40.600 F	40	1,6	600	23,6	4	471,71	1

for building horizontal elbows

Hardware not included.

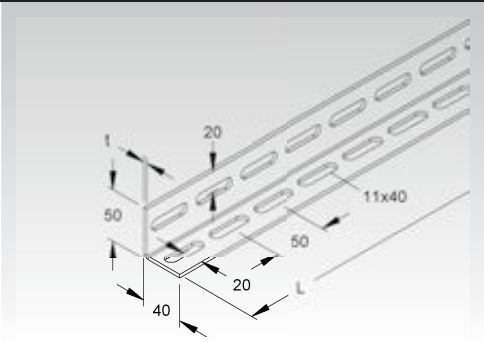


Slotted Angle Iron

asymmetrical heavy-duty profile

Model no.	Thick-ness t	Length L		Weight per 100	Pack/Box Qty
		mm	mm Inch		
F MW 5040/4500 FL	3,5	4500	177,2	974,58	1

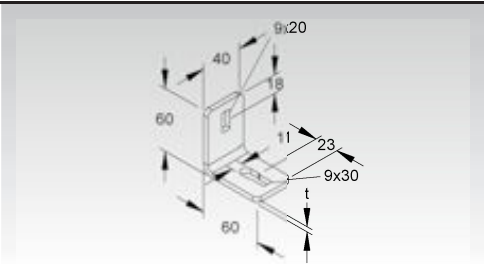
all purpose framing system for electrical and mechanical supports



Two Hole Corner Angle

Model no.	Thick-ness t	Acc. incl.	Weight per 100 pcs	Pack/Box Qty
F WWU 150/8	5	1 FLM 8X16 F	19,11	50

for floor-, ceiling- or wall-mounting



Carriage Bolt with Nut

serrated flange nut included

Model no.	Thread M	Length L		Strength category	Weight per 100 pcs	Pack/Box Qty
		mm	Inch			
F FLM 8X16 F	8	16	0,6	8.8	2,09	50
F FLM 8X25 F	8	25	1	8.8	2,34	50
F FLM 10X25 F	10	25	1	8.8	4,00	50

